

# SPARE PARTS LIST

MODEL NO. DCS9010

ITEM	PART NO.	DESCRIPTION	QTY	NOTE
001	965525060	GASKET	1	
002	010114050	TANK CAP ASSY.(FUEL) INC. 3	1	
003	963228030	O-RING 28	1	
004	965605120	NUT	1	
005	965605400	STOP SWITCH	1	
006	965605131	RUBBER BUSH	1	
007	962900054	RADIAL RING	1	
008	024111621	CRANKCASE,MAG. SIDE	1	
009	965403370	RUBBER BUFFER	1	
010	965525070	GASKET	1	
011	936430160	SPIRAL CLAMPING PIN	2	
012	960102179	BALL BEARING 6203	1	
013	939630370	KEY	1	
014	962210028	NEEDLE CAGE	1	
015	024120022	CRANKSHAFT	1	
016	960102179	BALL BEARING 6203	1	
017	908005205	FILLISTER HEAD SCREW M5X20	4	
018	133132050	PISTON RING	1	
019	133132050	PISTON RING	1	
020	024111071	GUIDE PLATE	1	
021	031132020	PISTON PIN	1	
022	119132060	SPRING RING	2	
023	024132020	PISTON CPL. INC. 18-19	1	
024	024111640	CRANKCASE,CLUTCH SIDE INC. 25-29, 38-39	1	
025	010245010	VENT VALVE, OIL	1	
026	024232030	BOLT	2	
027	963204015	PACKING RING	1	
028	024111100	SAFETY PLATE	1	
029	915735100	SCREW M3.5X10	1	
030	001213170	NUT WITH PIVOT	1	
031	001213160	TENSIONING SCREW	1	
032	915735100	SCREW M3.5X10	1	
033	024250030	SPIKE BAR	1	
034	908006145	FILLISTER HEAD SCREW 6X14	2	
035	024111050	CHAIN CATCH	1	
038	908005305	FILLSTER HEAD SCREW M5X30	7	
039	962900054	RADIAL RING	1	
040	024310100	WRAP AROUND HANDLE ASSY.	1	
041	965551250	POT	1	
042	965403430	RUBBER BUFFER	1	
043	908005165	FILLISTER HEAD SCREW M5X16	1	
044	913455304	SCREW M5.5X30	1	
045	913455304	SCREW M5.5X30	1	
046	913455304	SCREW M5.5X30	2	
047	913455204	FILLISTER HEAD SCREW 5.5X20	2	
048	965404521	GASKET	1	
049	965404700	FUEL LINE	1	
050	963601240	FELT	1	
051	963601120	SUCTION HEAD	1	
052	963232045	PACKING RING	1	
053	965451901	TANK PLUG ASSY.(FUEL) INC. 52	1	
054	024114630	TANK ASSY.(FUEL) INC. 55-64	1	
055	965725041	BOWDEN CABLE	1	
056	957114011	VENT VALVE ASSY.	1	
057	965451750	BUTTON	1	
058	965551160	PRESSURE SPRING	1	

# SPARE PARTS LIST

MODEL NO. DCS9010

ITEM	PART NO.	DESCRIPTION	QTY	NOTE
059	024117020	CATCH LEVER	1	
060	965551150	STOP PIN	1	
061	024117031	SPRING	1	
062	024117010	THROTTLE LEVER	1	
063	935930280	CYLINDRICAL PIN 3X28	1	
064	935930450	CYLINDRICAL PIN	1	
065	965404720	BUSH	4	
066	965403461	RUBBER BUFFER	4	
067	913455204	FILLISTER HEAD SCREW 5.5X20	4	
068	965404740	PLUG	4	
069	908005165	FILLISTER HEAD SCREW M5X16	4	
070	024112630	STARTER ASSY. INC. 71-79	1	
071	928405000	SPRING WASHER	1	
072	965402262	STARTER GRIP	1	
073	985000165	STARTER ROPE	1	
074	980114217	LABEL	1	
075	024112680	FAN HOUSING INC. 74	1	
076	020163031	REWIND SPRING	1	
077	915135100	THREAD FORMING SCREW 3.5X9.5	3	
078	024162084	CABLE DLUM	1	
079	929314100	SNAP RING	1	
080	024112021	AIR DUCT	1	
081	970502110	INSULATING HOSE	1	
082	970310200	IGNITION CABLE 14-1/8"	1	
083	957604260	PLUG CAP CPL. INC. 84	1	
084	965604180	SPRING	1	
085	965603021	SPARK PLUG BPMR7A	1	
086	965401011	RUBBER BUSHING	1	
087	970502050	TUBE	1	
088	908605205	SCREW M5X20	2	
089	024143050	IGNITION COIL	1	
090	031166010	STARTER RATCHET CPL.	2	
091	024141210	FLY WHEEL ASSY. INC. 90	1	
092	920308024	HEXAGONAL NUT M8	1	
093	926208001	SPRING WASHER 8	1	
094	024245100	OIL PUMP ASSY. INC. 95-96	1	
095	957245360	REPAIR KIT	1	
096	963608100	ANGLAR NIPPLE	1	
097	908005125	FILLISTER HEAD SCREW M5X12	2	
098	024245200	OIL SUCTION LINE ASSY. INC. 99-100	1	
099	900005066	DISTANCE RING	1	
100	963601100	SCREEN	1	
101	024213180	HAND PROTECTION INC. 102	1	
102	980114237	LABEL	1	
103	010213021	BRAKING MECHANISM CPL. INC. 104-106	1	
104	927306000	SAFETY WASHER	1	
105	900004364	SPACER	1	
106	927304000	SAFETY WASHER	1	
107	024111061	SPRING GRINDING HEAD	1	
108	024213321	SPRING	1	
109	024213351	BRAKE SPRING	1	
110	965404800	COVER FORM PLATE	1	
111	024213101	PLATE	1	

# SPARE PARTS LIST

MODEL NO. DCS9010

ITEM	PART NO.	DESCRIPTION	QTY	NOTE
112	908005125	FILLISTER HEAD SCREW M5X12	4	
113	010180110	CLUTCH ASSY.	1	
114	024184021	TENSION SPRING	3	
115	024223041	CLUTCH DLUM	1	
116	962210024	NEEDLE CAGE	1	
117	119224070	RIM SPROCKET	1	
118	001224011	DISC	1	
119	021224011	SHIM	1	
120	927308000	SAFETY WASHER	1	
121	024213680	SPROCKET GUARD CPL. INC. 122-129	1	
122	915735100	SCREW M3.5X10	3	
123	024213221	CHAIN GUIDE	1	
124	965404761	RUBBER PLATE	1	
125	024213240	CHAIN GUIDE	1	
126	024213240	CHAIN GUIDE	1	
127	922606000	SAFETY NUT	2	
128	024250030	SPIKE BAR	1	
129	908006145	FILLISTER HEAD SCREW 6X14	2	
130	923208004	HEXAGONAL NUT M8	2	
131	980114739	LABEL DCS9010	1	
132	024173200	NUT	2	
133	024118111	COVER ASSY.	1	
135	980115888	LABEL	1	
136	908305255	SCREW M5X25	3	
137	024118121	HOOD	1	
138	024173200	NUT	2	
139	024173230	AIR FILTER CPL.	1	
140	920205000	HEXAGONAL NUT M5	2	
141	928105000	SAFETY WASHER	2	
142	024173160	HOLDER FOR AIR FILTER	1	
143	024150170	SHEET-METAL HOLDER	1	
144	920205000	HEXAGONAL NUT M5	1	
145	965401011	RUBBER BUSHING	1	
146	965452060	TUBE	1	
147	965401016	RUBBER BUSH	1	
148	024131032	INSERT FOR SUCTION HOSE	1	
149	024118051	ADJUSTING GUIDE	1	
150	908005165	FILLISTER HEAD SCREW M5X16	4	
151	024118032	BOTTOM	1	
152	024150020	CHOKE SHAFT	1	
153	965401021	RUBBER BUSH	1	
154	965401024	RUBBER BUSH	1	
155	965401021	RUBBER BUSH	1	
156	024131022	SUCTION HOSE	1	
157	965603050	CLAMP	1	
158	908605145	FILLISTER HEAD SCREW M5X14	1	
159	024173610	COVER FOR PRE-FILTER	1	
161	024173081	PRE-FILTER	1	
162	024174040	COVER PLATE	1	
163	965525101	GASKET	1	
164	024174153	MUFFLER ASSY.	1	
166	024174171	DEFLECTOR PLATE	1	
167	915142090	SCREW 4.2X9.5	1	
168	024174020	SPECIAL SCREW	3	
169	394150170	SCREW INC. 170-190	4	
170	024150160	PUMP COVER CPL.	1	
171	957150100	SET DIAPHRAGM / GASKETS	1	
172	113150150	PUMP DIAPHRAGM, RUBBER	1	
173	394150180	SCREEN	1	

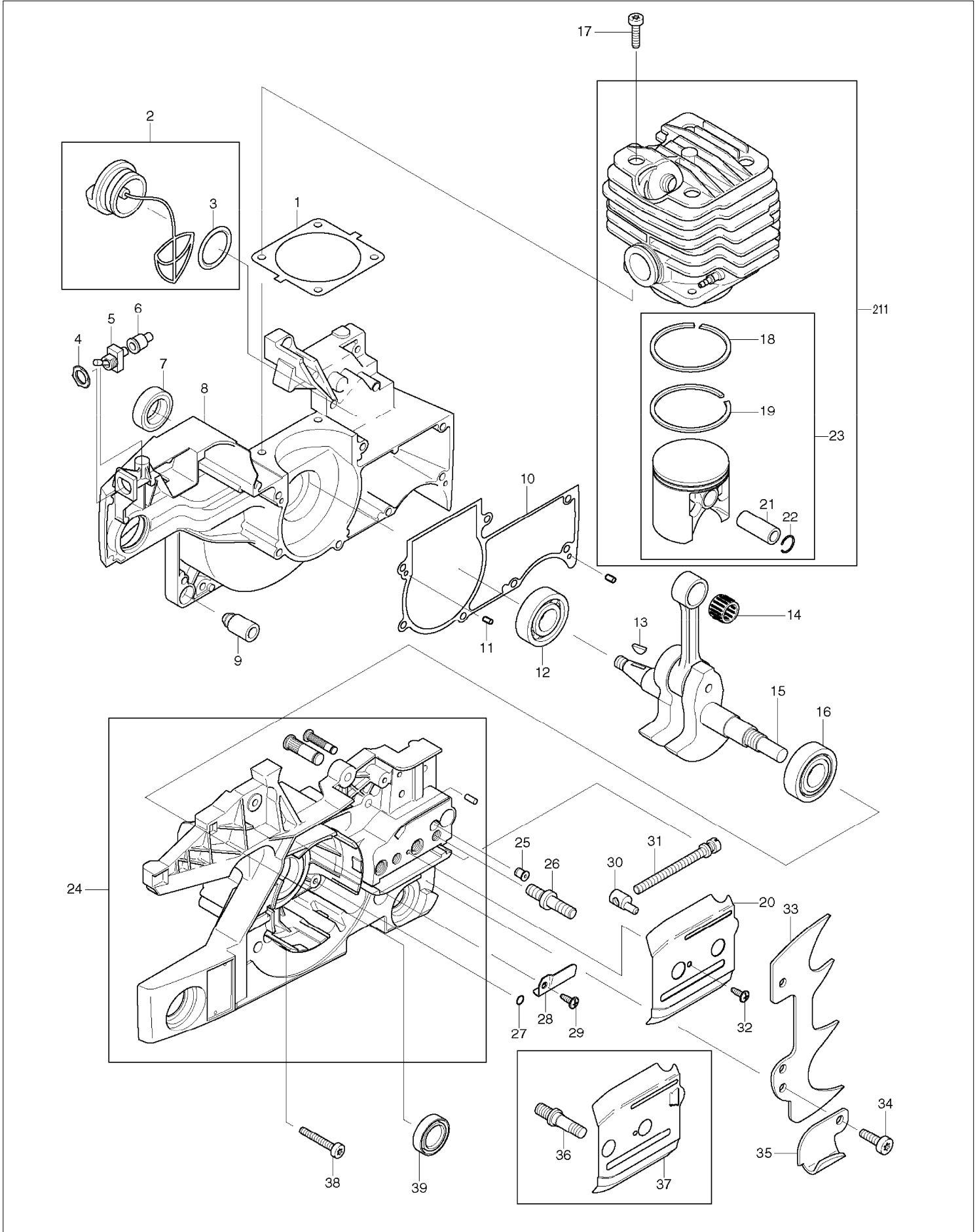
# SPARE PARTS LIST

MODEL NO. DCS9010

ITEM	PART NO.	DESCRIPTION	QTY	NOTE
174	122151400	DISC	1	
175	100150350	SAFETY WASHER	1	
176	001150650	SCREW	1	
177	024150320	THROTTLE SHUTTER	1	
178	024150100	HOLDER FOR BORDEN CABLE	1	
179	024150300	THROTTLE SHAFT	1	
180	024150110	SAFETY WASHER	1	
181	144151315	BUSHING	1	
182	001150310	SPRING	1	
183	144151315	BUSHING	1	
184	001150510	LOCKING BALL	4	
185	394150570	IDLE STOP SCREW(S)	1	
186	394150180	SCREEN	1	
187	394150180	SCREEN	1	
188	113150040	COVER DISC	1	
189	144151480	SPRING	1	
190	101150080	LOCKING SPRING	1	
191	113150380	LOCKING BALL	1	
192	113150261	CHOKE SHUTTER	1	
193	001150650	SCREW	1	
194	957150190	SET OF CONTROL PARTS	1	
196	001150520	SCREW	4	
197	122151121	DIAPHRAGM COVER	1	
198	024150470	IDLE ADJUSTMENT SCREW(L)	1	
199	144151480	SPRING	1	
200	024150510	MAIN ADJUSTMENT SCREW(H)	1	
201	144151480	SPRING	1	
203	024150010	CARBURETOR INC. 169-201	1	
210	001182042	DISC	1	
211	024130300	CYLINDER/PISTON ASSY. INC. 18-23	1	
B01	443050652	SPROCKET NOSE BAR 20"	1	
B02	443050452	SOLID NOSE BAR 20"	1	
B03	528099672	SAW CHAIN 20"	1	
B04	952020660	CHAIN PROT. COVER 21"-24"	1	

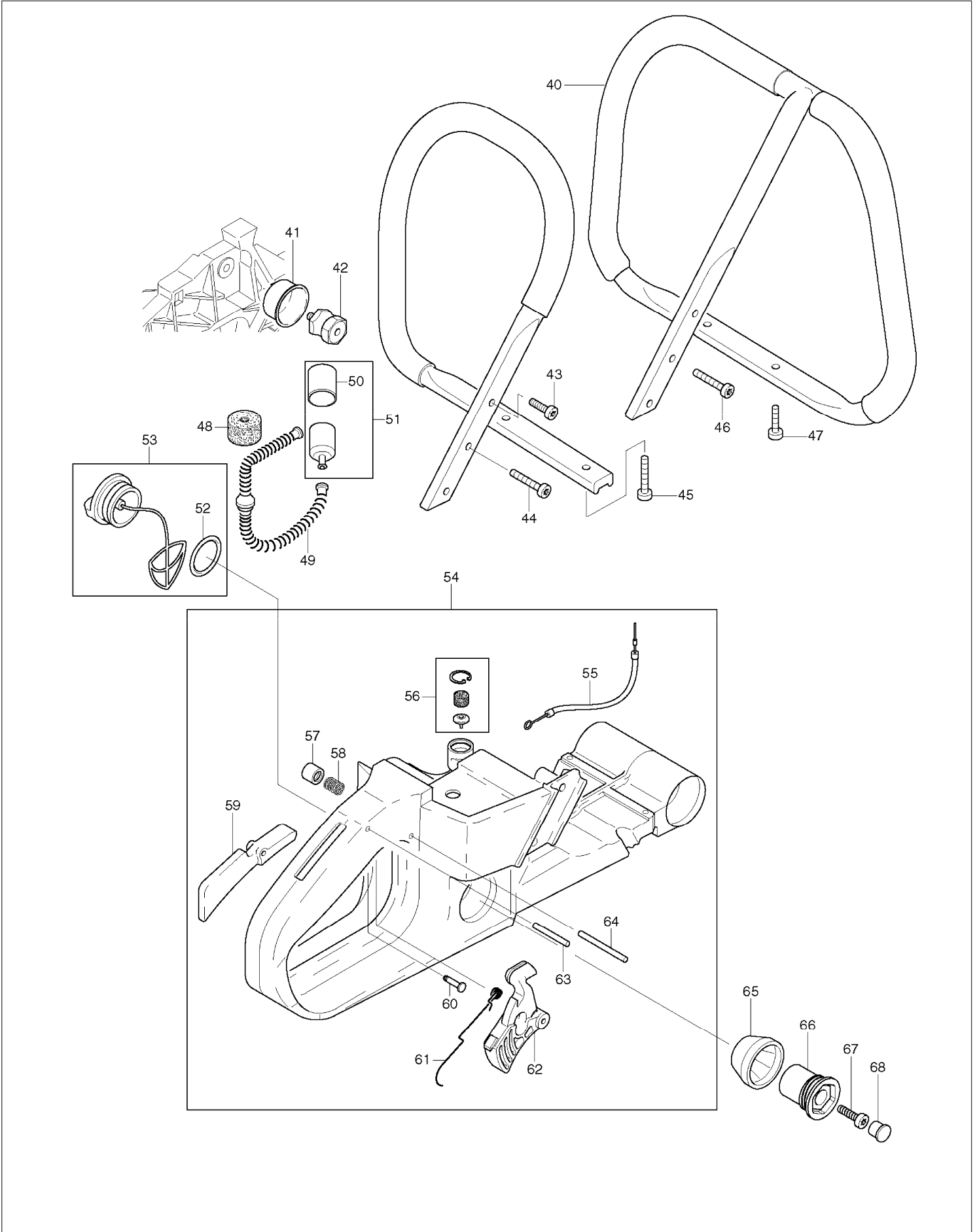
# SERVICE DRAWING

MODEL NO. DCS9010



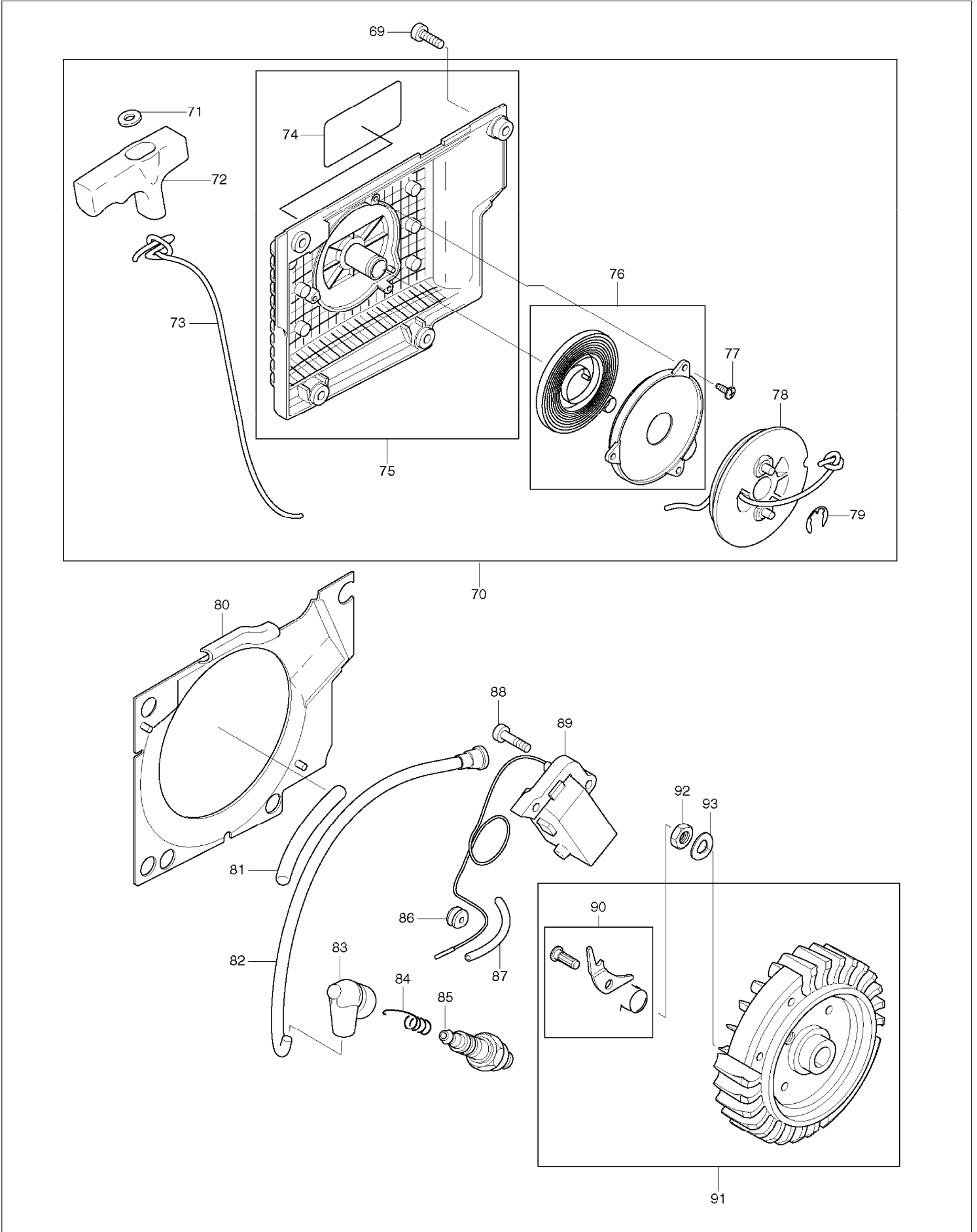
# SERVICE DRAWING

MODEL NO. DCS9010



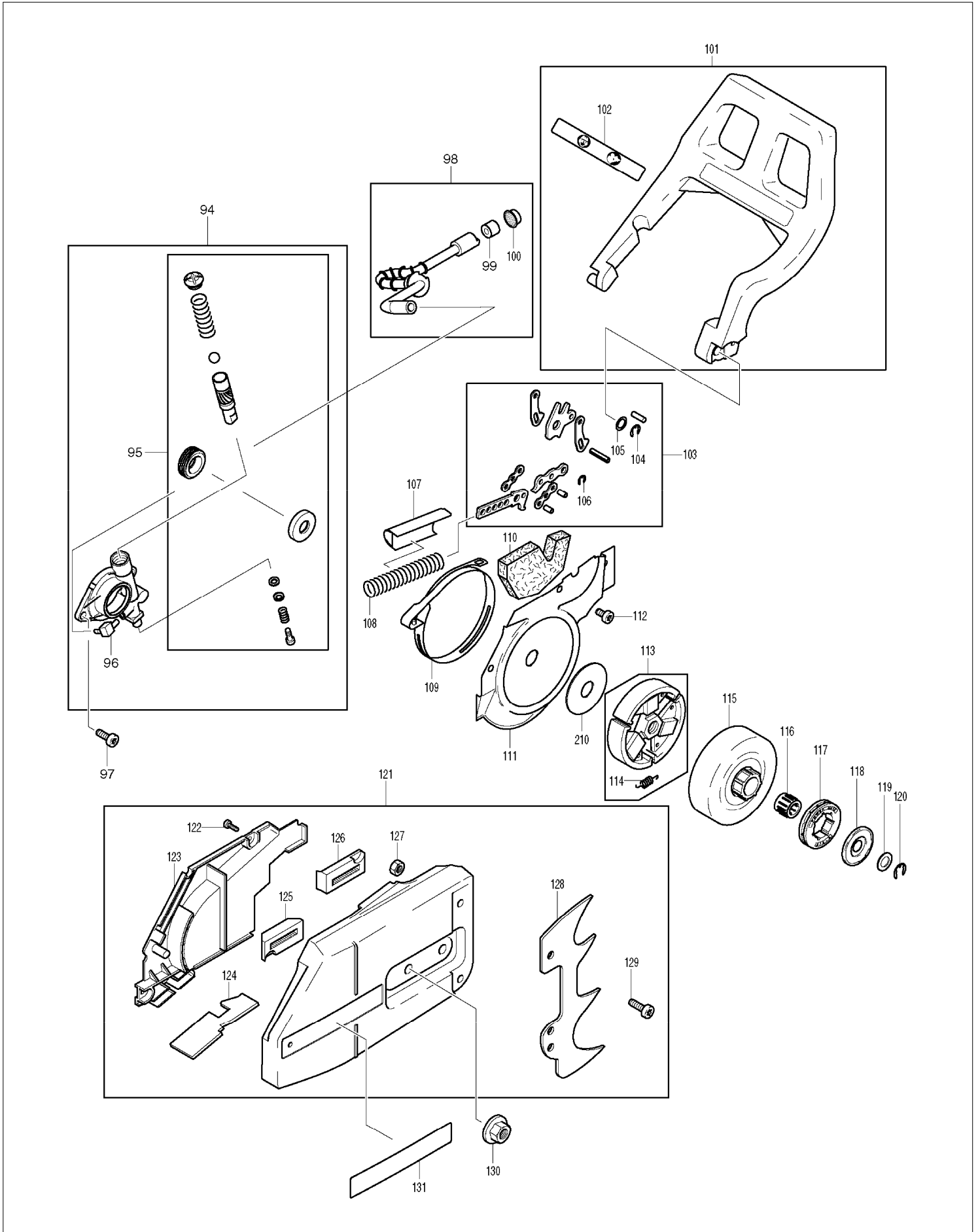
# SERVICE DRAWING

MODEL NO. DCS9010



# SERVICE DRAWING

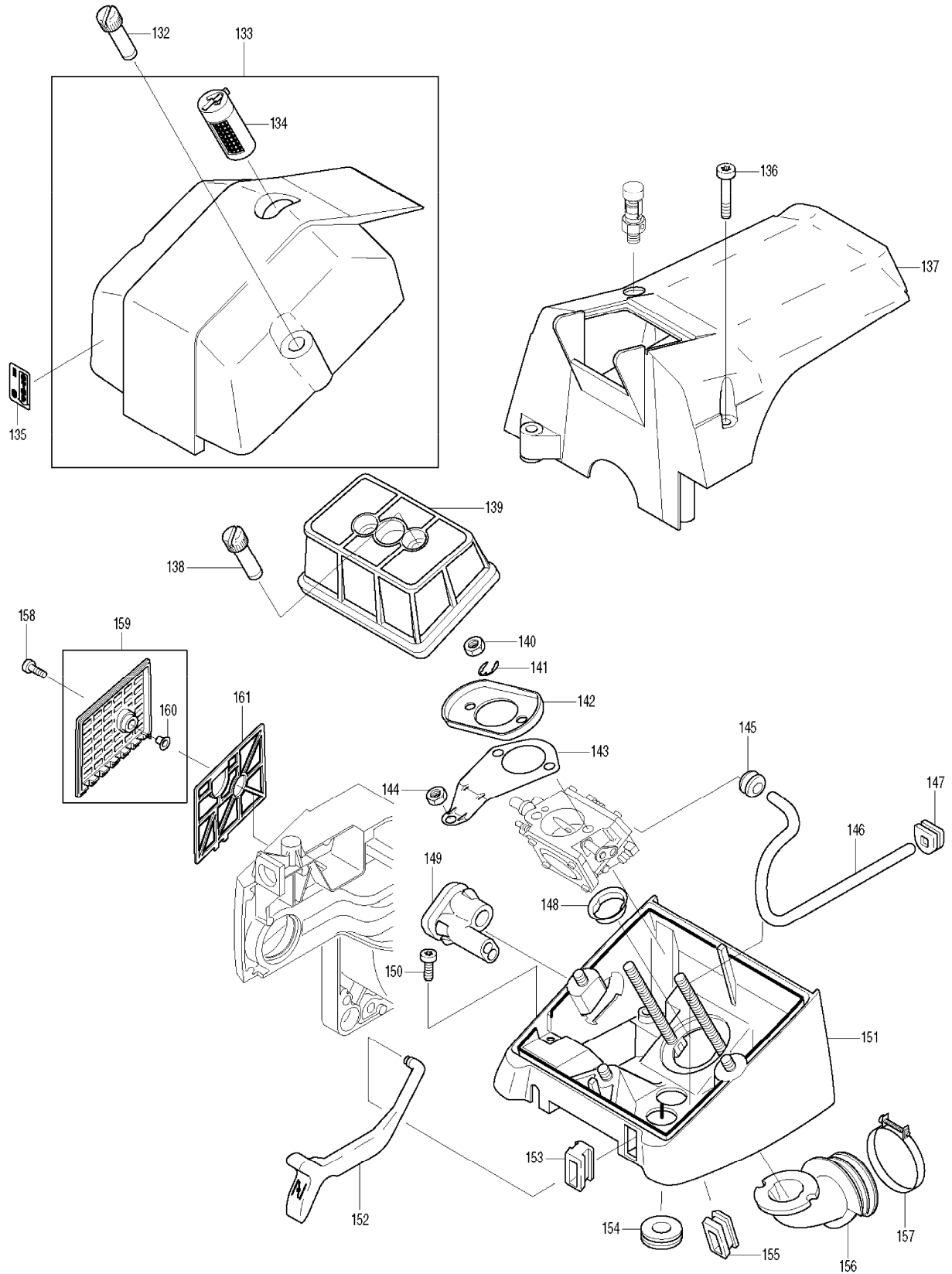
MODEL NO. DCS9010





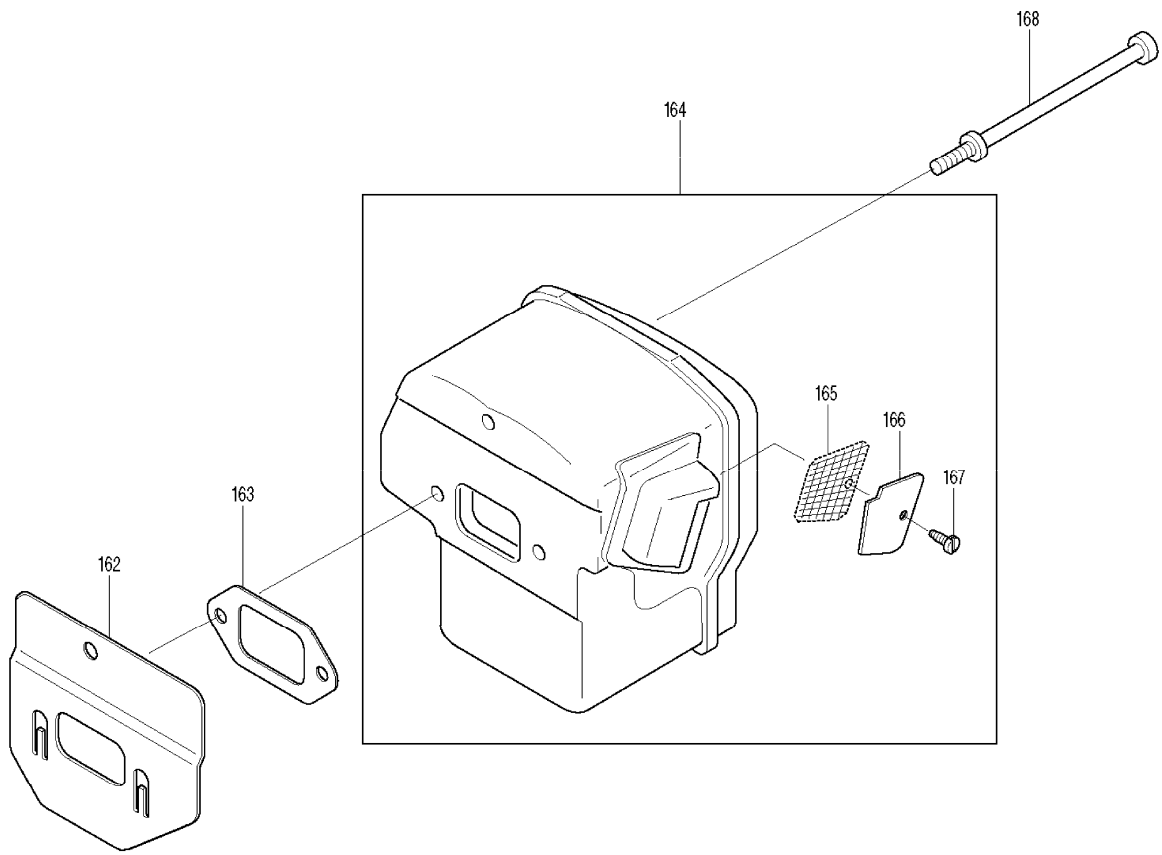
# SERVICE DRAWING

MODEL NO. DCS9010



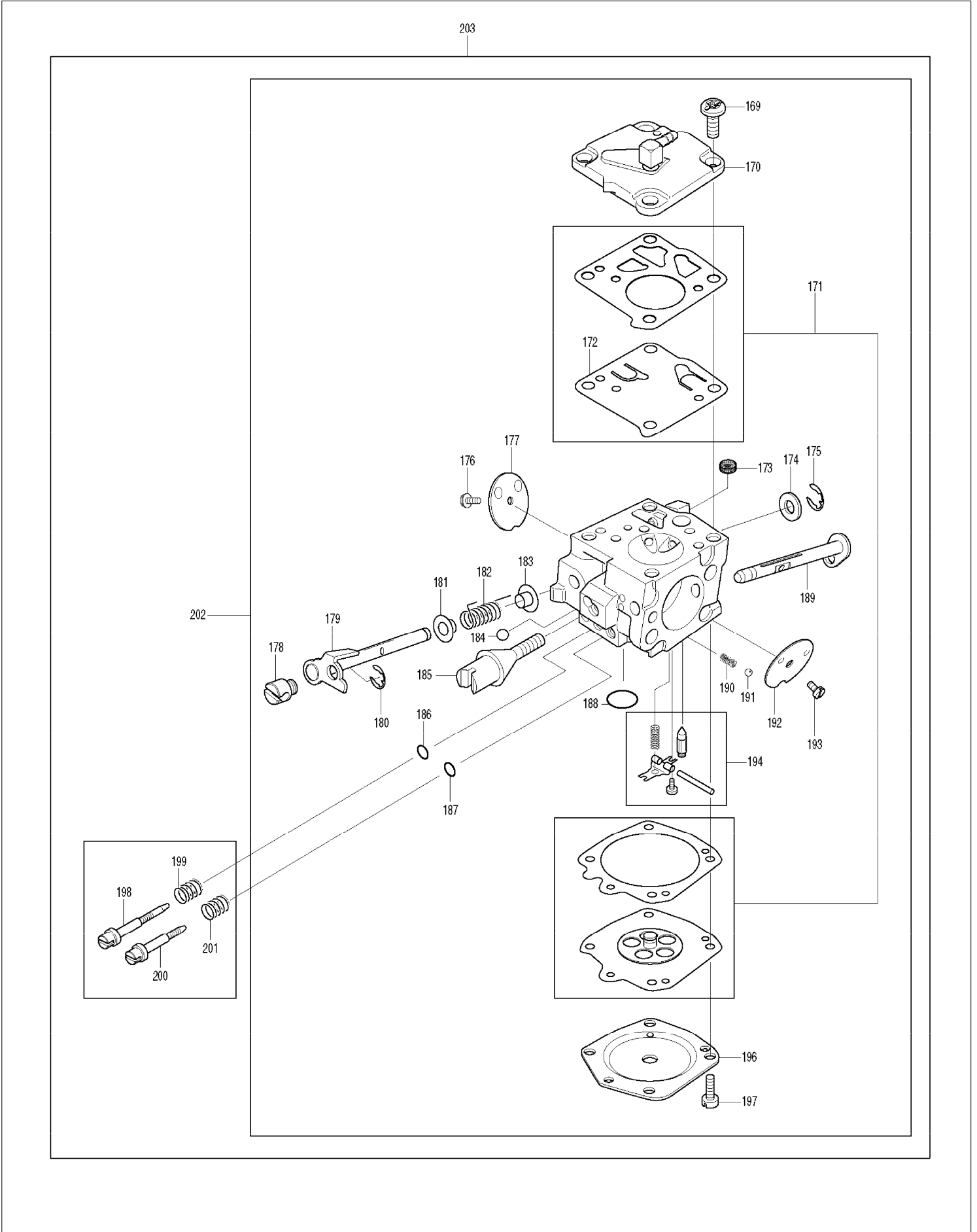
# SERVICE DRAWING

MODEL NO. DCS9010



# SERVICE DRAWING

MODEL NO. DCS9010



# SERVICE DRAWING

MODEL NO. DCS9010

