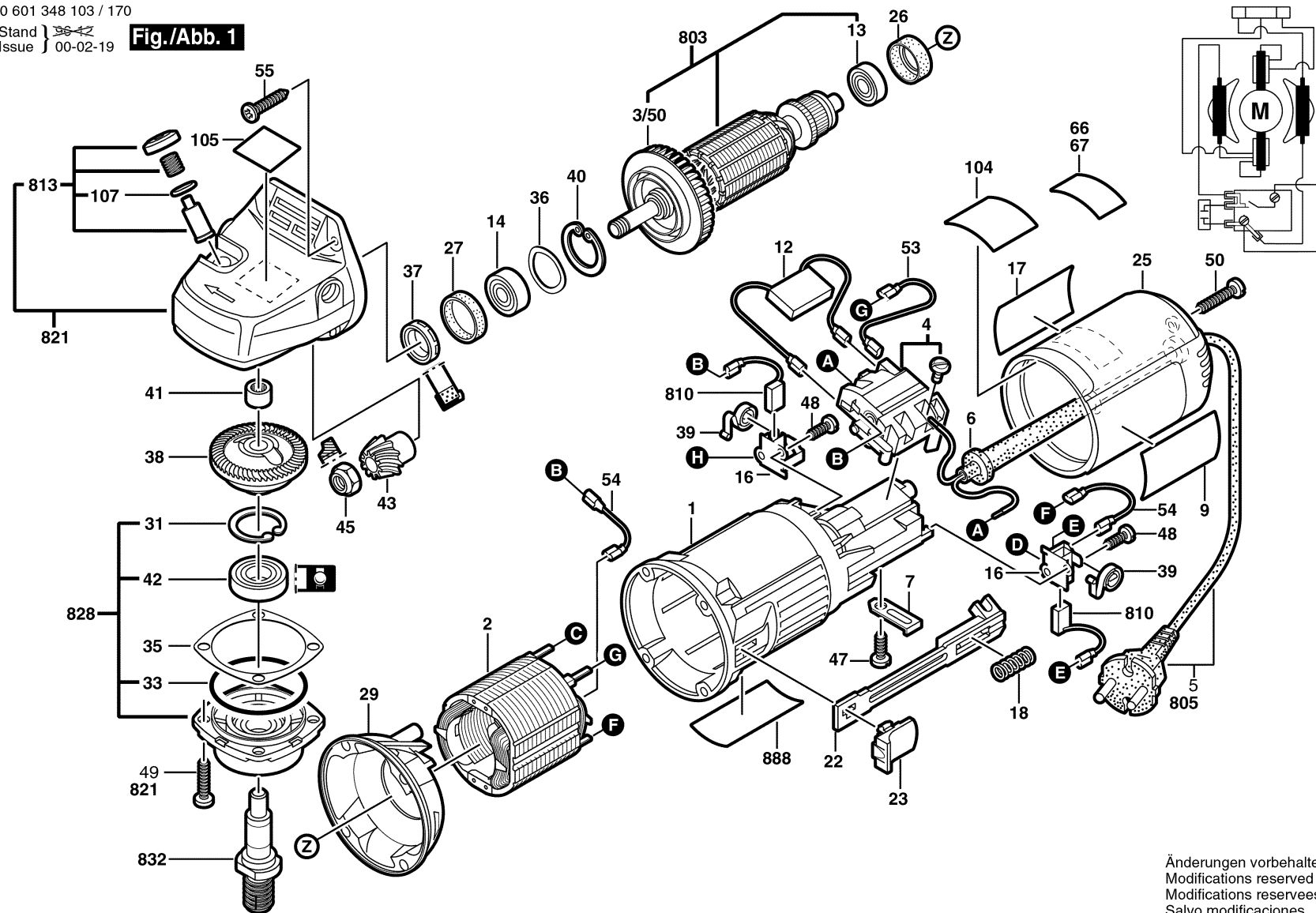


0 601 348 103 / 170

Stand } ~~3~~
Issue } 00-02-19

Fig./Abb. 1

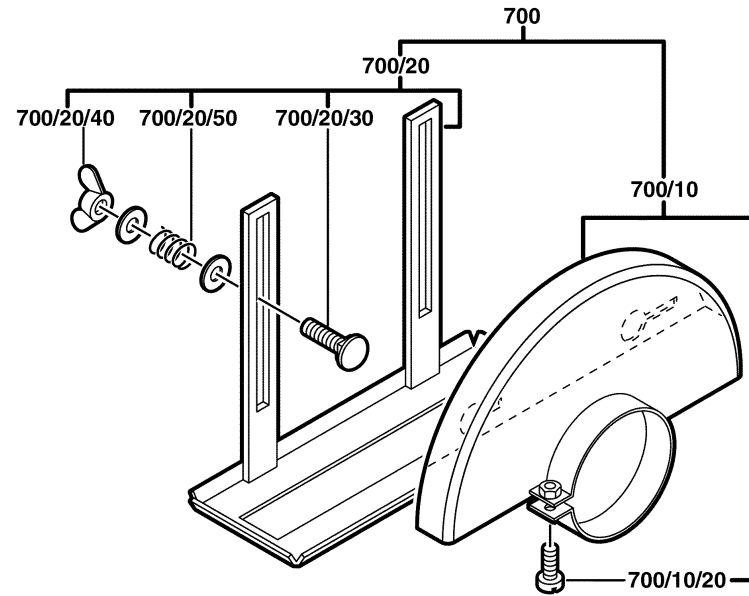
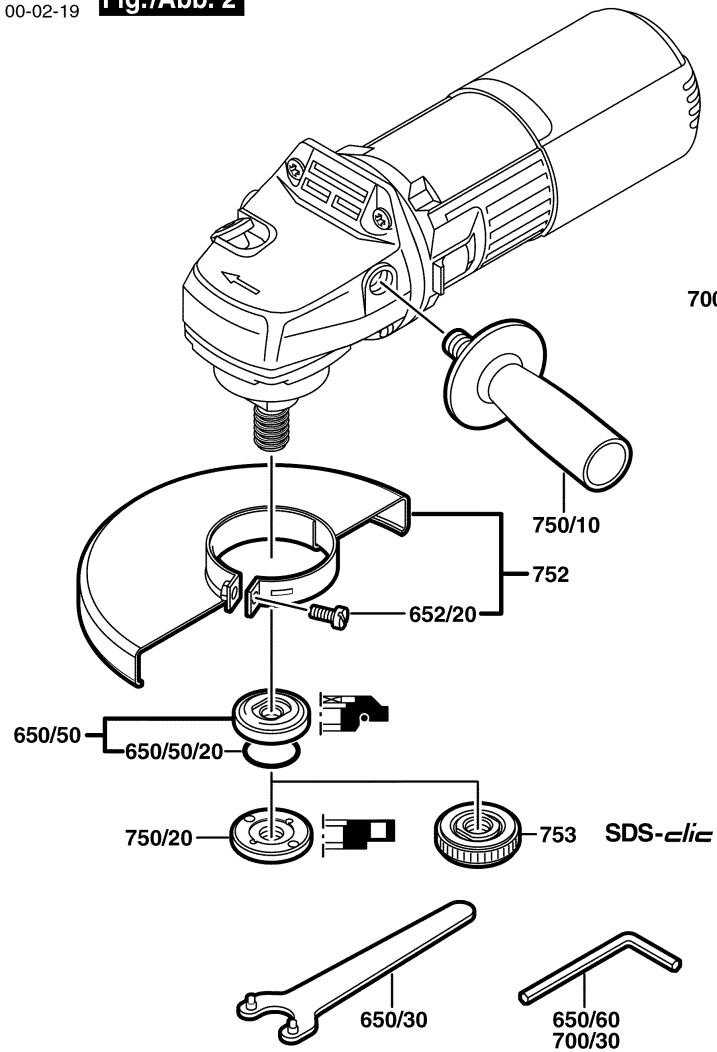


Änderungen vorbehalten
Modifications reserved
Modifications reserves
Salvo modificaciones

0 601 348 103 / 170

Stand } ~~3842~~
Issue } 00-02-19

Fig./Abb. 2



Änderungen vorbehalten
Modifications reserved
Modifications reserves
Salvo modificaciones