

T435

Spare parts

Ersatzteile

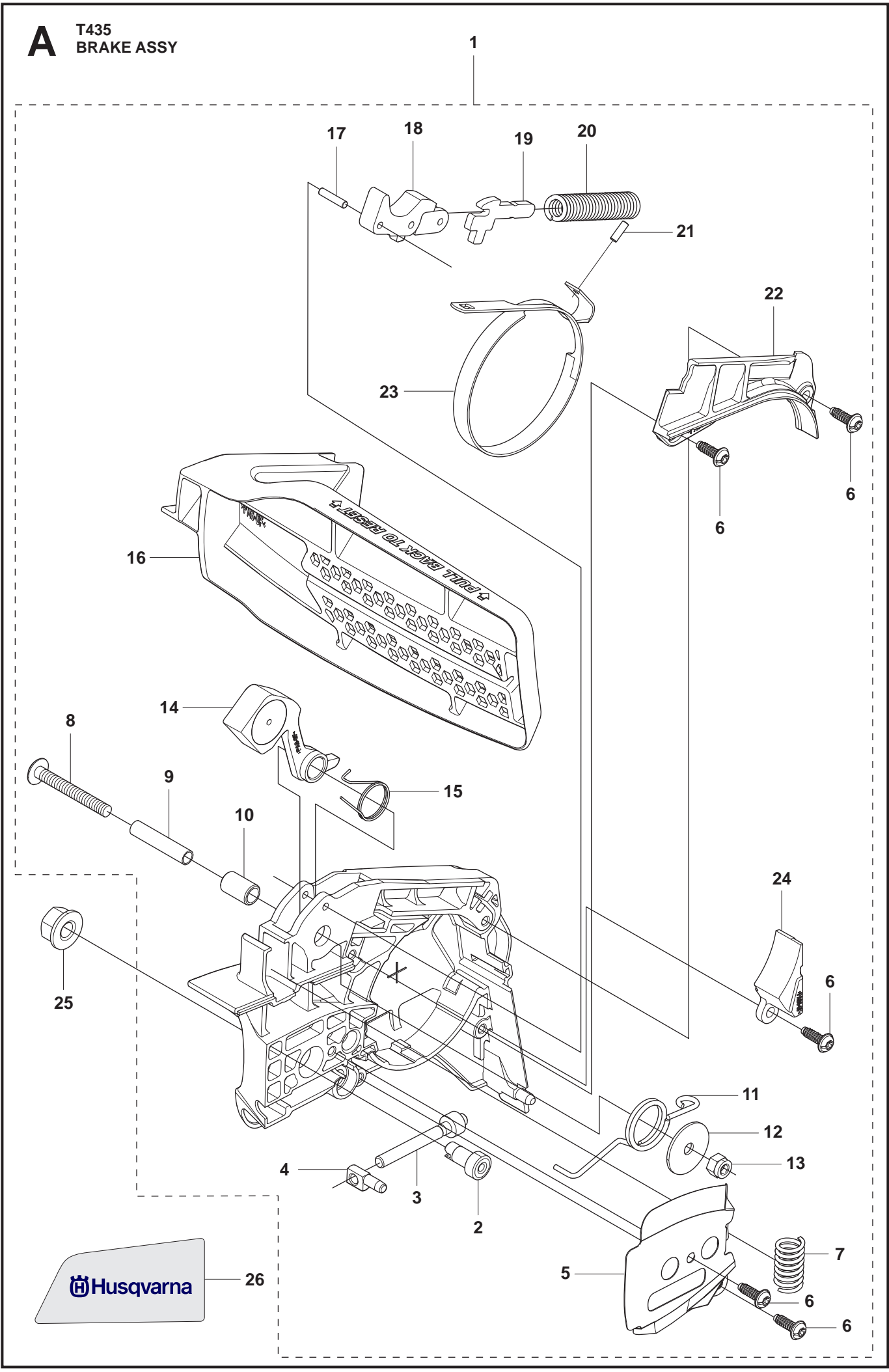
Pièces détachées

Reserve onderdelen

Repuestos

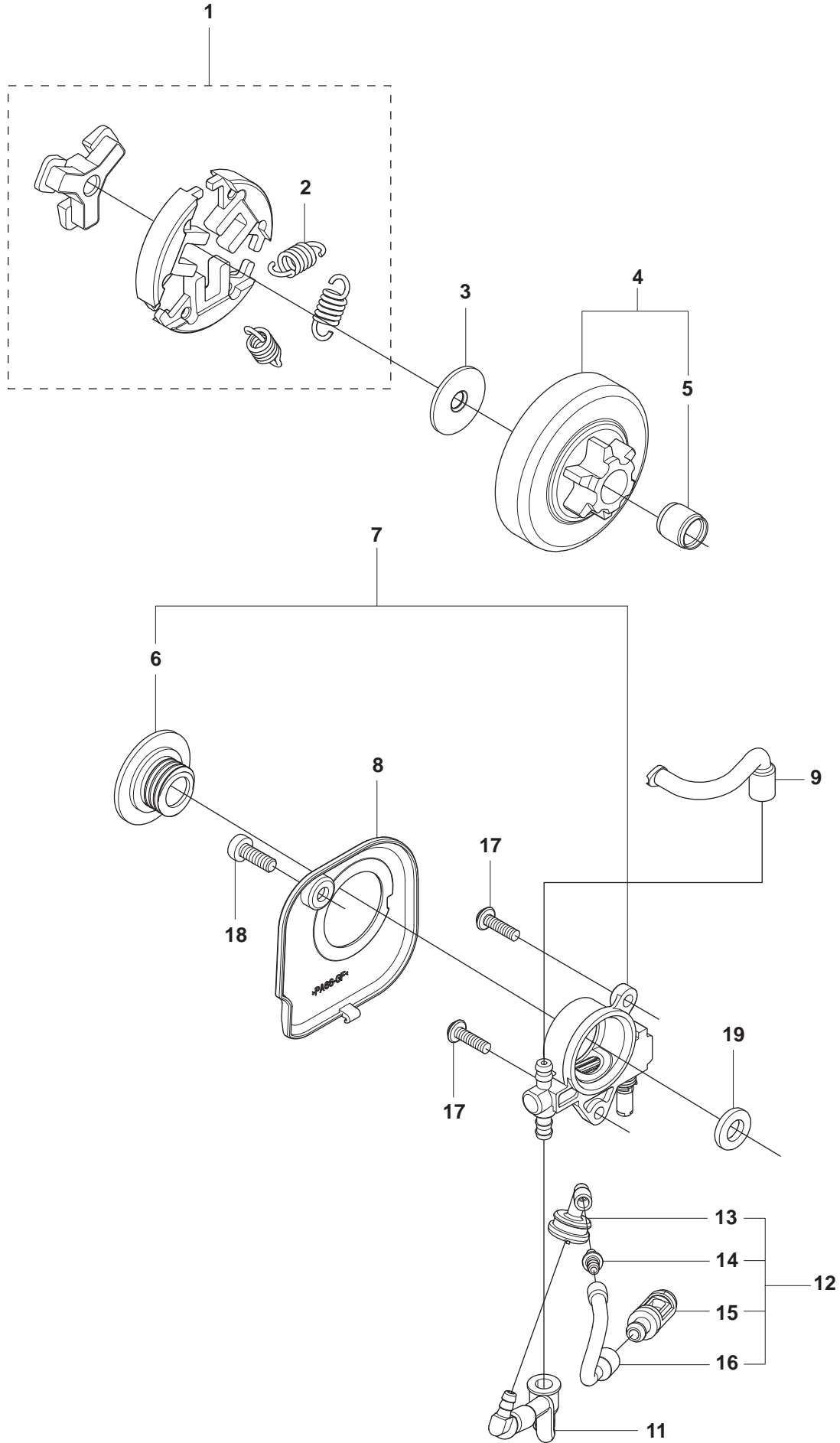
Reservdelar

A T435
BRAKE ASSY



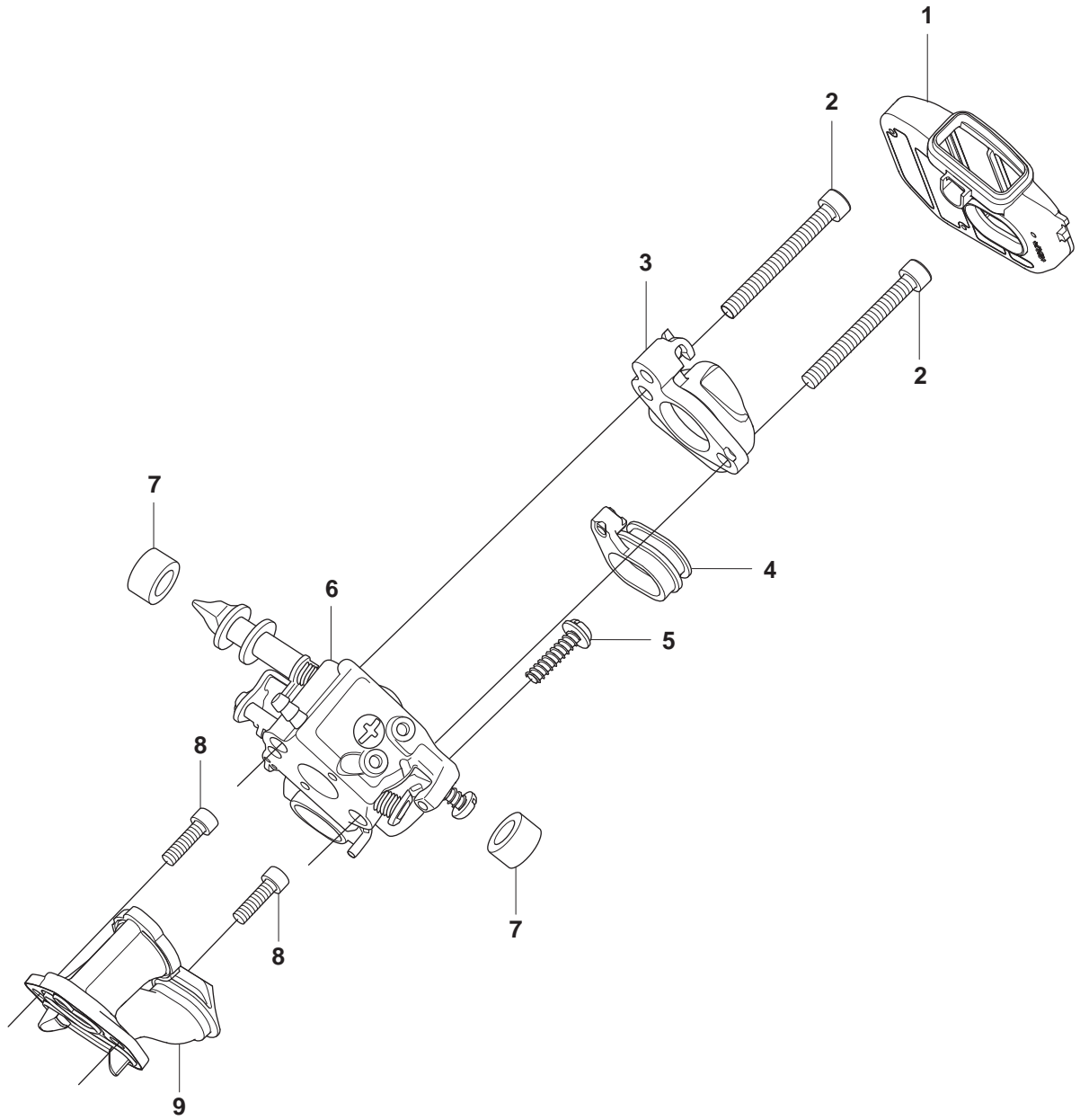
Page A T435 BRAKE ASSY				
Position	Part nr.	Quantity	Description	Kit
1	522 01 38-01	1	Brake assy	
2	516 85 38-01	1	Gear	1
3	516 95 22-01	1	Screw	1
4	516 91 81-01	1	Tension knob	1
5	522 64 33-01	1	Plate	1
6	516 82 72-01	5	Screw	1
7	522 64 32-01	1	Spring	1
8	516 96 75-01	1	Bolt	1
9	516 96 76-01	1	Spacer	1
10	516 96 78-01	1	Spacer	1
11	516 96 74-01	1	Spring	1
12	521 02 54-01	1	Washer	1
13	520 96 86-01	1	Nut	1
14	522 63 98-01	1	weight	1
15	516 98 84-01	1	Spring	1
16	522 01 57-01	1	Hand guard	1
17	516 97 67-01	1	Pin	1
18	516 97 64-01	1	Lever	1
19	516 82 56-01	1	Arm	1
20	516 82 66-01	1	Spring	1
21	521 07 54-01	1	Pin	1
22	522 01 54-01	1	Brake cover	1
23	521 80 11-01	1	Brake band	1
24	523 08 06-01	1	Guide	1
25	503 22 00-01	1	Nut	
26	522 63 52-01	1	Decal, clutch cover	

B T435
CLUTCH ASSY
OIL PUMP ASSY



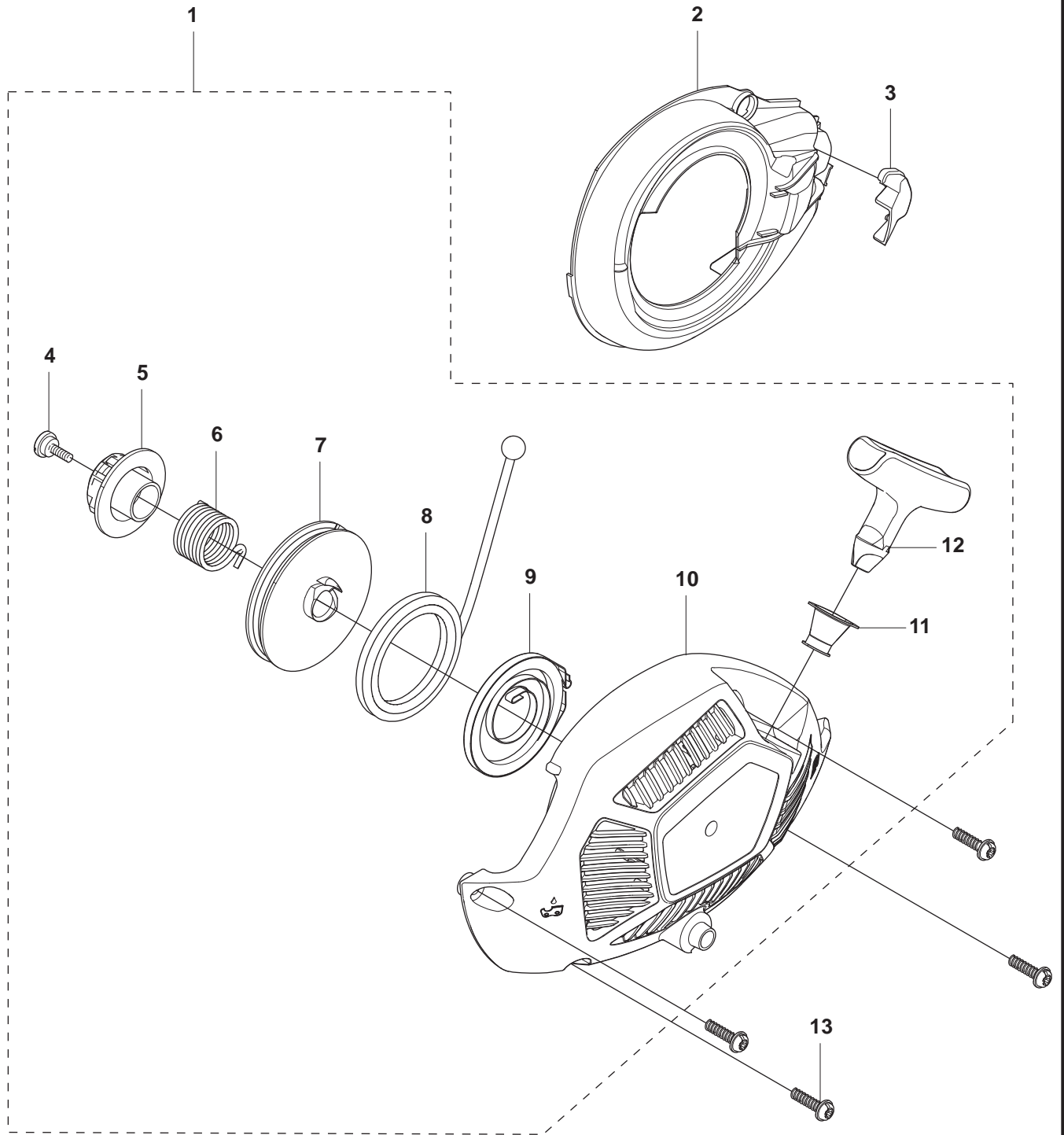
Page B		T435		CLUTCH ASSY, OIL PUMP ASSY	
Position	Part nr.	Quantity	Description	Kit	
1	521 55 74-01	1	Clutch assy		
2	521 55 75-01	3	Clutch spring	1	
3	521 77 94-01	1	Plate		
4	523 08 26-01	1	Clutch drum 3/8 6T		
5	520 96 73-01	1	Bearing	4	
6	505 05 31-01	1	Worm wheel	7	
7	505 05 29-01	1	Oil pump assy		
8	522 00 58-01	1	Cover oil pump		
9	521 79 26-01	1	Oil hose		
11	522 64 36-01	1	Oil hose assy		
12	522 64 37-01	1	Oil filter assy		
13	522 64 40-01	1	Oil pipe	12	
14	516 95 03-01	1	Joint	12	
15	521 58 00-01	1	Filter	12	
16	522 63 96-01	1	Oil hose	12	
17	516 82 94-01	2	Screw		
18	521 51 62-01	1	Screw		
19	522 63 89-01	1	Washer		

C T435
INTAKE



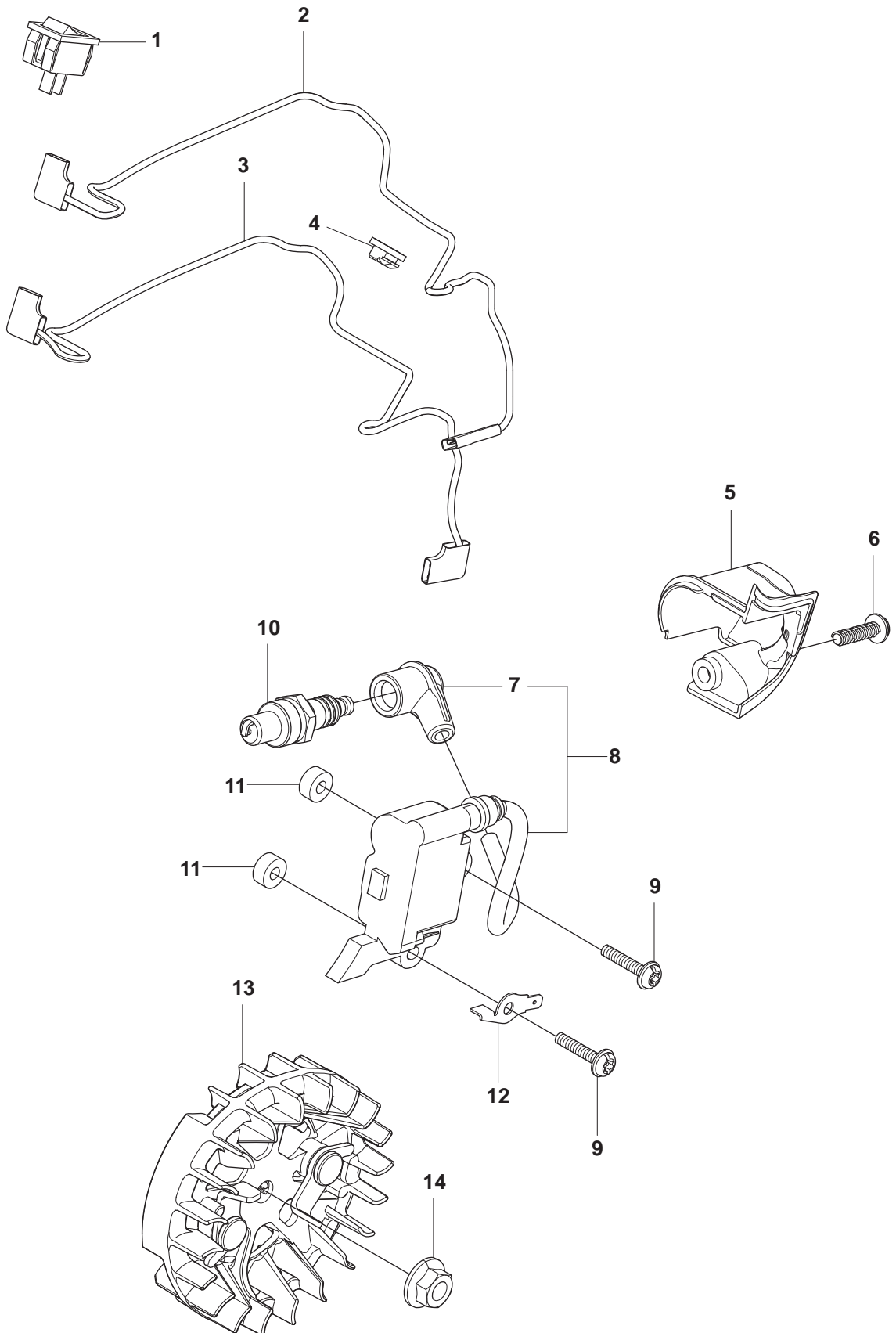
Position	Part nr.	Quantity	Description	Kit
1	522 64 70-01	1	Airfilter	
2	522 63 87-01	2	Bolt	
3	522 64 69-01	1	manifold	
4	522 64 72-01	1	Seal	
5	521 51 81-01	1	Screw	
6	522 00 76-01	1	Carburettor	
7	516 82 86-01	2	Seal	
8	522 63 85-01	2	Bolt	
9	522 64 06-01	1	Inlet	

D T435
STARTER ASSY



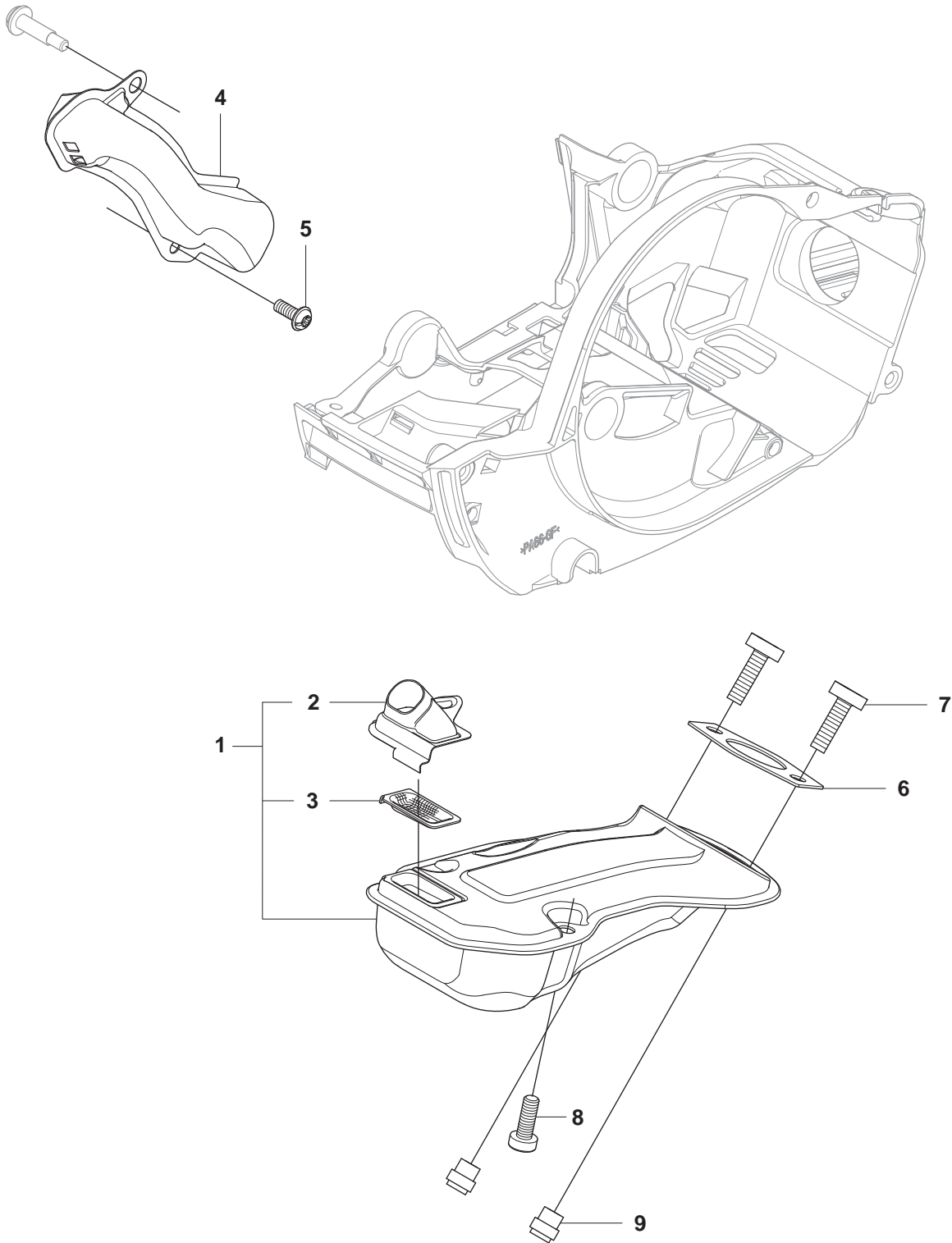
Position	Part nr.	Quantity	Description	Kit
1	522 01 25-01	1	Starter assy	
2	522 64 47-01	1	Cover flywheel	
3	522 64 55-01	1	Guide	
4	521 32 68-01	1	Screw	1
5	522 64 54-01	1	Cam, plate	1
6	522 64 53-01	1	Spring	1
7	522 64 50-01	1	Reel	1
8	522 64 51-01	1	Rope	1
9	522 64 49-01	1	Starter spring	1
10	522 01 26-01	1	Starter case	1
11	522 66 98-01	1	Rope guide	1
12	537 23 25-01	1	Starter handle	1
13	521 51 81-01	4	Screw	
14	522 63 51-01	1	Decal, startercover	

E T435
ROTOR ASSY
MODULE ASSY



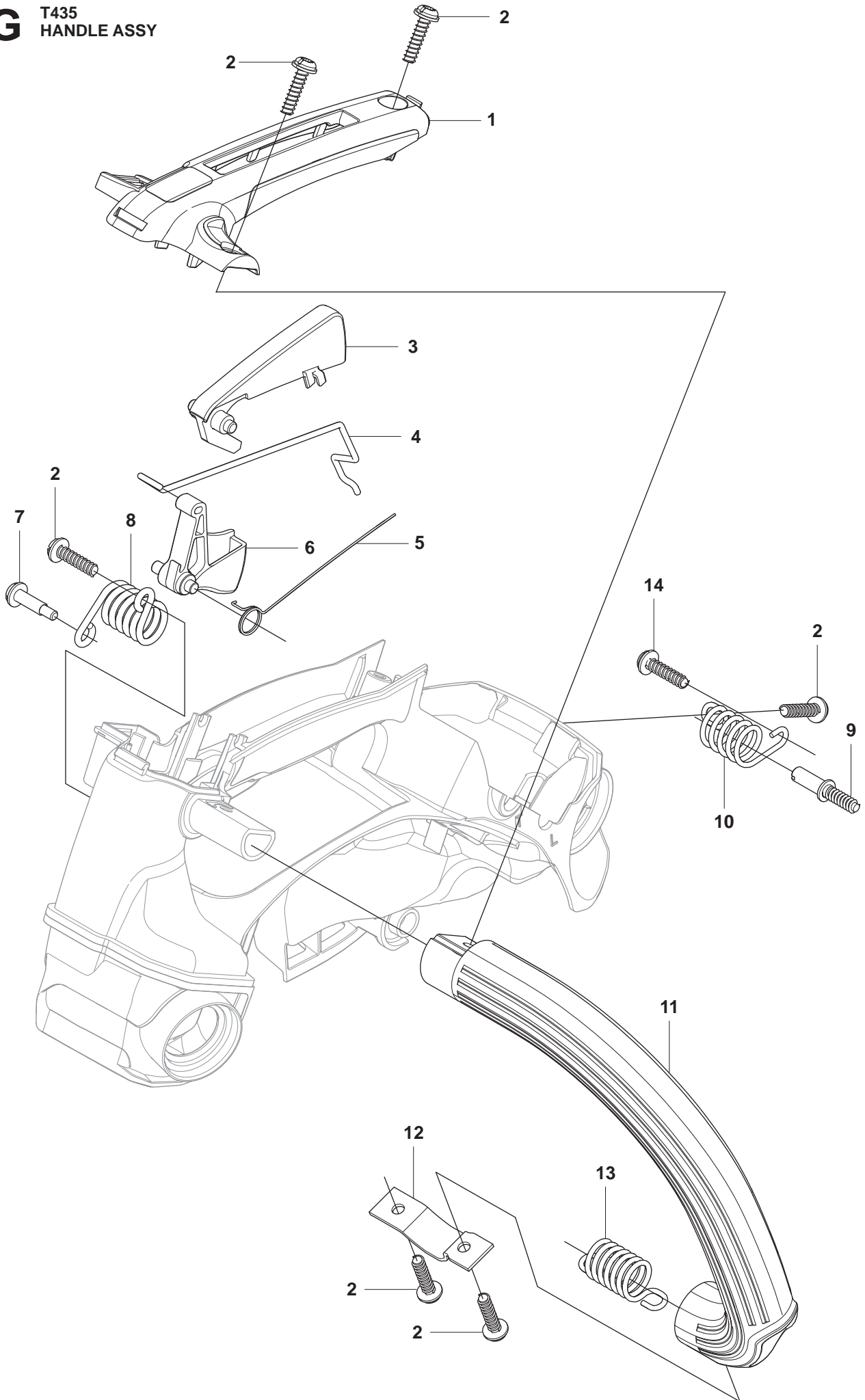
Position	Part nr.	Quantity	Description	Kit
1	516 97 04-01	1	Stop switch	
2	522 64 45-01	1	Cable	
3	522 64 46-01	1	Cable, earth	
4	522 64 43-01	1	Grommet	
5	522 00 98-01	1	Cover, sparkplug	
6	521 51 81-01	1	Screw	
7	523 08 28-01	1	Cap	8
8	522 64 42-01	1	Ignition assy	
9	522 63 84-01	2	Bolt, torx	
10	506 61 51-01	1	Spark plug	
11	505 04 34-01	2	Spacer	
12	522 64 44-01	1	Terminal	
13	522 64 41-01	1	Flywheel	
14	516 43 74-01	1	Nut	

F T435
MUFFLER ASSY



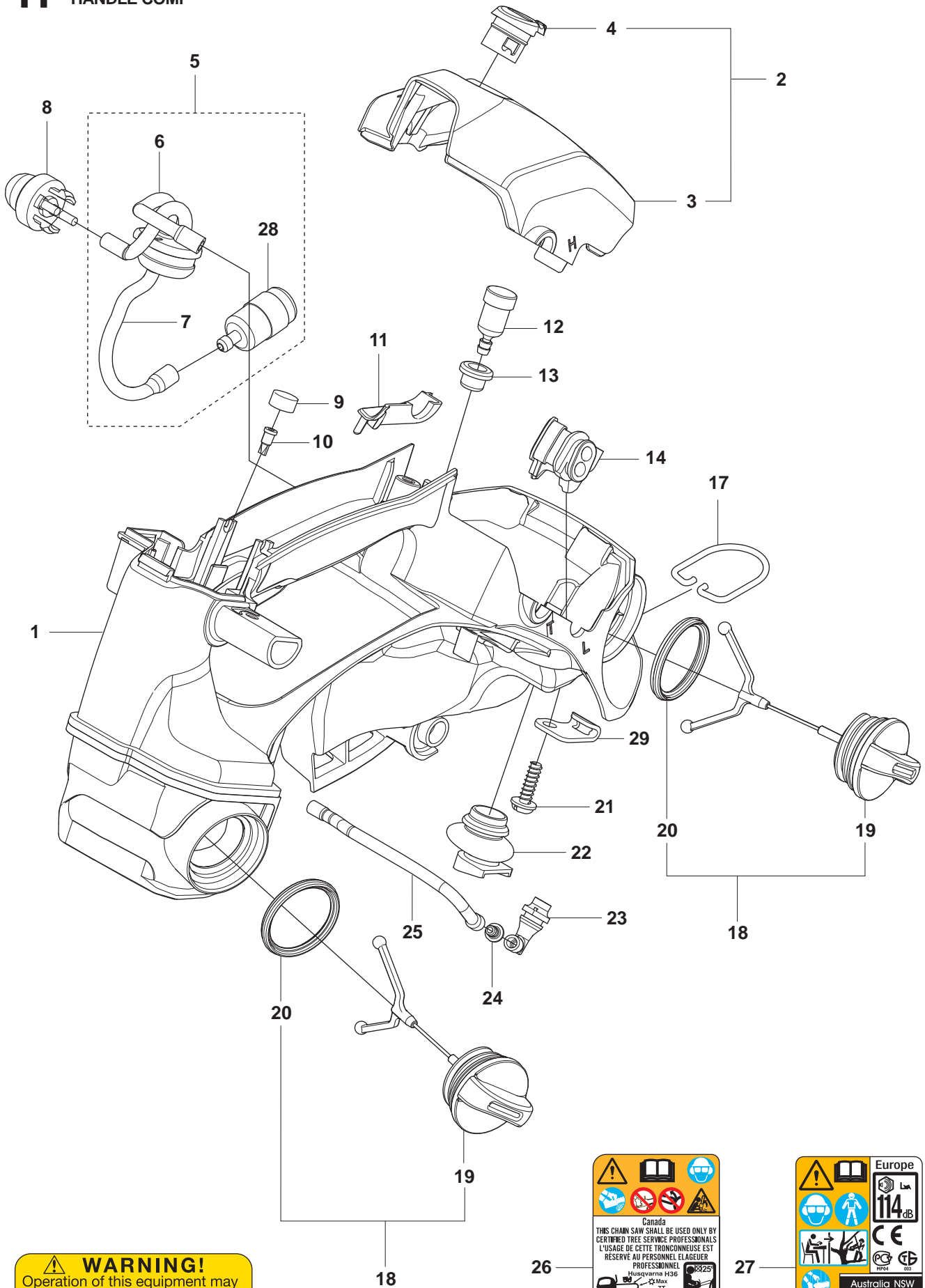
Page F T435 MUFFLER ASSY				
Position	Part nr.	Quantity	Description	Kit
1	523 08 30-01	1	Muffler	
2	522 00 52-01	1	Muffler guide	1
3	522 00 51-01	1	Arrester	1
4	522 00 45-01	1	Exhaust pipe	
5	516 80 88-01	1	Screw	
6	521 79 20-01	1	Gasket	
7	522 63 88-01	2	Bolt	
8	521 51 62-01	1	Screw	
9	516 96 09-01	2	Nut	

G T435
HANDLE ASSY



Page G T435 HANDLE ASSY				
Position	Part nr.	Quantity	Description	Kit
1	522 01 74-01	1	Cover top handle	
2	521 51 81-01	6	Screw	
3	522 01 70-01	1	Throttle guard	
4	522 64 66-01	1	Rod	
5	521 07 89-01	1	Spring	
6	522 01 71-01	1	Trigger	
7	522 63 86-01	1	Screw	
8	522 64 22-01	1	AV Spring	
9	516 94 95-01	1	Bolt	
10	522 64 24-01	1	AV Spring	
11	522 01 91-01	1	Front handle	
12	521 55 72-01	1	Limiter	
13	522 64 23-01	1	AV Spring	
14	521 51 80-01	1	Screw	

H T435 HANDLE COMP



WARNING!
Operation of this equipment may create sparks that can start fires around dry vegetation. A spark arrestor may be required. The operator should contact local fire agencies for laws or regulations relating to fire prevention requirements.

Canada
THIS CHAIN SAW SHALL BE USED ONLY BY CERTIFIED TREE SERVICE PROFESSIONALS
L'USAGE DE CETTE TRONÇONNEUSE EST RÉSERVÉ AU PERSONNEL ELABEURER PROFESSIONNEL
Muscleman H36
X-Max 77
Other approved combinations approved
262.20 262.3 CHAIN SAW CLASS 1B / TRONÇONNEUSE CATEGORIE 1B
LISTED IN ACCORDANCE WITH ANSI B175.1-2000 USA
WARNING Follow all safety precautions in the Operator's Manual(s). Failure to follow instructions could result in serious personal injury. There may be other replacement components for achieving kickback reduction.

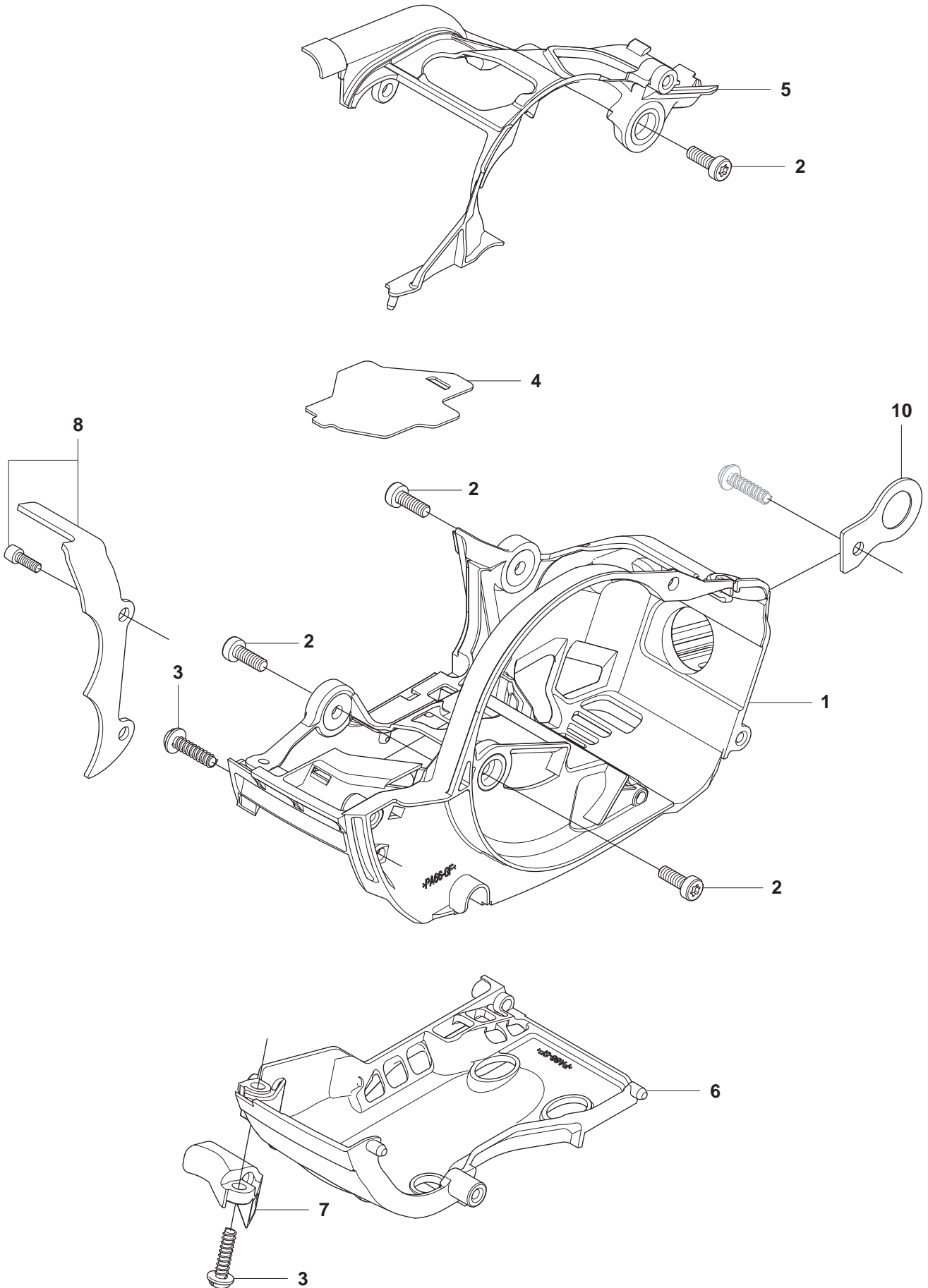
Europe
114 dB
CE
Australia NSW
EN 1485
83
NOISE dBA
THIS PRODUCT COMPLIES WITH Australian Standard AS 2726, 2:2004

16

26

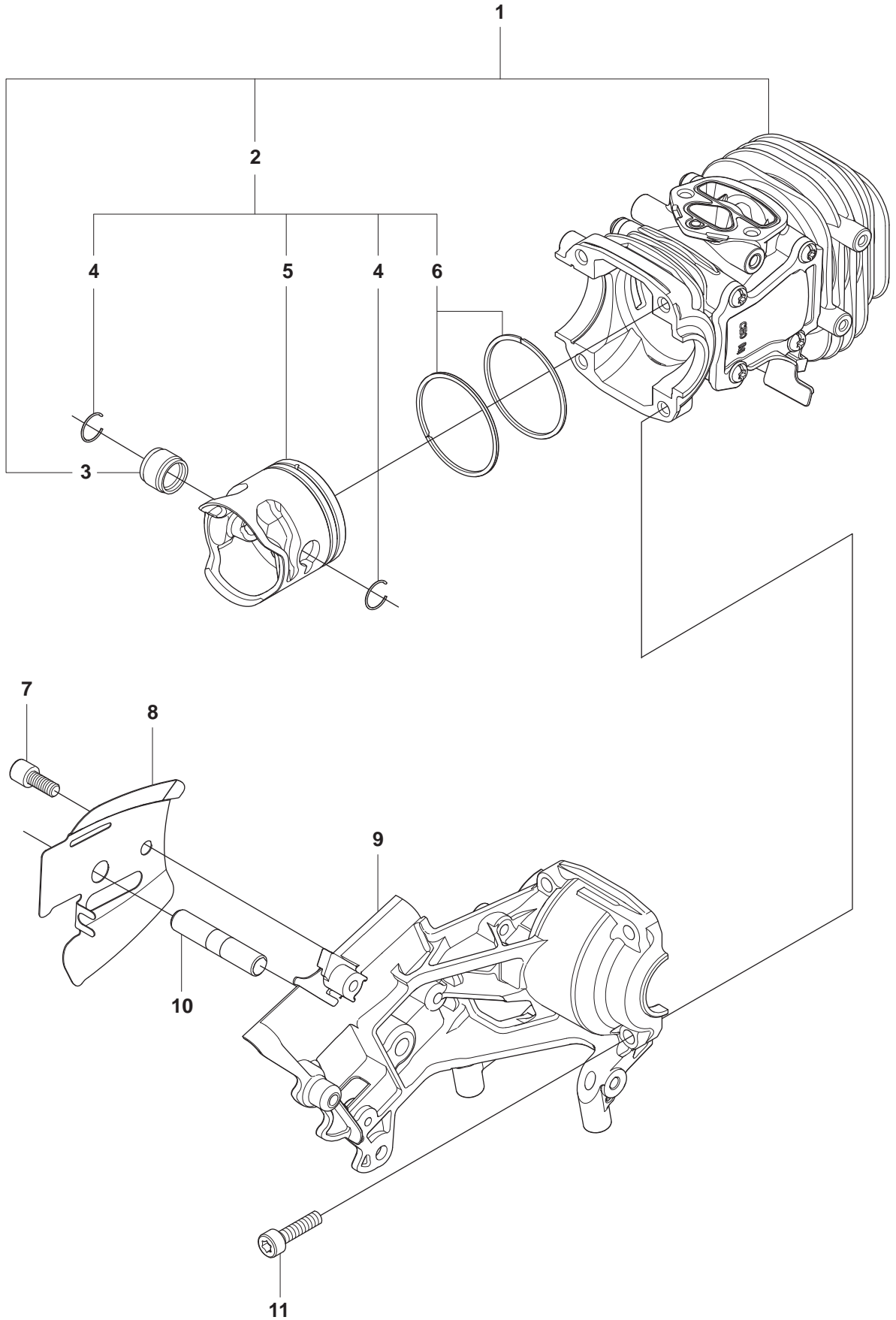
27

Page H T435 HANDLE COMP				
Position	Part nr.	Quantity	Description	Kit
1	522 01 64-01	1	Housing	
2	522 01 77-01	1	Filter cover compl.	
3	522 01 78-01	1	Filter cover	2
4	522 01 79-01	1	Knob	2
5	522 64 76-01	1	Fuel hose assy	
6	522 64 77-01	1	Grommet	5
7	522 63 95-01	1	Fuel hose	5
8	516 97 28-01	1	Purge	
9	516 94 81-01	1	Seal	
10	516 96 19-01	1	Valve	
11	522 01 76-01	1	Bracket	
12	516 96 52-01	1	Breather	
13	520 99 61-01	1	Grommet	
14	522 00 88-01	1	Guide, carb	
16	523 07 14-01	1	Decal, warning	
17	522 01 94-01	1	Eyelet	
18	522 01 82-01	2	Fuel cap compl.	
19	522 01 83-01	2	Fuel cap	18
20	522 01 84-01	2	Seal	18
21	521 51 80-01	1	Screw	
22	522 64 71-01	1	Pipe	
23	522 64 78-01	1	Hose connector	
24	516 95 03-01	1	Joint	
25	522 63 94-01	1	Hose	
26	522 63 53-01	1	Decal, warning US-CAN	
27	522 63 54-01	1	Decal, warning EU-ROW	
28	503 44 32-01	1	Fuel filter	5
29	522 01 93-01	1	Plate	

J**T435
CASE COMP**

Page J T435 CASE COMP				
Position	Part nr.	Quantity	Description	Kit
1	522 00 11-01	1	Housing	
2	521 51 62-01	4	Bolt	
3	521 51 80-01	2	Screw	
4	522 64 12-01	1	Gasket	
5	522 00 12-01	1	Cover, top	
6	522 00 16-01	1	Cover bottom	
7	522 01 21-01	1	Chain catcher	
8	522 63 47-01	1	Spike kit	
10	522 00 18-01	1	Rope eyelet	

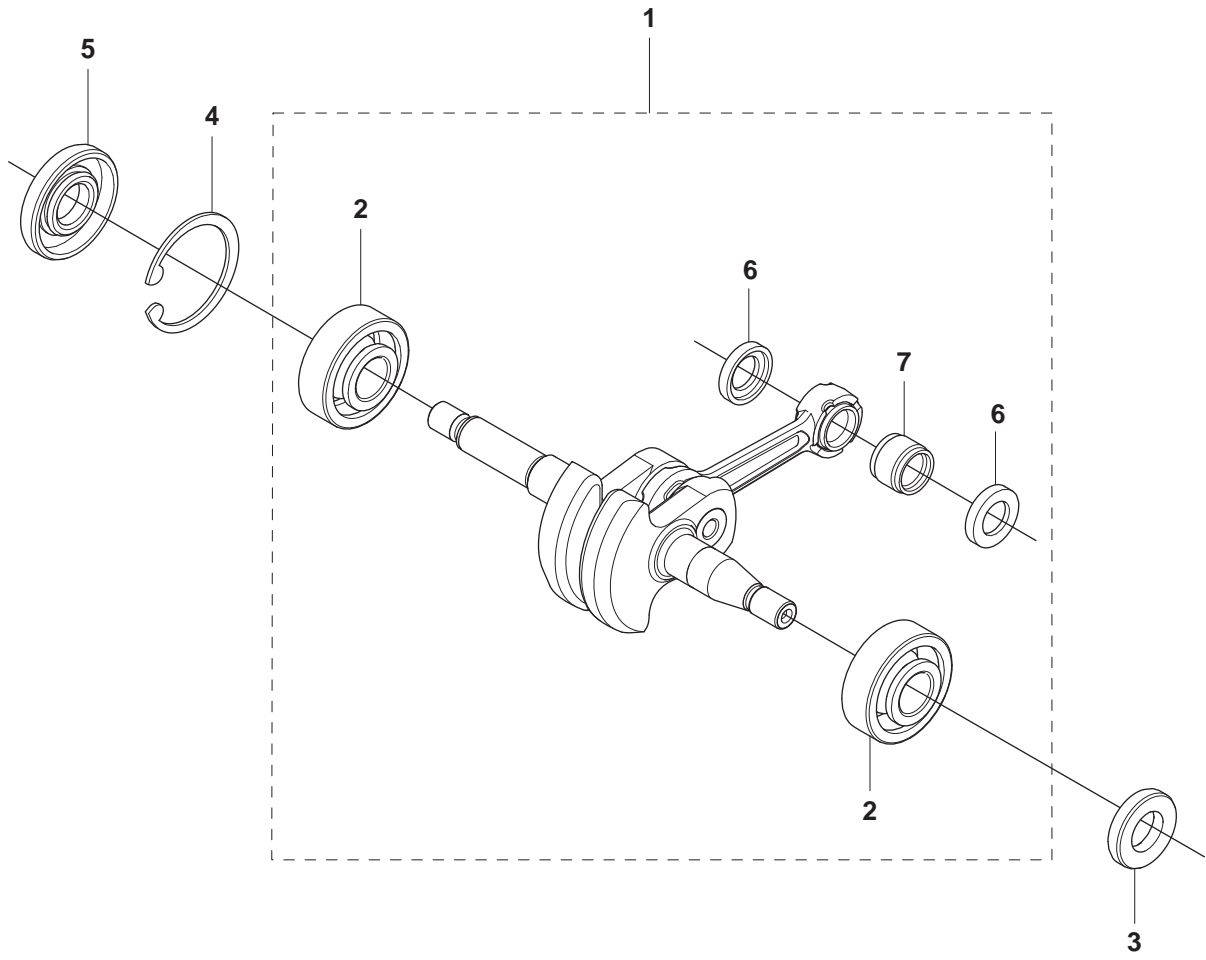
K T435
CYLINDER COMP



Position	Part nr.	Quantity	Description	Kit
1	523 08 43-01	1	Cylinder, compl.	
2	523 08 42-01	1	Piston, compl.	1
3	521 79 47-01	1	Needle bearing	1
4	516 28 30-01	2	Ring	2,1
5	522 64 25-01	1	Piston	2,1
6	522 64 26-01	2	Piston ring	2,1
7	521 79 99-01	1	Screw	
8	522 01 20-01	1	Oil plate	
9	522 64 10-01	1	Crankcase	
10	516 73 80-01	1	Bar stud	
11	521 34 54-01	4	Bolt	



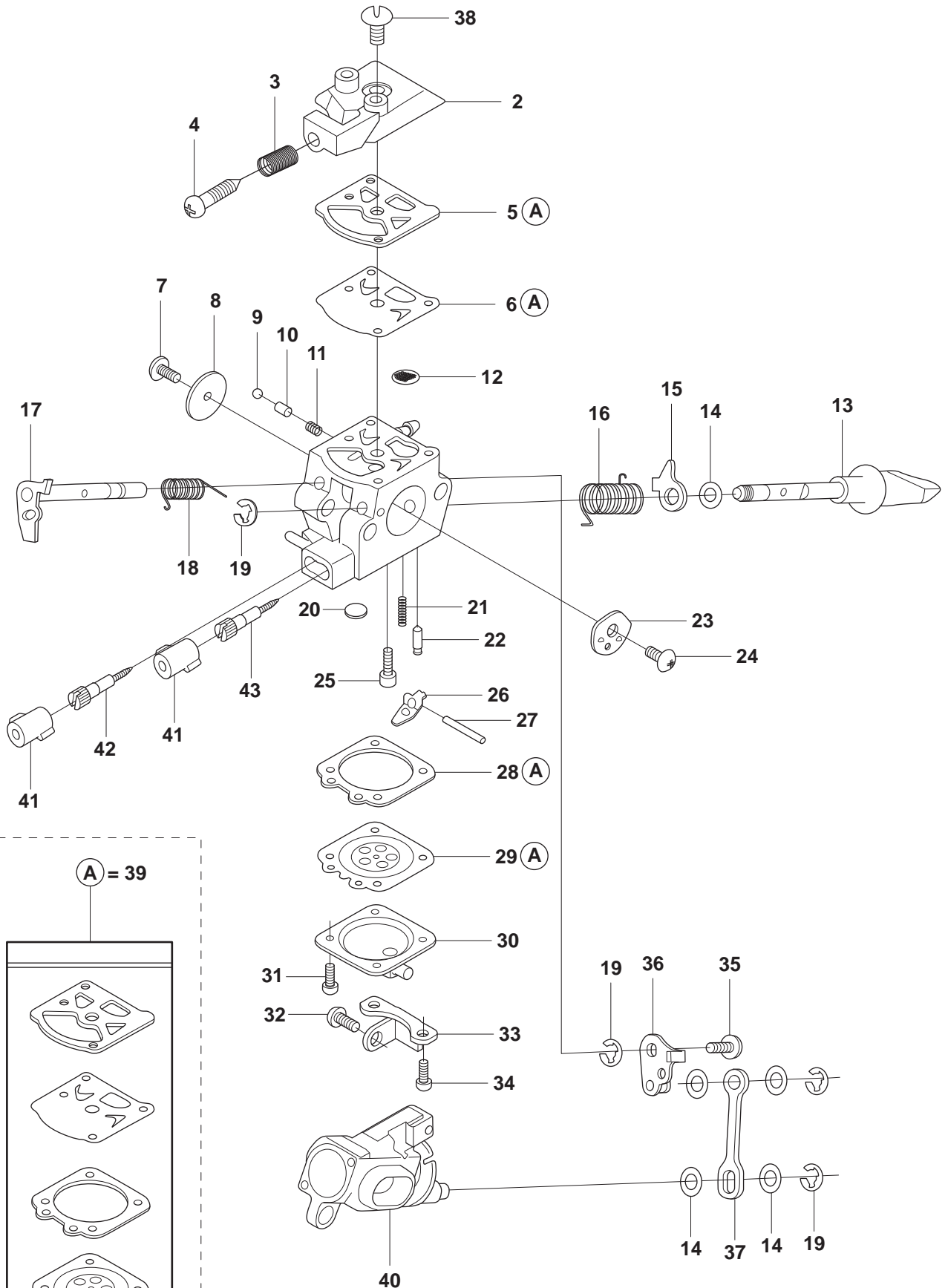
T435
CRANK SHAFT
PISTON COMP



Page L T435 CRANK SHAFT				
Position	Part nr.	Quantity	Description	Kit
1	523 34 03-01	1	Crankshaft comp.	
2	522 63 90-01	2	Crankshaft bearing	1
3	521 77 91-01	1	Oil seal	
4	516 12 58-01	1	Ring	
5	522 63 92-01	1	Seal	
6	516 96 57-01	2	Washer	1
7	521 79 47-01	1	Needle bearing	1

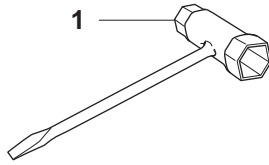
M T435
CARBURETOR

1



Page M T435 CARBURETOR				
Position	Part nr.	Quantity	Description	Kit
1	522 00 76-01	1	Carburettor	
2	521 57 56-01	1	Cover	1
3	521 06 63-01	1	Spring, Idle	1
4	516 77 83-01	1	Screw	1
5	520 95 48-01	1	Gasket	1,39
6	520 95 49-01	1	Diaphragm pump	1,39
7	520 75 98-01	1	Screw	1
8	520 97 86-01	1	Valve, throttle	1
9	516 93 60-01	1	Ball	1
10	516 93 59-01	1	Piston	1
11	516 92 73-01	1	Spring	1
12	520 95 70-01	1	Screen	1
13	522 63 20-01	1	Choke shaft	1
14	516 52 42-01	5	Washer	1
15	521 58 11-01	1	Lever	1
16	521 58 01-01	1	Spring choke shaft	1
17	522 64 62-01	1	Throttle schaft	1
18	516 84 39-01	1	Spring, throttle latch	1
19	516 21 70-01	4	Clip	1
20	516 34 29-01	1	Plug	1
21	516 98 00-01	1	Spring	1
22	521 08 54-01	1	Valve, inlet	1
23	516 95 69-01	1	Valve, choke	1
24	520 75 98-01	1	Screw	1
25	520 97 73-01	1	Screw	1
26	520 97 72-01	1	Lever	1
27	520 97 74-01	1	Pin	1
28	516 97 21-01	1	Gasket	1,39
29	522 64 84-01	1	Diaphragm carburetor	1,39
30	522 64 60-01	1	Cover	1
31	520 97 88-01	2	Screw kit	1
32	522 64 61-01	1	Screw	1
33	522 64 67-01	1	Bracket	1
34	522 64 56-01	2	Screw kit	1
35	520 75 98-01	3	Screw	1
36	522 64 59-01	1	Throttle link	1
37	522 64 64-01	1	Rod	1
38	520 97 63-01	1	Screw	1
39	522 64 02-01	1	Diaphragm kit	
40	522 64 63-01	1	Body air valve	1
41	521 11 69-01	2	Cap	1
42	521 58 54-01	1	Needle	1
43	516 93 58-01	1	Needle	1

N T435
ACCESSORIES



Page N	T435	ACCESSORIES		
Position	Part nr.	Quantity	Description	Kit
1	521 53 29-01	1	Combi tool	