

SPARE PARTS LIST

MODEL NO. EA3501F

ITEM	PART NO.	DESCRIPTION	QTY	NOTE
001	195114672	FUEL TANK CPL. BLUE INC.2-11,79	1	
002	195117050	GRIP OUTER SHELL	1	
003	913455164	SCREW 5.5X16	1	
004	195117030	CATCH LEVER	1	
005	195117020	THROTTLE LEVER	1	
006	195117010	SPRING	1	
007	170175010	AIR VALVE COMPLETE	1	
008	195114050	FUEL LINE	1	
009	963211020	O RING	1	
010	965452090	TUBE	1	
011	965452660	TUBE	1	
012	181114202	TANK CAP CPL. INC.13	1	
013	963229036	PACKING RING	2	
014	320163447	FUEL FILTER	1	
016	195310010	TUBULAR HANDLE	1	
017	195310651	COVER	1	
018	165114150	SPRING	4	
019	908005165	FILLISTER HEAD SCREW M5X16	4	
020	913455164	SCREW 5.5X16	3	
021	913455164	SCREW 5.5X16	2	
022	913455164	SCREW 5.5X16	2	
023	913455164	SCREW 5.5X16	2	
024	195114160	SPRING GUIDING HEAD	1	
025	195171020	CONNECTING MUFF	1	
026	195173150	AIR FILTER CPL.	1	
027	195131301	BOTTOM CPL. INC.31-32,45,57	1	
028	908005165	FILLISTER HEAD SCREW M5X16	2	
029	908005165	FILLISTER HEAD SCREW M5X16	2	
030	195155050	CONTACT SPRING	1	
031	195155021	CHOKE LEVER	1	
032	195147010	IGNITION CABLE	1	
033	970502110	INSULATING HOSE	1	
034	195117110	THROTTLE LINKAGE CPL.	1	
036	913455164	SCREW 5.5X16	1	
037	913455164	SCREW 5.5X16	1	
038	908004405	SCREW	2	
041	010155010	PRIMER	1	
042	965452090	TUBE	1	
043	965452090	TUBE	1	
044	181131021	INSERT	1	
045	195131040	SUCTION HOSE	1	
046	038174030	CONNECTING LINK	1	
047	965522033	GASKET	1	
048	908005165	FILLISTER HEAD SCREW M5X16	2	
049	909005105	SCREW M5X10	2	
050	908305405	SCREW M5X40	1	
051	195174500	MUFFLER INC.52-53	1	
052	195174280	SPARK ARRESTER SCREEN	1	
053	914535105	SCREW	1	
056	963220013	O RING	1	
057	195131090	PACKING RING	1	
058	195173210	FILTER-SET INC.25-26,56,76,89	1	
059	195143030	ISOLATING WASHER	2	
060	194131202	CYLINDER / PISTON CPL. INC.59,61,62,63,64	1	
061	194132100	PISTON CPL.	1	

SPARE PARTS LIST

MODEL NO. EA3501F

ITEM	PART NO.	DESCRIPTION	QTY	NOTE
		INC.62-64		
062	194132020	PISTON RING	1	
063	195132030	PISTON PIN	1	
064	195132050	SPRING RING	2	
065	908405205	SCREW 5X20	4	
066	195131130	GASKET	1	
067	195120300	CRANKSHAFT CPL.	1	
068	960123129	COMBINATION BALL BEARING	2	
069	195111612	CRANKC. CL. SIDE BLUE	1	
070	195111622	CRANKC. M. SIDE BLUE	1	
071	936430160	SPIRAL CLAMPING PIN	2	
072	195111061	GASKET	1	
073	195111080	PROTECTION FILM	1	
074	195250010	SPIKE BAR	1	
075	908005165	FILLISTER HEAD SCREW M5X16	2	
076	195118550	COVER BLACK	1	
077	010245030	VENT VALVE	1	
078	908405205	SCREW 5X20	6	
079	195114060	NIPPLE	1	
086	195151300	PLUG	1	
087	181114202	TANK CAP CPL.	1	
		INC.88		
088	963229036	PACKING RING	2	
089	195118694	HOOD CPL. BLACK	1	
		INC.91-92,94-95		
091	195118080	PROTECTION FILM	1	
092	195118140	INSERT	1	
093	195155031	GUIDE	1	
094	908005165	FILLISTER HEAD SCREW M5X16	3	
095	980114928	LABEL	1	
096	962211007	NEEDLE CAGE	1	
100	195160600	STARTER ASSY. BLUE	1	
		INC.103-110		
103	195160070	STARTER GRIP	1	
104	195160080	WASHER	1	
105	021164010	STARTER ROPE	1	
106	195160110	REWIND SPRING	1	
107	195160040	CABLE DRUM CPL.	1	
108	195160030	SPRING	1	
109	195160020	STARTER WHEEL	1	
110	195160010	SCREW	1	
111	908005165	FILLISTER HEAD SCREW M5X16	4	
112	980115688	LABEL	1	
113	195118040	AIR GUIDE PLATE	1	
114	195143200	IGNITION COIL CPL.	1	
		INC.116-118		
115	908805205	SCREW	2	
116	970502110	INSULATING HOSE	1	
117	965604180	SPRING	1	
118	957604220	PLUG CAP CPL.	1	
120	965603040	SPARK PLUG	1	
121	195141103	FLYWHEEL CPL.	1	
		INC.122		
122	195166100	STARTER RATCHET CPL.	2	
123	920308024	HEXAGONAL NUT M8	1	
124	926208001	SPRING WASHER 8	1	
125	195213500	HAND GUARD CPL.	1	
		INC.150		
126	908005165	FILLISTER HEAD SCREW M5X16	1	
127	181213320	BUSHING	1	
128	181213170	HANDGUARD GUIDE,COP.	1	

SPARE PARTS LIST

MODEL NO. EA3501F

ITEM	PART NO.	DESCRIPTION	QTY	NOTE
129	181213022	TENSION SPRING	1	
130	181213100	BRAKING MECHANISM	1	
131	927304000	SAFETY WASHER	1	
132	181213011	BRAKE SPRING	1	
133	927408000	WASHER	1	
134	181224081	DISC	1	
135	195223312	CLUTCH DRUM COMPLETE	1	
136	175180101	CLUTCH ASSY. INC.137	1	
137	024184021	TENSION SPRING	3	
138	001182042	DISC	1	
139	179245202	OIL PUMP CPL.	1	
142	181245100	OIL LINE CPL. INC.143-144	1	
143	021245060	PRESSURE SPRING	1	
144	001245020	HOSE STEM	1	
145	181245120	OIL LINE	1	
146	195245010	BUSHING	1	
147	181245090	PUMP DRIVE	1	
148	908005165	FILLISTER HEAD SCREW M5X16	2	
150	980114237	LABEL	1	
154	195232020	BOLT	1	
155	195232010	BOLT	2	
156	195232040	BOLT	1	
157	195213190	COVER	1	
158	908105126	SCREW M5X12	2	
170	195213650	SPROCKET GUARD CPL., BLUE INC.171-186	1	
171	195213621	SPROCKET GUARD, BLUE	1	
172	915735100	SCREW M3.5X10	1	
173	195213320	GUIDE PLATE	1	
174	915735100	SCREW M3.5X10	1	
175	170213670	COVER	1	
176	170213710	DRIVE WHEEL	1	
177	170213650	TENSIONING SCREW	1	
178	170213660	TENSIONING NUT	1	
179	170213690	SPRING	1	
180	170213770	LOCKING BALL	1	
181	170213720	CLAMP NUT	1	
182	170213730	SPRING	1	
183	170213150	WING GRIP CPL.	1	
184	226213340	TENSIONING WHEEL	1	
185	924204020	WASHER	1	
186	226213380	SCREW	1	
300	195151102	CARBURETOR CPL. INC.306-309,321,325-326,328 330-331,337-338,343,346,348	1	
302	119151350	SHAFT CLIP	1	
306	021151120	DIAPHRAGM COVER	1	
307	195151350	PUMP COVER	1	
308	957151200	KIT THROTTLE SHAFT INC.302,332	1	
309	957151210	KIT CHOKE SHAFT INC.302,335	1	
321	957151220	SET DIAPHRAGM / GASKETS INC.323	1	
323	021151150	PUMP DIAPHRAGM,RUBBER	1	
325	118151190	SCREW	1	
326	378151210	IDLE SPEED SCREW	1	
328	378151220	SCREW	4	
330	021151230	PRESSURE SPRING	1	

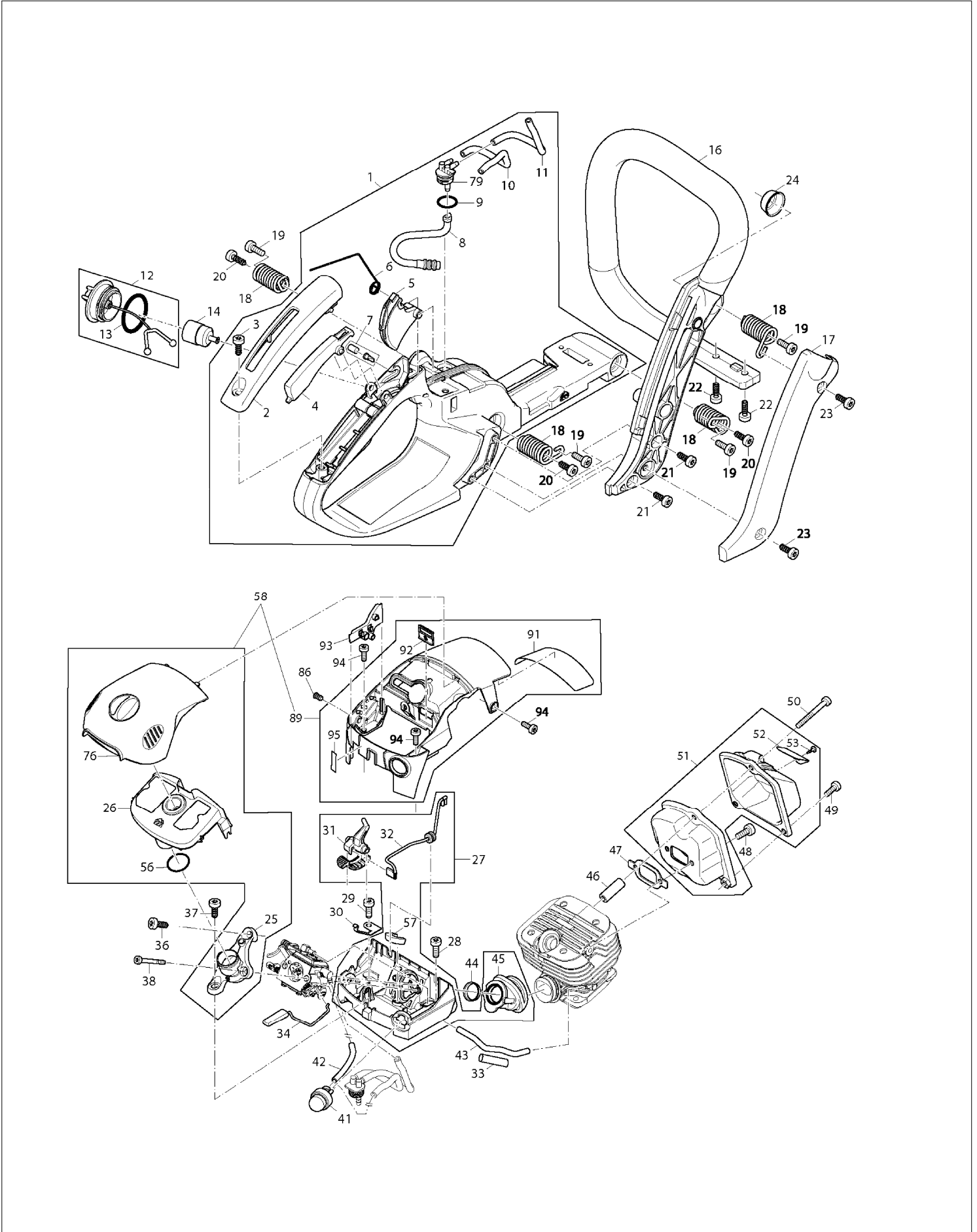
SPARE PARTS LIST

MODEL NO. EA3501F

ITEM	PART NO.	DESCRIPTION	QTY	NOTE
331	957151240	SET SPRINGS / WASHERS	1	
332	001151310	SPRING	1	
335	195151490	SPRING	1	
337	195151520	IDLE ADJUSTMENT SCREW	1	
338	195151530	MAIN ADJUSTMENT SCREW	1	
343	021151180	SCREEN	1	
346	957151070	ACCELERATOR	1	
348	957151230	SET OF CONTROL PARTS	1	
A01	442030661	SPROCKET NOSE BAR 12"	1	
A02	528092646	SAW CHAIN 12"	1	
A03	558092010	TIE STRAP WITH RIVETS	1	
A04	558092000	SAFETY TIE STRAP	1	
A09	952010630	CHAIN PROTECTION	1	
A11	941713161	UNIVERSAL WRENCH	1	
A12	940827000	ANGLED SCREW DRIVER	1	
A13	944340001	SCREW DRIVER	1	

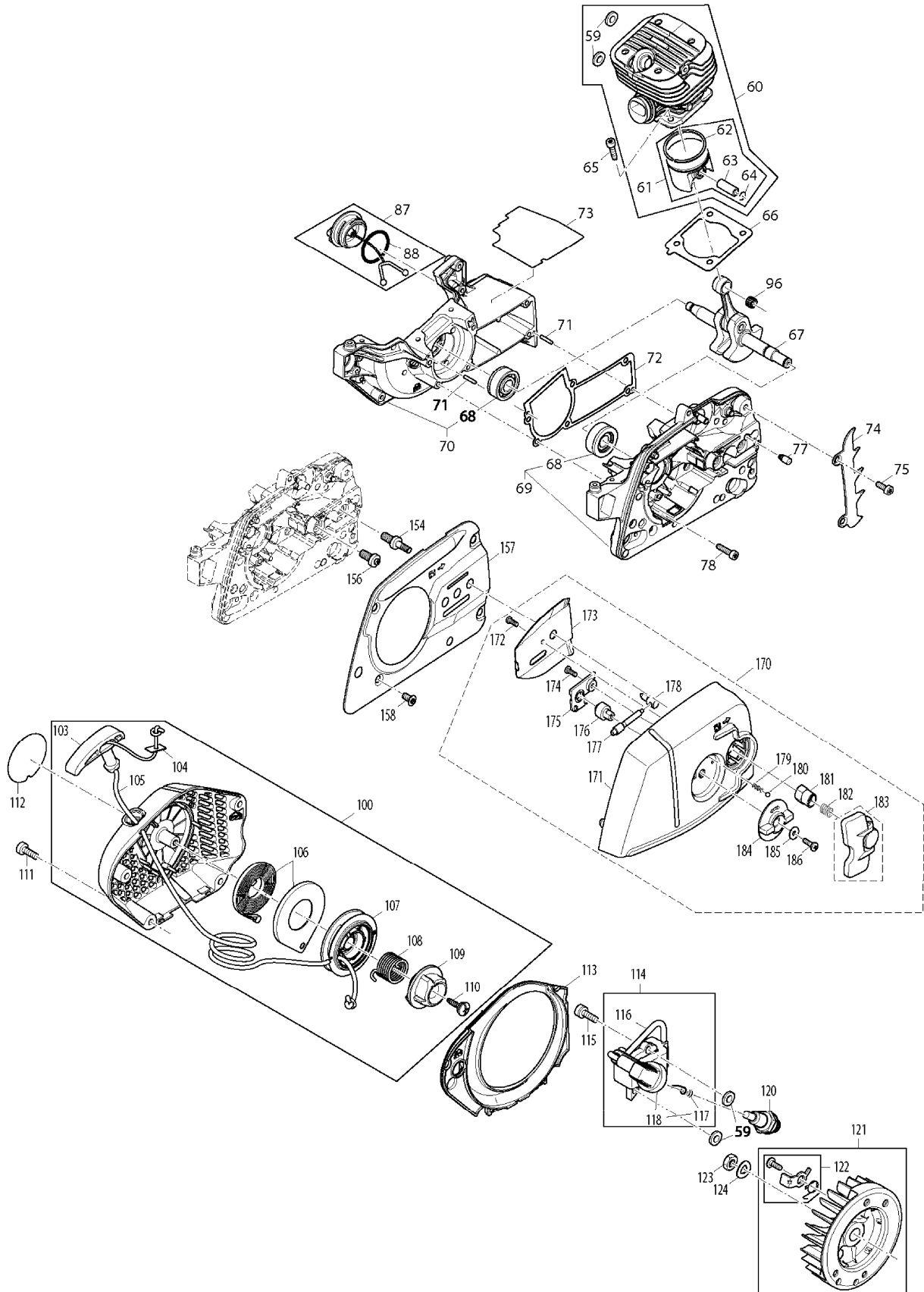
SERVICE DRAWING

MODEL NO. EA3501F



SERVICE DRAWING

MODEL NO. EA3501F



SERVICE DRAWING

MODEL NO. EA3501F

