

SPARE PARTS LIST

MODEL NO. DPC7301

ITEM	PART NO.	DESCRIPTION	QTY	NOTE
001	010114091	TANK CAP CPL.,FUEL INC. 2	1	
002	963230031	O-RING	1	
003	963601121	SUCTION HEAD INC. 4	1	
004	963601240	FELT	1	
005	965404911	FUEL LINE	1	
006	913455454	SCREW 5.5X45	1	
007	900005078	WASHER	1	
008	965403532	RUBBER BUFFER	1	
009	394114281	AXLE	1	
010	394114605	TANK CPL. INC. 11-15	1	
011	394114070	RUBBER FOOT	1	
012	010175050	AIR VALVE CPL.	1	
013	394114100	SCREW PLUG	4	
014	957117030	HALF-THROTTLE LOCK, CPL.	1	
015	957117020	THROTTLE MACHANISM, CPL. INC. 16	1	
016	394117011	THROTTLE LINKAGE	1	
017	394114051	POT	1	
018	965403532	RUBBER BUFFER	1	
019	394114281	AXLE	1	
020	908305405	SCREW M5X40	1	
021	394114640	BRACKET	1	
022	913455204	FILLISTER HEAD SCREW 5.5X20	2	
023	913455454	SCREW 5.5X45	1	
024	900005078	WASHER	1	
025	965403532	RUBBER BUFFER	1	
026	394114281	AXLE	1	
027	913455454	SCREW 5.5X45	1	
028	965403532	RUBBER BUFFER	1	
029	394310101	TUBULAR HANDLE	1	
030	010114081	ANGLAR UNION ASSY.	1	
032	913455454	SCREW 5.5X45	1	
033	394114060	FOOT	1	
035	394118070	FILTER COVER ASSY.	1	
036	980114755	SAFETY LABEL	1	
037	394118010	BAYONET FIXING	1	
038	394118060	INSERT	1	
039	394173030	PREFILTER	1	
040	394118020	PACKING RING	1	
041	980114498	LABEL	1	
042	394118041	HOOD CPL. INC. 40,177	1	
043	908505555	SCREW M5X55	4	
044	394173010	AIR FILTER	1	
045	394173020	INNER FILTER	1	
046	395174110	COVER PLATE	1	
047	965531131	GASKET	1	
048	394174401	MUFFLER	1	
049	908405205	SCREW 5X20	2	
050	908005095	SCREW M5X9	1	
051	921905004	SQUARE NUT M5	1	
052	965603050	CLAMP	1	
053	394131210	SUCTION LINE	1	
054	024131032	INSERT FOR SUCTION HOSE	1	
055	394171052	CONNECTING SLEEVE CPL. INC. 53	1	
056	965401016	RUBBER BUSH	1	
057	965452382	VENTILATION LINE	1	

SPARE PARTS LIST

MODEL NO. DPC7301

ITEM	PART NO.	DESCRIPTION	QTY	NOTE
058	965518120	GASKET	1	
059	970502050	TUBE	1	
060	394150042	CHOKE SHAFT	1	
061	394150030	CHOKE SHAFT	1	
062	908204555	SCREW 4X55	4	
063	394151052	CARBURETOR WITH GASKET INC. 64-66, 68-95	1	
064	394150170	SCREW	4	
065	394150160	PUMP COVER CPL.	1	
066	957150100	SET DIAPHRAGM / GASKETS INC.67	1	
067	113150150	PUMP DIAPHRAGM, RUBBER	1	
068	394150180	SCREEN	1	
069	122151400	DISC	1	
070	100150350	SAFETY WASHER	1	
071	394150250	CHOKE SHAFT	1	
072	001150650	SCREW	1	
073	113150261	CHOKE SHUTTER	1	
074	113150380	LOCKING BALL	1	
075	101150080	LOCKING SPRING	1	
076	957150160	SET OF CONTROL PARTS	1	
077	144151320	THROTTLE SHUTTER	1	
078	001150650	SCREW	1	
079	144151315	BUSHING	1	
080	394150310	SPRING	1	
081	144151315	BUSHING	1	
082	394150300	THROTTLE SHAFT	1	
083	001150510	LOCKING BALL	1	
084	394150570	IDLE STOP SCREW(S)	1	
085	394150500	PACKING RING	1	
086	144151480	SPRING	1	
087	394150470	IDLE ADJUSTMENT SCREW	1	
088	394150510	MAIN ADJUSTMENT SCREW	1	
089	144151480	SPRING	1	
090	394150500	PACKING RING	1	
091	113150040	COVER DISC	1	
093	394150120	DIAPRAGM COVER	1	
094	965402970	GASKET	1	
095	001150520	SCREW	4	
096	395160600	STARTER ASSY. BLUE INC. 97-99,101,103-106,179	1	
097	908605205	SCREW M5X20	4	
098	928405000	SPRING WASHER	1	
099	181164010	STARTER KNOB	1	
100	980114217	LABEL	1	
101	181163050	REWIND SPRING IN HOUSING	1	
102	915135100	THREAD FORMING SCREW 3.5X9.5	1	
103	395162020	CABLE DRUM CPL.	1	
104	929314100	SNAP RING	1	
105	395118170	AIR GUIDE PLATE	1	
106	394164020	STARTER ROPE BLACK	1	
107	965605432	CABLE WITH PLUG	1	
108	965401016	RUBBER BUSH	1	
109	394146013	CONTACT SPRING	1	
110	957604240	SPARK PLUG CAP CPL.	1	
111	965603021	SPARK PLUG BPMR7A	1	
112	970310200	IGNITION CABLE 14-1/8"	1	
113	394143013	IGNITION COIL	1	
114	908605205	SCREW M5X20	2	
115	394141030	FLYWHEEL ASSY.	1	
116	031166010	STARTER RATCHET CPL.	2	

SPARE PARTS LIST

MODEL NO. DPC7301

ITEM	PART NO.	DESCRIPTION	QTY	NOTE
117	920308024	HEXAGONAL NUT M8	1	
118	926208001	SPRING WASHER 8	1	
119	394131040	HOOD, BLACK	1	
120	908005165	FILLISTER HEAD SCREW M5X16	3	
121	908005305	FILLSTER HEAD SCREW M5X30	5	
122	962900052	RADIAL RING	1	
123	001131150	DECOMPRESSION VALVE	1	
124	908005205	FILLISTER HEAD SCREW M5X20	4	
125	394111110	CRANKCASE, MAG.SIDE	1	
126	936430160	SPIRAL CLAMPING PIN	2	
127	965531111	GASKET	1	
128	960102159	BALL BAERING 6202	1	
129	394130016	CYLINDER/PISTON CPL. INC. 130	1	
130	395132050	PISTON CPL. INC. 131-132	1	
131	394132020	PISTON RING 50MM	1	
132	119132060	SPRING RING	2	
133	965531121	GASKET	1	
134	962210015	NEEDLE CAGE	1	
135	394120011	CRANKSHAFT CPL.	1	
136	939630370	KEY	1	
137	394111120	CRANKCASE, CLUTCH SIDE	1	
138	960102159	BALL BAERING 6202	1	
139	962900052	RADIAL RING	1	
140	930916160	SPRING RING	1	
141	001245321	STOP RING	1	
142	394182020	GUIDE DISC	1	
143	394223025	CLUTCH DRUM ASSY.	1	
144	001182042	DISC	1	
145	010180021	CLUTCH ASSY. INC. 146	1	
146	024184021	TENSION SPRING	3	
147	965300470	V-BELT	1	
148	394213010	COVER	1	
149	908605145	FILLISTER HEAD SCREW M5X14	3	
151	394341010	PROT.HOOD 14"	1	
152	394342011	LOCKING PLATE	1	
153	957342011	PROT.HOOD MOUNTING,CPL	1	
154	394228061	PRESSURE DISC	1	
155	394228100	AXLE	1	
156	394228061	PRESSURE DISC	1	
157	994280250	HEXAGONAL SCREW M8X25	1	
158	394228021	SPACER	1	
159	394342211	PRESSURE RING CPL. INC. 161-167	1	
160	394211740	CUTTING DEVICE ASSY.	1	
161	929240180	SNAP RING	1	
162	960102176	BALL BEARING	1	
163	929240180	SNAP RING	1	
164	394211090	SCREW	1	
165	957211020	BOLT CPL.	1	
166	394228021	SPACER	1	
167	960102176	BALL BEARING	1	
168	900006179	DISC	1	
169	394221050	V-BELT PULLEY	1	
170	994280250	HEXAGONAL SCREW M8X25	1	
171	394211100	COVER CPL. INC. 172-174	1	
172	394213031	TENSIONING SCREW	1	
173	394342120	PURESSURE SPRING	1	

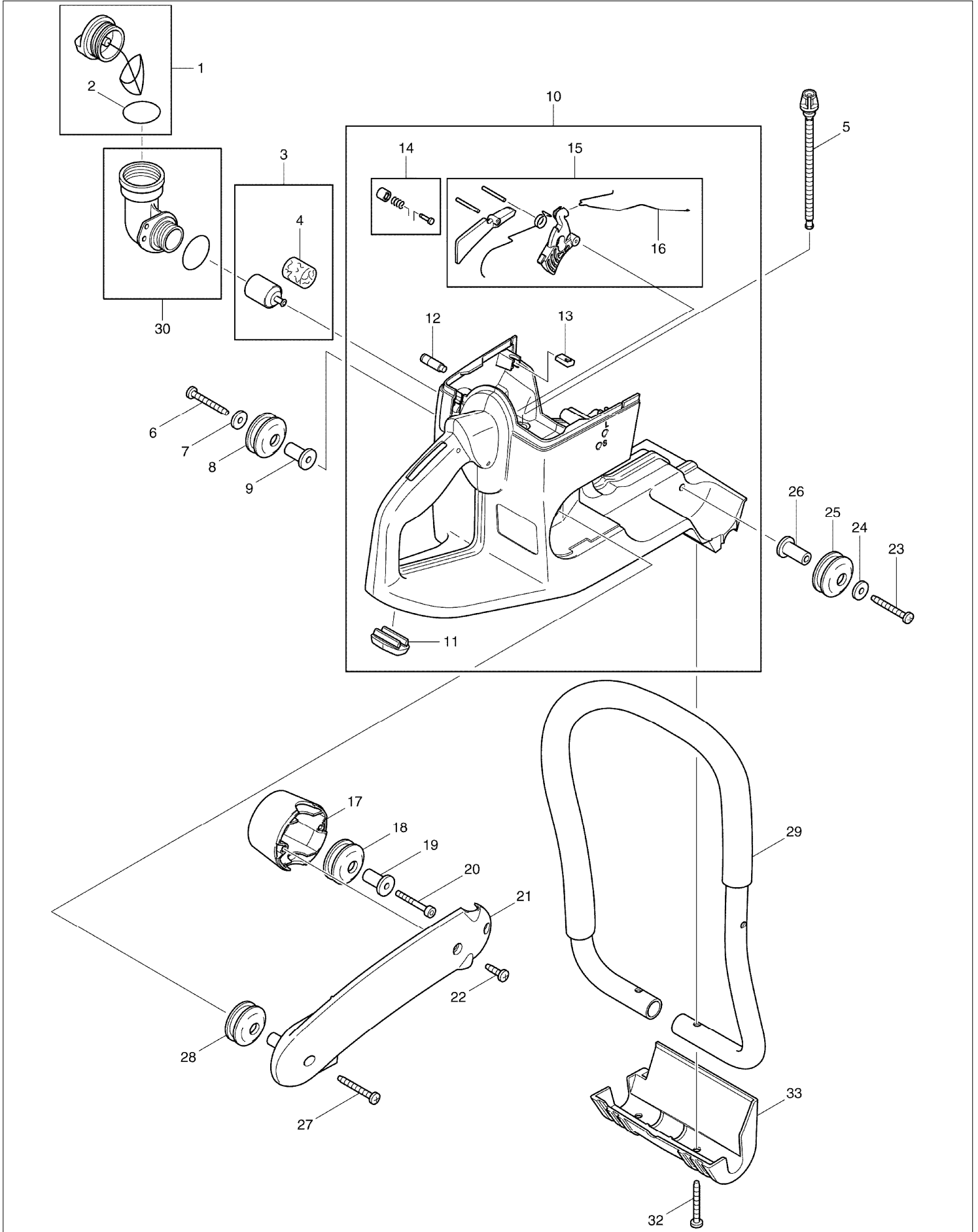
SPARE PARTS LIST

MODEL NO. DPC7301

ITEM	PART NO.	DESCRIPTION	QTY	NOTE
174	921906004	SQUARE NUT M6	1	
175	923208004	HEXAGONAL NUT M8	2	
176	965402870	RUBBER PLATE	1	
177	980114762	LABEL	1	
178	394118050	BAYONET LOCK	1	
179	395160630	HOUSING	1	
B01	010114081	ANGLAR UNION ASSY.	1	

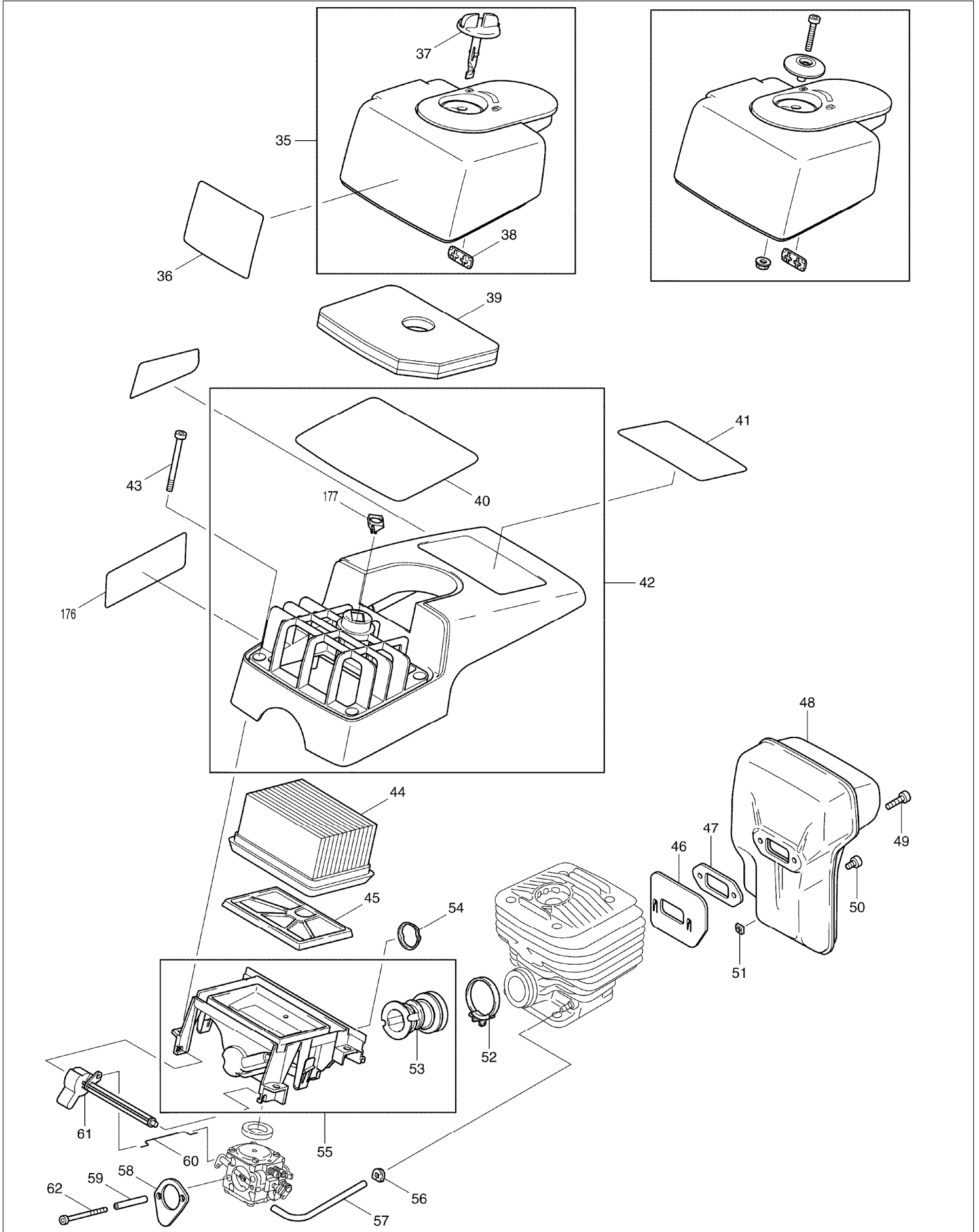
SERVICE DRAWING

MODEL NO. DPC7301



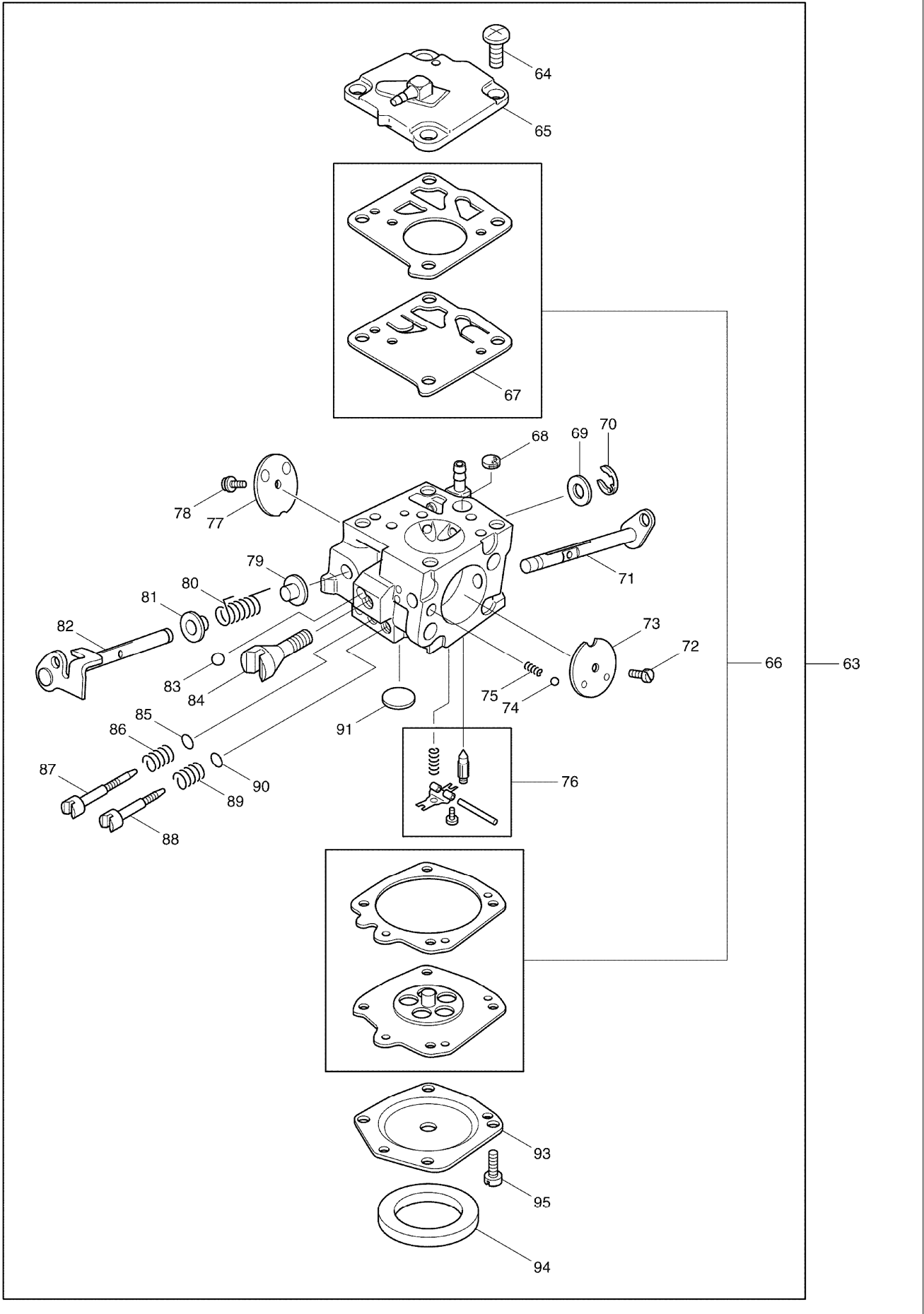
SERVICE DRAWING

MODEL NO. DPC7301



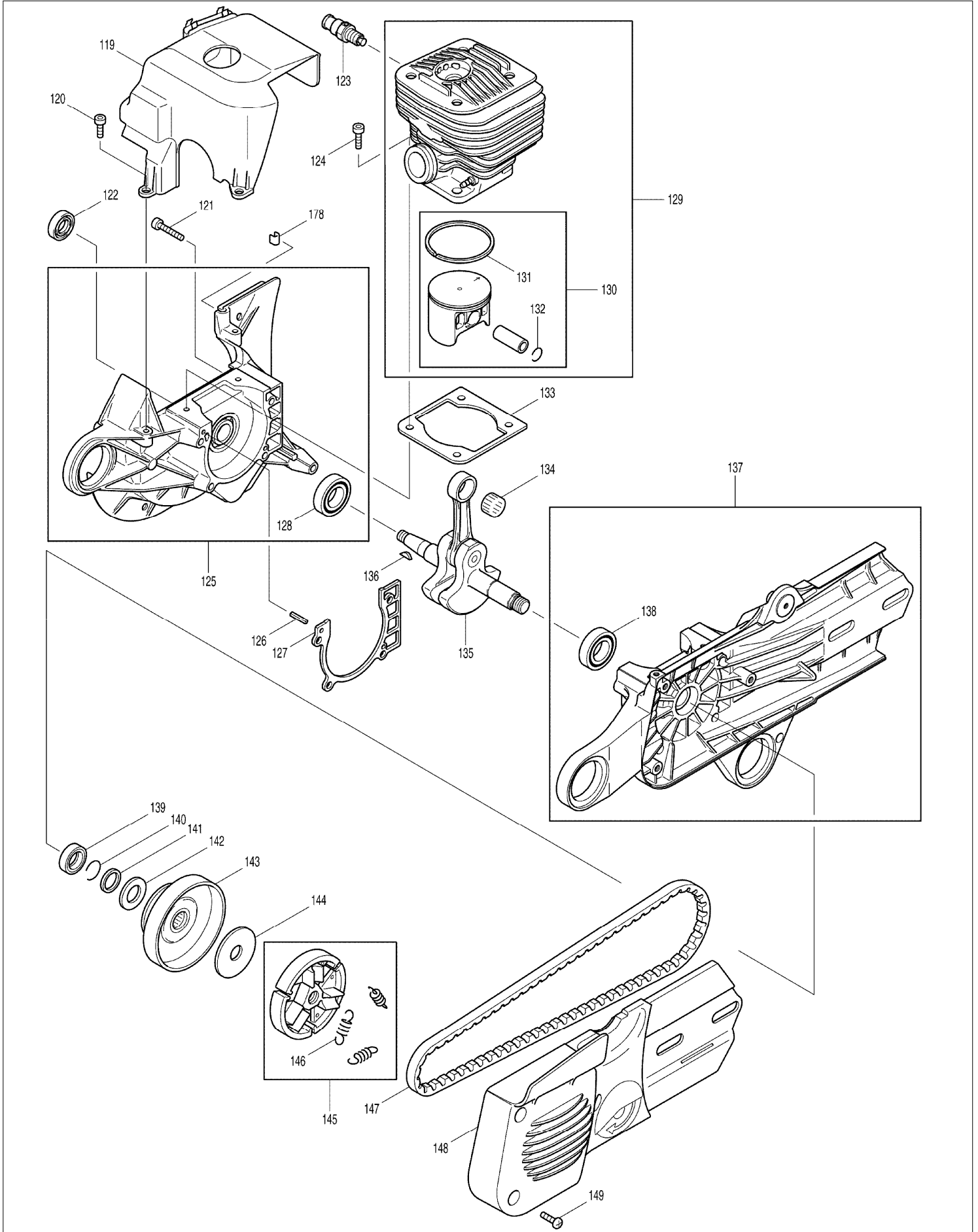
SERVICE DRAWING

MODEL NO. DPC7301



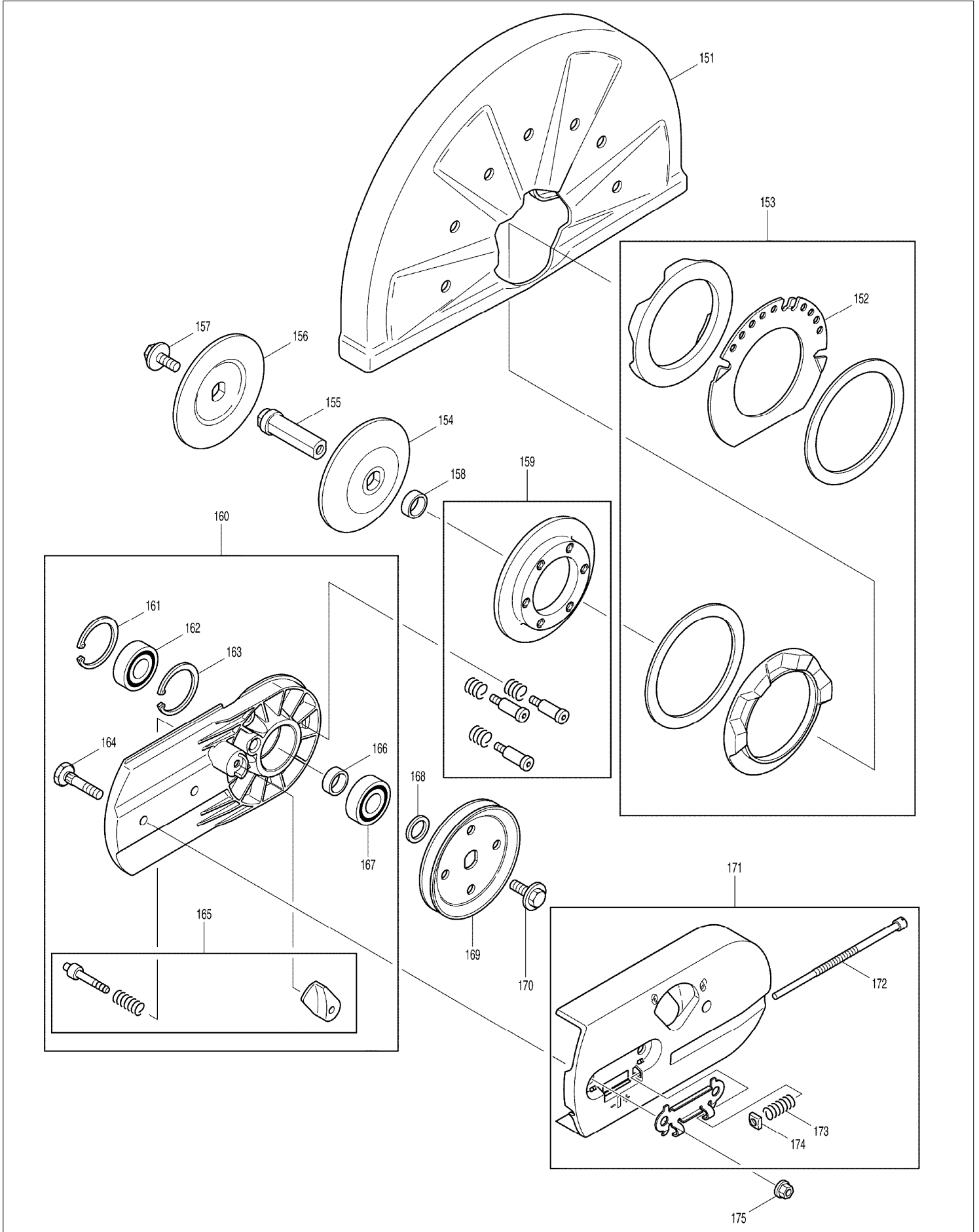
SERVICE DRAWING

MODEL NO. DPC7301



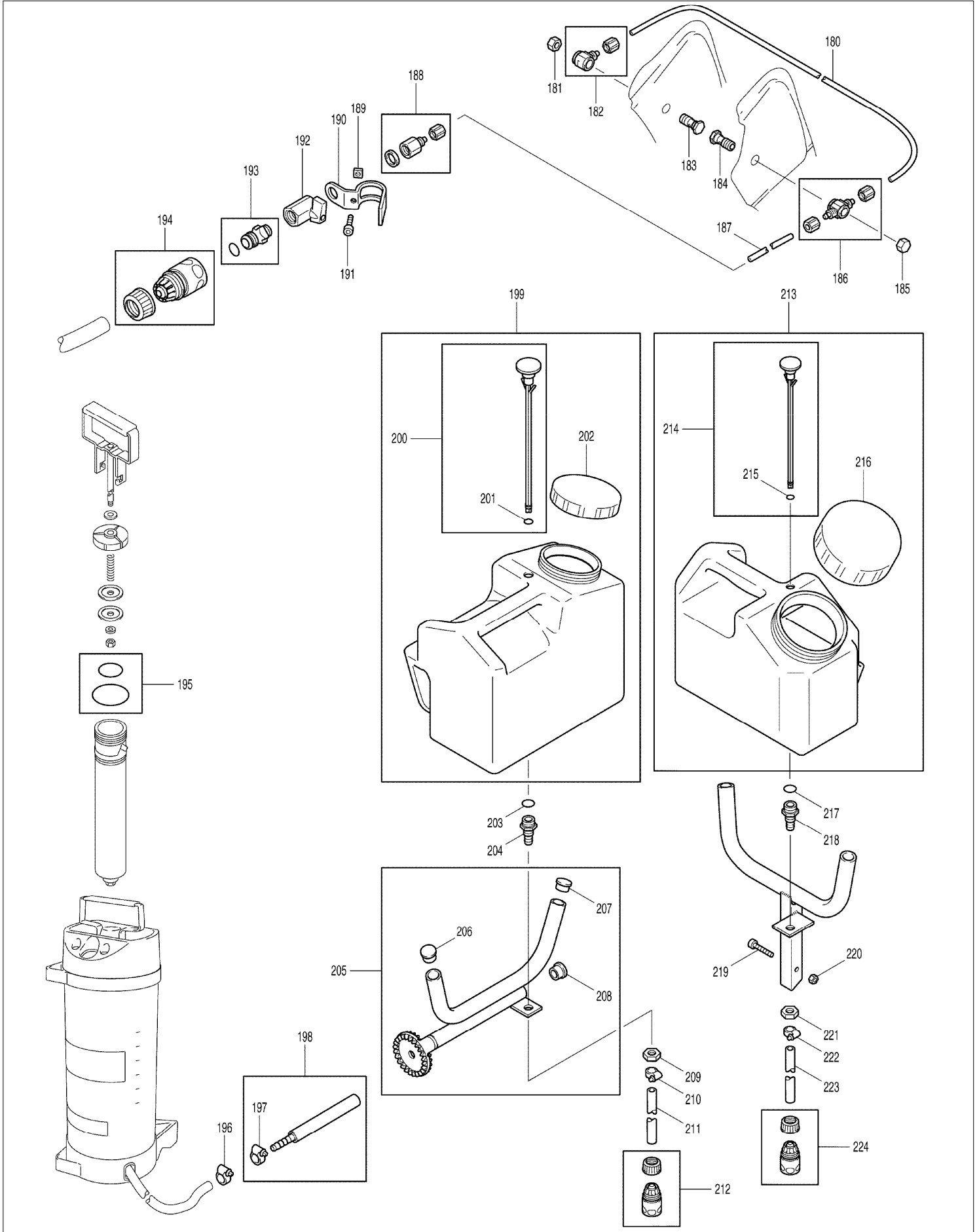
SERVICE DRAWING

MODEL NO. DPC7301



SERVICE DRAWING

MODEL NO. DPC7301



SERVICE DRAWING

MODEL NO. DPC7301

