

SPARE PARTS LIST

MODEL NO. DCS7300

ITEM	PART NO.	DESCRIPTION	QTY	NOTE
001	038310021	TUBULAR HANDLE ASSY.	1	
002	038310060	CLAMP	1	
003	908006145	FILLISTER HEAD SCREW 6X14	1	
004	913455204	FILLISTER HEAD SCREW 5.5X20	4	
005	038114600	TANK CPL. INC. 6-16	1	
006	957114060	AIR VALVE CPL.	1	
007	038114630	GRIP PLATE	1	
008	038117020	CATCH LEVER	1	
009	038117030	ROCKER	1	
010	038117010	THROTTLE LEVER	1	
011	038117050	SPRING	1	
012	935930240	CYLINDRICAL PIN 3X24	1	
013	935930280	CYLINDRICAL PIN 3X28	1	
014	038117041	BOWDEN CABLE	1	
015	913340204	SCREW 4X20	1	
016	038114050	FUEL LINE	1	
017	975001210	SHORT CIRCUIT SWITCH	1	
018	010114050	TANK CAP ASSY.(FUEL) INC. 19	1	
019	963228030	O-RING 28	1	
020	010114010	SUCTION HEAD(FUEL) INC. 21	1	
021	963601240	FELT	1	
022	038118622	COVER	1	
023	038173100	AIR FILTER CPL. FELT	1	
024	038118630	BOTTOM INC. 25,26,31	1	
025	038118110	RUBBER FLAP	2	
026	938650062	RIVET	2	
027	038118080	ADJUSTING GUIDE	1	
028	038155052	CHOKE SHAFT	1	
029	038155020	CHOKE GUIDE	1	
030	965401020	RUBBER BUSH	1	
031	001118100	BUSHING	2	
032	038155052	CHOKE SHAFT	2	
033	908005205	FILLISTER HEAD SCREW M5X20	2	
034	001118100	BUSHING	2	
035	038111050	CLIP	2	
036	038111060	SQUARE NUT M5	2	
037	908204555	SCREW 4X55	2	
038	921804004	SQUARE NUT M4	2	
039	038155010	RETAINING CLIP	1	
040	038131030	INSERT FOR SUCTION HOSE	1	
041	038171041	FLANGE	1	
042	038131010	SUCTION HOSE	1	
043	965603050	CLAMP	1	
044	965452382	VENTILATION LINE	1	
045	038171010	CONNECTING MUFF	1	
046	038118610	HOOD CPL.	1	
047	038118140	INSERT	1	
048	038118130	CABLE GUIDE	1	
049	917105205	SCREW M5X20	2	
050	038171030	HOLDER	1	
051	038118100	PLUG	1	
052	038118071	STEEL CLIP	2	
053	038174200	MUFFLER	1	
054	965531131	GASKET	1	
055	038174023	COVER PLATE	1	
056	038174030	CONNECTING LINK	1	
057	908305405	SCREW M5X40	1	

SPARE PARTS LIST

MODEL NO. DCS7300

ITEM	PART NO.	DESCRIPTION	QTY	NOTE
058	908405205	SCREW 5X20	2	
059	039130020	CYLINDER/PISTON CPL.50MM INC. 60	1	
060	394132111	PISTON CPL.50MM INC. 61-63	1	
061	394132020	PISTON RING 50MM	1	
062	119132030	PISTON PIN	1	
063	119132060	SPRING RING	2	
065	908005205	FILLISTER HEAD SCREW M5X20	4	
066	038114150	SPRING WITH THREADED INSERT	1	
067	965531121	GASKET	1	
068	038120020	CRANKSHAFT CPL.	1	
069	962210121	NEEDLE CAGE	1	
070	960102159	BALL BAERING 6202	1	
071	960102179	BALL BEARING 6203	1	
072	038111660	CRANKCASE MAGNET SIDE INC. 70	1	
073	038111640	CRANKCASE CLUTCH SIDE INC. 71	1	
074	038250020	SPIKE BAR	1	
075	038111080	CHAIN CATCH	1	
076	908005165	FILLISTER HEAD SCREW M5X16	1	
077	010114050	TANK CAP ASSY.(FUEL) INC. 78	1	
078	963228030	O-RING 28	1	
079	962900052	RADIAL RING	1	
080	962900061	RADIAL RING	1	
081	038114130	SPRING CPL.WITH CAP	1	
082	913455204	FILLISTER HEAD SCREW 5.5X20	1	
083	038114130	SPRING CPL.WITH CAP	1	
084	038114191	POT	1	
085	913455204	FILLISTER HEAD SCREW 5.5X20	1	
086	038114141	SPRING CPL.WITH CAP	1	
087	908005305	FILLSTER HEAD SCREW M5X30	6	
088	936430160	SPIRAL CLAMPING PIN	2	
089	038111042	GASKET	1	
090	934660250	SLOTTED PIN 6X24	1	
091	908005125	FILLISTER HEAD SCREW M5X12	1	
092	010245030	VENT VALVE	1	
093	038232010	BOLT	2	
094	038160600	STARTER ASSY. INC. 95-103	1	
095	928405000	SPRING WASHER	1	
096	038112630	FAN HOUSING	1	
097	001161010	STARTER GRIP	1	
098	108164020	STARTER ROPE 38-1/2"	1	
099	908605205	SCREW M5X20	3	
100	038162050	SPACER	1	
101	038162021	CABLE DRUM CPL.	1	
102	924605510	WASHER 5.5/18X1.6	1	
103	913455204	FILLISTER HEAD SCREW 5.5X20	1	
104	980114789	LABEL DCS6400	1	
105	038112020	AIR DUCT	1	
106	970502110	INSULATING HOSE	1	
107	010038143	IGNITION COIL INC. 108	1	
108	038143030	CABLE HARNESS	1	
109	957604240	SPARK PLUG CAP CPL.	1	
110	965603021	SPARK PLUG BPMR7A	1	
111	965401011	RUBBER BUSHING	1	
112	957311590	EARTH CABLE	1	

SPARE PARTS LIST

MODEL NO. DCS7300

ITEM	PART NO.	DESCRIPTION	QTY	NOTE
113	915135100	THREAD FORMING SCREW 3.5X9.5	1	
114	908304205	SCREW M4X20	2	
115	038111110	CLIP	2	
116	038141000	FLYWHEEL ASSY. INC. 117	1	
117	108166051	STARTER RATCHET ASSY.	2	
118	926208001	SPRING WASHER 8	1	
119	920208024	HEXAGONALNUT M8X1	1	
120	038245011	OIL PUMP CPL. INC. 121,124	1	
121	030245070	REPAIR KIT CPL.	1	
122	001245140	ANGULAR NIPPLE	1	
123	038245110	OIL LINE	1	
124	038245030	PUMP DRIVE	1	
125	908005125	FILLISTER HEAD SCREW M5X12	2	
126	038224021	DISC	1	
127	038245061	OIL LINE	1	
128	038245020	SUCTION LINE OIL CPL. INC. 122,123,129,130	1	
129	900005066	DISTANCE RING	1	
130	963601100	SCREEN	1	
131	001182041	GUIDE DISC	1	
132	038180012	CLUTCH ASSY.	1	
133	024184021	TENSION SPRING INC. 140	3	
134	038223020	CLUTCH DRUM	1	
135	962210024	NEEDLE CAGE	1	
136	119224070	RIM SPROCKET	1	
137	001224011	DISC	1	
138	021224011	SHIM	1	
139	927408000	WASHER	1	
140	038213220	HAND GUARD CPL. INC. 141	1	
141	980114237	LABEL	1	
142	908405205	SCREW 5X20	1	
143	038213160	BUSHING	1	
144	957213030	BREAKING MECHANISM INC. 145	1	
145	927304000	SAFETY WASHER	1	
146	908005206	SCREW 5X20	1	
147	038213152	POT	1	
148	038213130	SPRING	1	
149	038213200	FORM SPONGE	1	
150	038213010	BREAK SPRING	1	
151	915135100	THREAD FORMING SCREW 3.5X9.5	1	
152	038213040	PLATE	1	
153	915135100	THREAD FORMING SCREW 3.5X9.5	1	
154	038111030	GUIDE PLATE	1	
155	915135100	THREAD FORMING SCREW 3.5X9.5	1	
156	038213600	SPROCKET GUARD CPL. INC. 157-160,167,168	1	
157	038213635	SPROCKET GUARD	1	
158	980114784	MAKITA LABEL	1	
159	038213190	CHIP GUIDE	1	
160	957213020	CHAIN TENSIONER CPL. INC. 162,164-166	1	
161	038213080	BUSHING	1	
162	038213210	SPRING WASHER	2	
163	028213012	WASHER 12X9	1	
164	038213120	TENSIONING SCREW 12X9	1	
165	038213090	TENSIONING NUT	1	

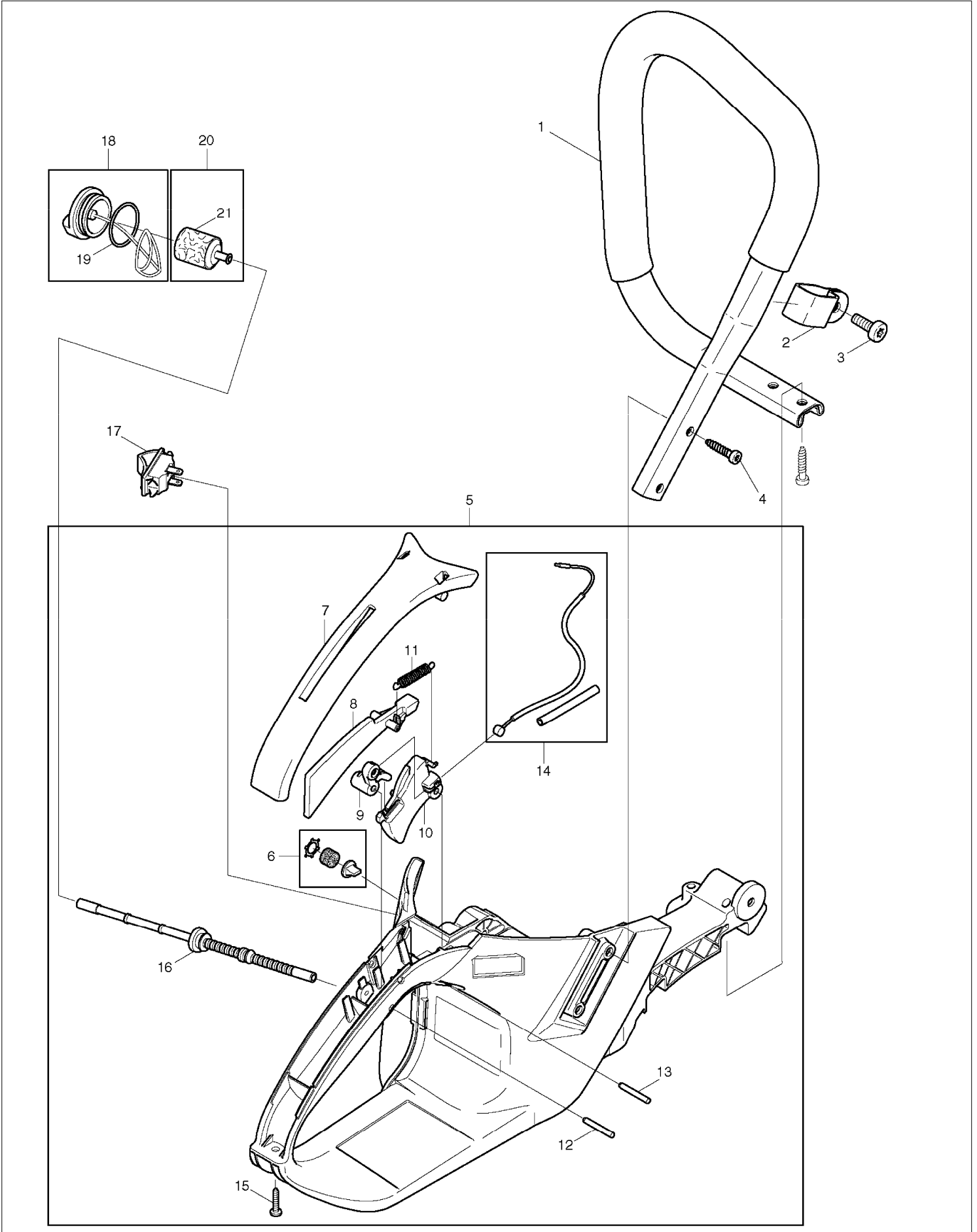
SPARE PARTS LIST

MODEL NO. DCS7300

ITEM	PART NO.	DESCRIPTION	QTY	NOTE
166	038213070	TENSIONING SCREW BEARING	1	
167	915135100	THREAD FORMING SCREW 3.5X9.5	1	
168	024213240	CHAIN GUIDE	1	
169	923208004	HEXAGONAL NUT M8	2	
170	957250060	SPIKE BAR	1	
171	908005125	FILLISTER HEAD SCREW M5X12	2	
172	920405000	HEXAGONAL NUT M5	2	
173	038153010	CARBURETOR INC. 174-178,180-189	1	
174	038153030	PUMP COVER	1	
175	038153360	SCREW	1	
176	038153040	DIAPHRAGM COVER	1	
177	001153020	SCREW	4	
178	038153060	SET DIAPHRAGM / GASKETS INC. 179	1	
179	038153070	PUMP DIAPHRAGM	1	
180	038153210	LOCKING BALL	1	
181	038153220	IDLE STOP SCREW	1	
182	028153180	SCREEN	1	
183	957153060	KIT THROTTLE SHAFT	1	
184	957153050	KIT CHOKE SHAFT	1	
185	957153070	CONTROL PARTS	1	
186	038153260	SPRING	2	
187	038153230	IDLE ADJUSTMENT SCREW	1	
188	038153240	MAIN ADJUSTMENT SCREW	1	
189	038153270	RUBBER RING	1	
190	445038655	SPROCKET NOSE BAR 15"	1	
191	528099660	SAW CHAIN 15"	1	
A01	952020650	CHAIN PROT. COVER 15"-18"	1	
A02	940827000	ANGLED SCREW DRIVER	1	
A03	941719133	UNIVERSAL WRENCH	1	
A04	944340001	SCREW DRIVER	1	
A05	950004001	PLASTIC BAG	1	

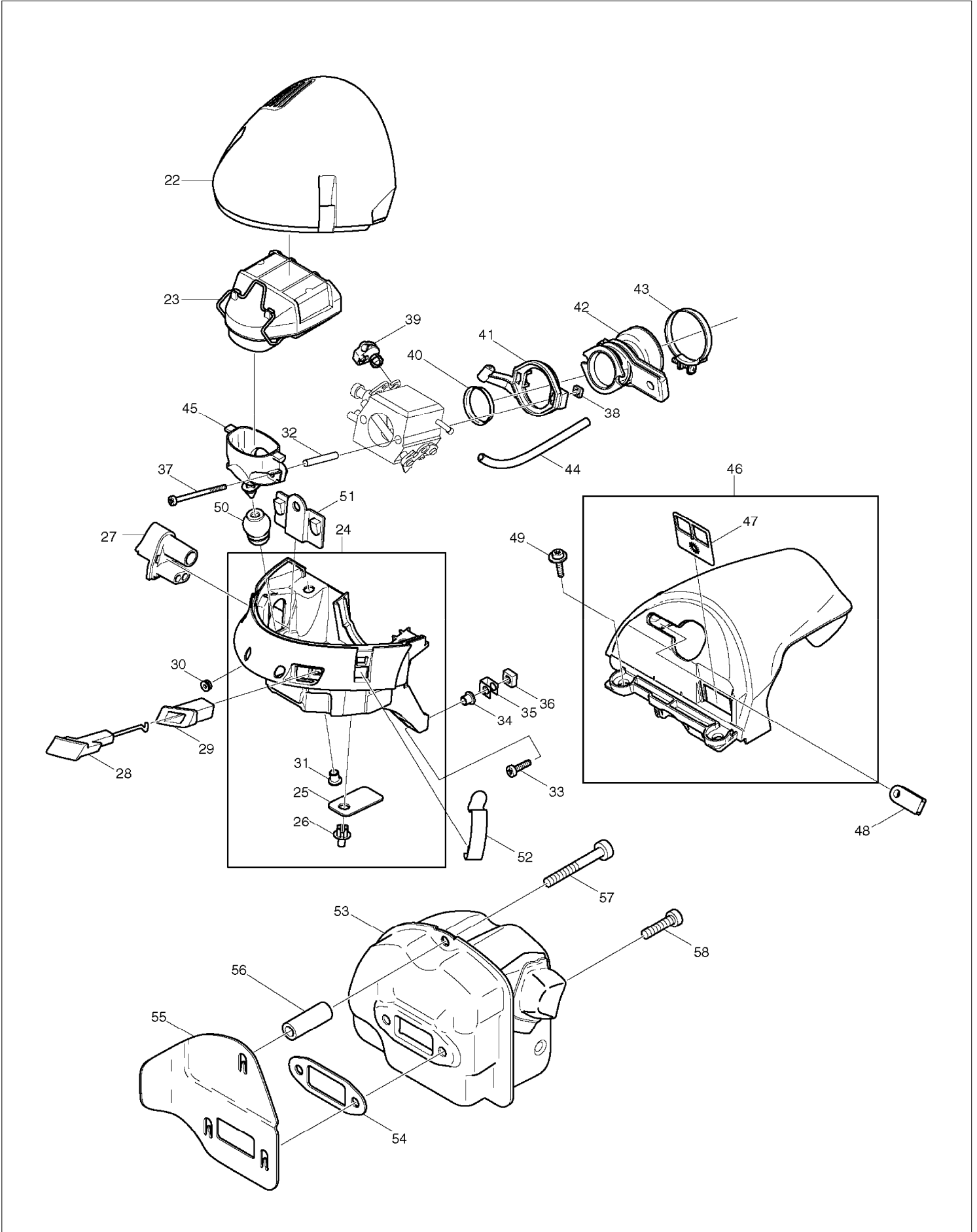
SERVICE DRAWING

MODEL NO. DCS7300



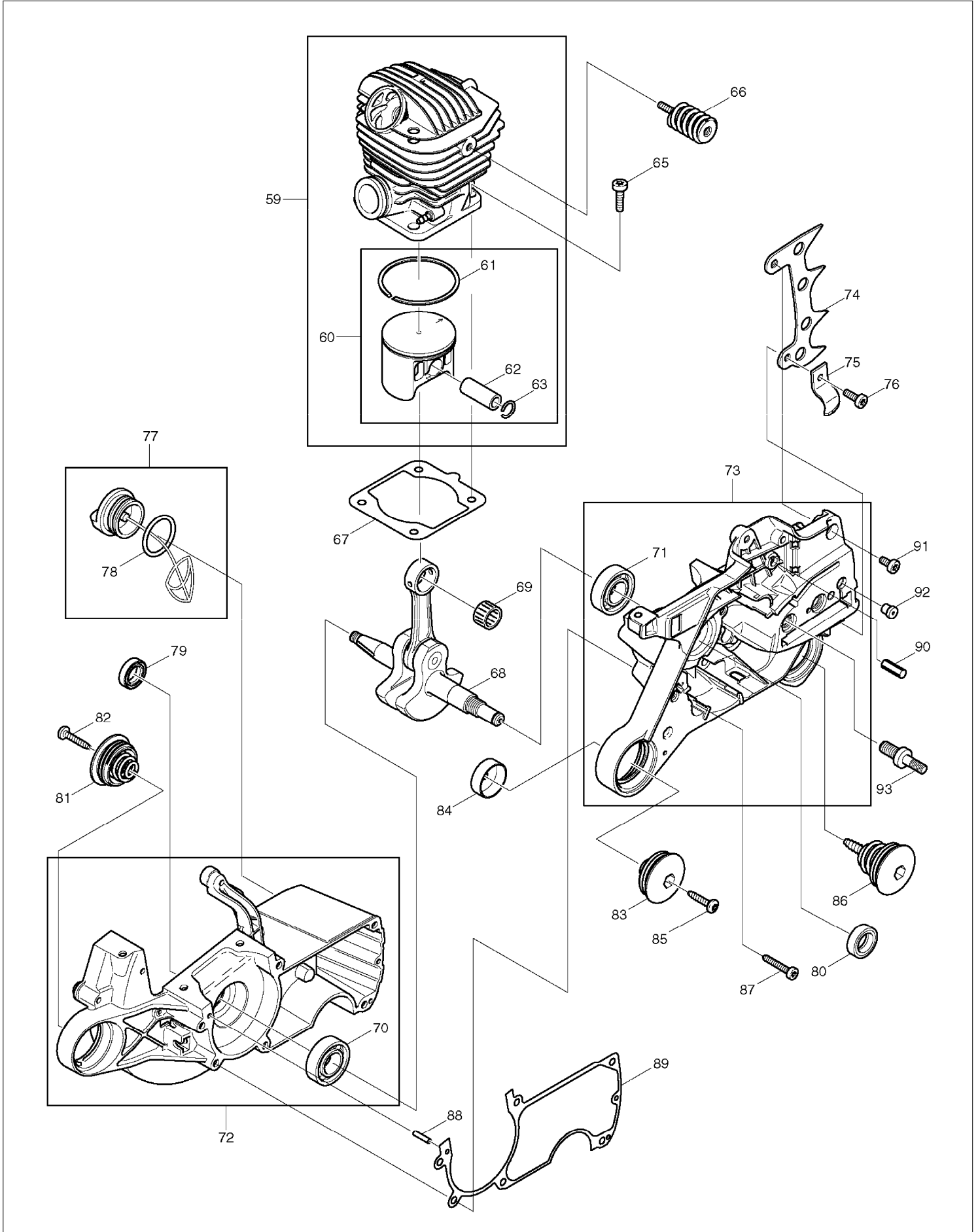
SERVICE DRAWING

MODEL NO. DCS7300



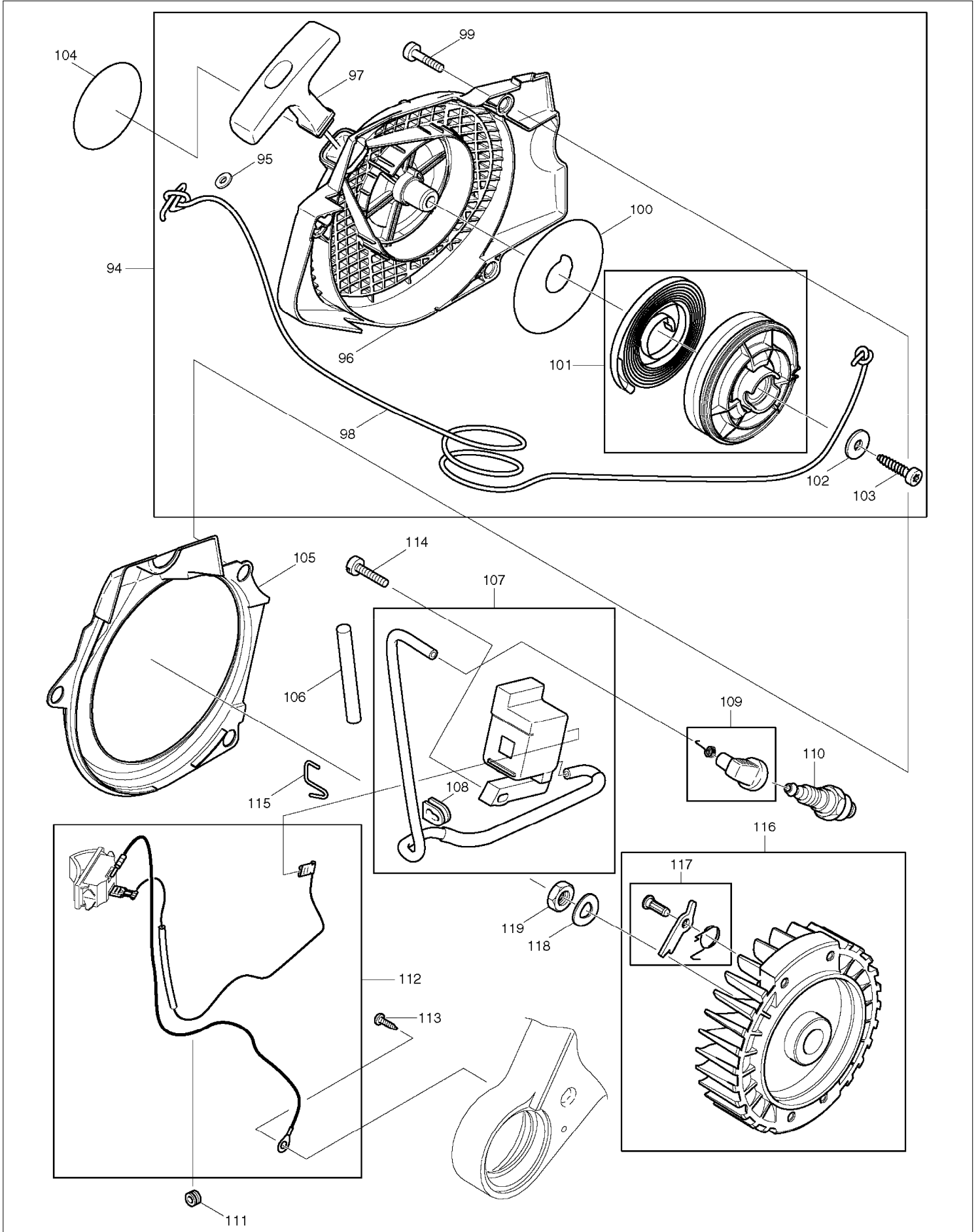
SERVICE DRAWING

MODEL NO. DCS7300



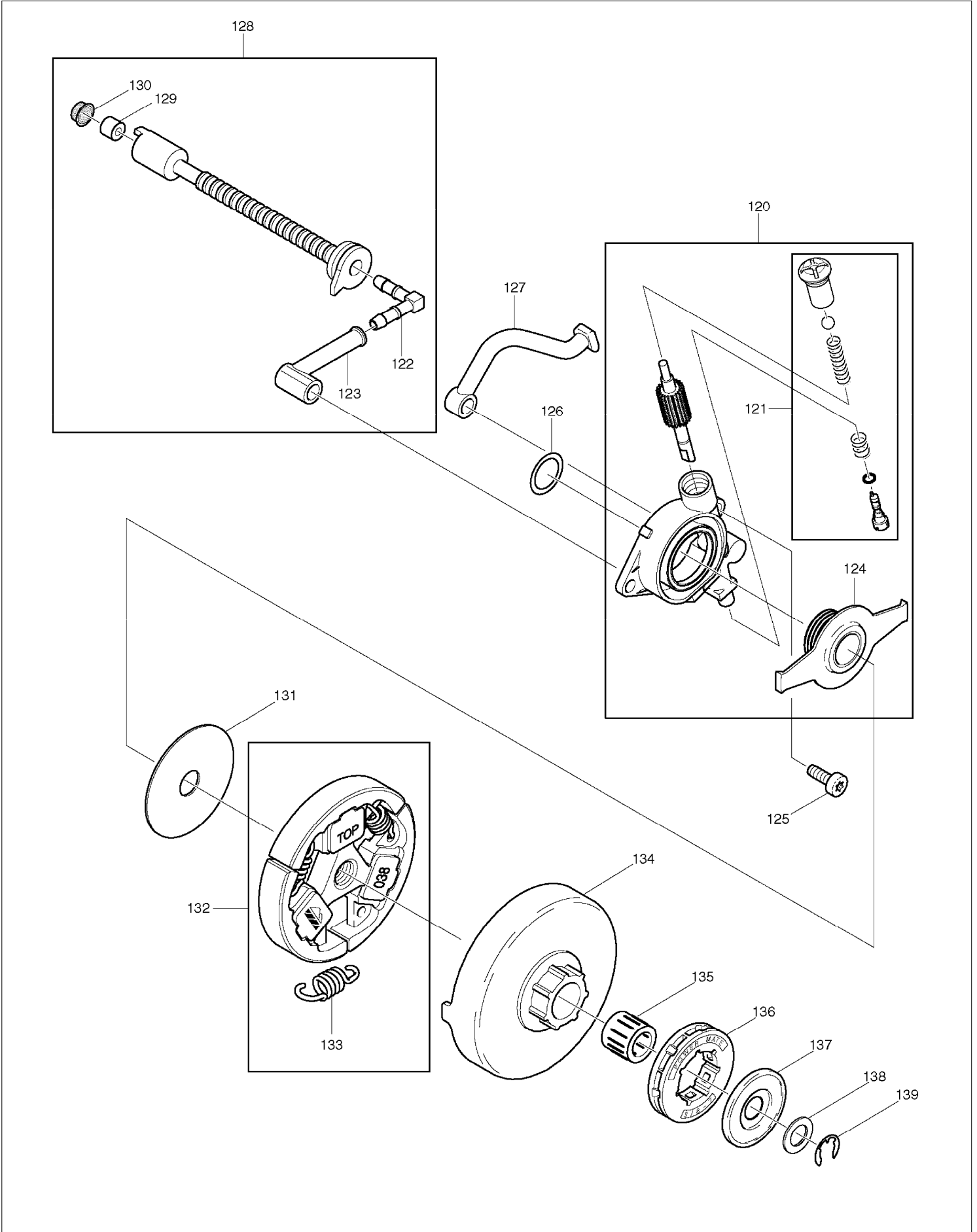
SERVICE DRAWING

MODEL NO. DCS7300



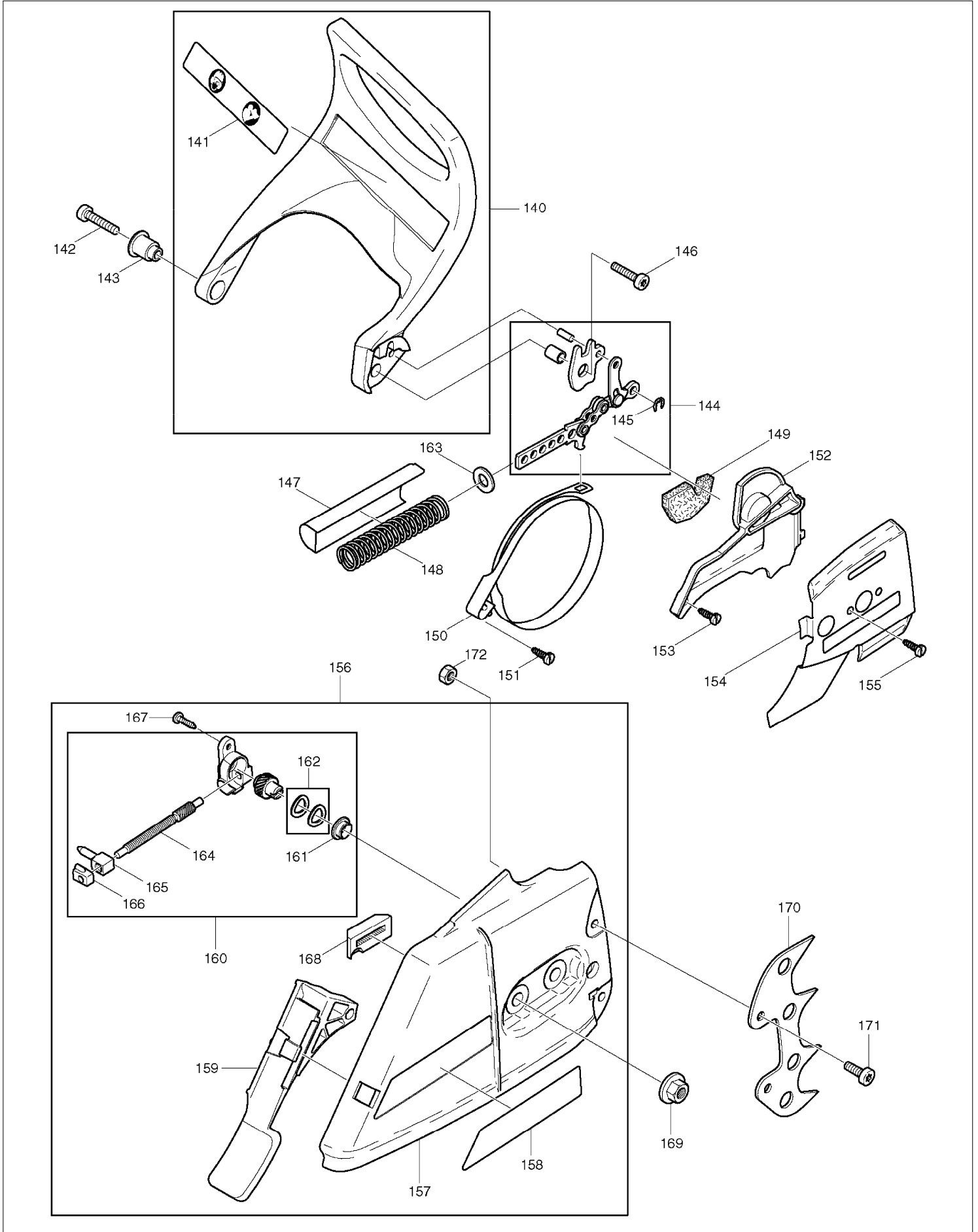
SERVICE DRAWING

MODEL NO. DCS7300



SERVICE DRAWING

MODEL NO. DCS7300



SERVICE DRAWING

MODEL NO. DCS7300

