

# SPARE PARTS LIST

MODEL NO. BC231UD

ITEM	PART NO.	DESCRIPTION	QTY	NOTE
001	265995-6	TAPPING SCREW 4X18	6	
002	188839-2	MAIN GRIP SET INC. 15	1	
003	911256-9	PAN HEAD SCREW M5X35	1	
004	265995-6	TAPPING SCREW 4X18	1	
005	687261-5	STRAIN RELIEF	1	
006	451571-4	LOCK OFF BUTTON	1	
007	234079-1	COMPRESSION SPRING 4	1	
008	651533-4	SWITCH SLE6A2-33	1	
009	452594-5	SWITCH LEVER	1	
010	451574-8	INDICATOR	1	
011	216018-3	STEEL BALL 5.0	1	
012	233211-4	COMPRESSION SPRING 2	1	
013	650629-8	SWITCH TGR3-2	1	
014	686015-7	RECEPTACLE SLEEVE	1	
015	188839-2	MAIN GRIP SET INC. 2	1	
016	265995-6	TAPPING SCREW 4X18	1	
017	188659-4	GRIP SET INC. 18	1	
018	188659-4	GRIP SET INC. 17	1	
019	911256-9	PAN HEAD SCREW M5X35	1	
020	331862-8	HANDLE 19	1	
021	168796-0	KNOB 57	1	
022	318429-9	HANDLE CLAMP	1	
023	318428-1	HANDLE HOLDER	1	
024	233202-5	COMPRESSION SPRING 20	1	
025	318427-3	PIPE HOLDER	1	
026	318426-5	PIPE CLAMP	1	
027	922241-7	HEX. SOCKET HEAD BOLT M5X25	2	
028	168478-4	HANGER	1	
029	922228-9	H.S.H.BOLT M5X18 WITH WR	1	
030	424463-0	CUSHION	1	
031	141887-2	SHAFT PIPE COMPLETE	1	
035	325812-3	SHAFT	1	
036	922218-2	H.S.H.BOLT M5X14 WITH WR	2	
037	125556-3	GEAR CASE ASSEMBLY INC. 40-44,46,49-54	1	
040	210049-4	BALL BEARING 609ZZ	1	
041	961005-4	RETAINING RING S-9	1	
042	962103-7	RETAINING RING R-24	1	
043	922241-7	HEX. SOCKET HEAD BOLT M5X25	1	
044	265590-2	+HEX.BOLT M8X10 WITH R	1	
046	183A00-2	CUTTER SHAFT SET	1	
049	210115-7	BALL BEARING 6001LLU	1	
050	962106-1	RETAINING RING R-28	1	
051	331861-0	RECEIVE WASHER	1	
052	346084-7	CLAMP WASHER	1	
053	168526-9	CUP	1	
054	264025-0	HEX. NUT M10-17	1	
055	451566-7	PROTECTOR	1	
056	451565-9	PROTECTOR COVER	1	
057	213105-9	O RING 11	2	
058	346073-2	PROTECTOR CLAMP	1	
059	922353-6	HEX.SOCKET HEAD BOLT M6X30	2	
060	911233-1	PAN HEAD SCREW M5X20	1	
061	451578-0	PIPE BRACKET COVER	1	
062	424307-4	PIPE RUBBER	1	
063	922231-0	HEX. SOCKET HEAD BOLT M5X20	1	
064	318560-1	PIPE BRACKET	1	

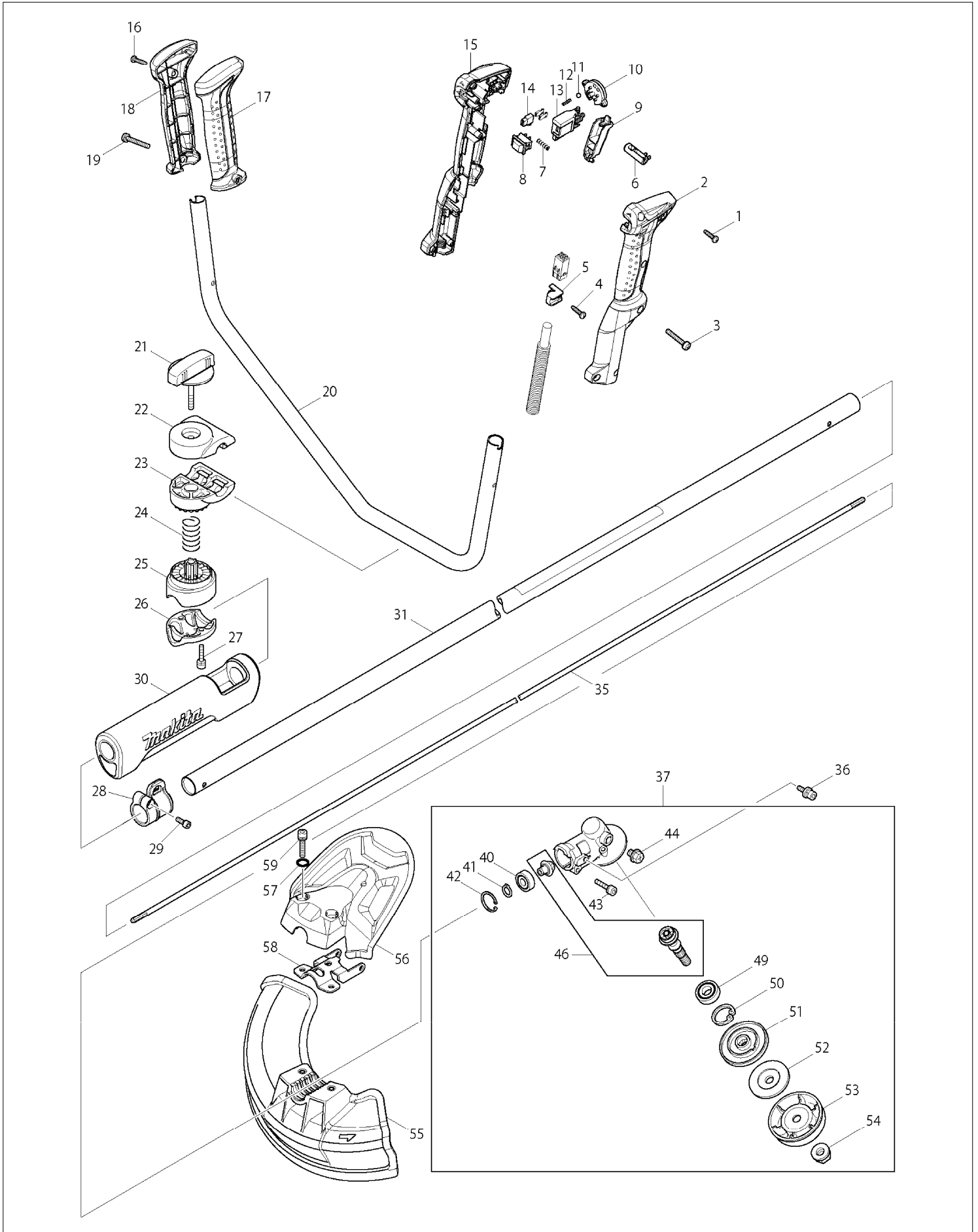
# SPARE PARTS LIST

MODEL NO. BC231UD

ITEM	PART NO.	DESCRIPTION	QTY	NOTE
065	911233-1	PAN HEAD SCREW M5X20	4	
066	263002-9	RUBBER PIN 4	1	
067	213045-1	O-RING 6	1	
068	325811-5	SPINDLE HUB	1	
069	211148-5	BALL BEARING 6001ZZ	1	
070	253744-3	FLAT WASHER 12	1	
071	227720-3	HELICAL GEAR 33	1	
072	253744-3	FLAT WASHER 12	1	
073	211150-8	BALL BEARING 6901ZZ	1	
074	318559-6	GEAR BOX	1	
075	265995-6	TAPPING SCREW 4X18	4	
076	266041-8	TAPPING SCREW 5X25	4	
077	451572-2	STAND	1	
078	911233-1	PAN HEAD SCREW M5X20	2	
079	699045-9	POWER SUPPLY CORD UNIT	1	
080	265995-6	TAPPING SCREW 4X18	5	
081	896446-4	BC231UD NAME PLATE	1	
082	251314-2	+ SCREW M4X12	4	
083	346194-0	BATTERY GUARD	1	
084	183A74-3	HOUSING SET	1	
		INC. 94		
085	265995-6	TAPPING SCREW 4X18	3	
086	188838-4	MOTOR HOUSING SET	1	
		INC. 90		
087	213961-7	O RING 22	1	
088	619254-4	ROTOR	1	
089	629880-1	STATOR	1	
090	188838-4	MOTOR HOUSING SET	1	
		INC. 86		
091	265995-6	TAPPING SCREW 4X18	1	
092	687261-5	STRAIN RELIEF	1	
093	346039-2	SUPPORT PLATE	1	
094	183A74-3	HOUSING SET	1	
		INC. 84		
095	643849-1	TERMINAL	1	
096	631942-3	CONTROLLER	1	
097	631941-5	CONTROLLER COMPLETE	1	
		INC. 95,96		
098	140285-7	INDICATION PLATE COMPLETE	1	
A01	122906-3	BAND ASSY	1	
A02	140583-9	PROTECTOR EXTENSION COMPLETE	1	
A03	265995-6	TAPPING SCREW 4X18	1	
A04	346280-7	CUTTER	1	
A05	450573-7	TOOL COVER	2	
A06	782210-8	SOCKET WRENCH 17	1	
A07	783202-0	HEX. WRENCH 4	1	
A08	783217-7	HEX. WRENCH 5	1	
A09	831304-7	ACCESSORY BAG	1	
A10	B-14118	STAR BLADE 230X4TX25.4	1	
A11	***DC36WA	DC36WA BATTERY CHARGER	1	
A12	195497-7	BATTERY BL3622A SET	2	
A13	451153-2	BATTERY COVER	1	

# SERVICE DRAWING

MODEL NO. BC231UD



# SERVICE DRAWING

MODEL NO. BC231UD

