

# SPARE PARTS LIST

MODEL NO. DBC301

ITEM	PART NO.	DESCRIPTION	QTY	NOTE
001	369118600	MOTOR HOOD CPL. INC. 2,3,5-8,13	1	
002	369118651	MOTOR HOOD	1	
003	980114296	LABEL	1	
004	913205255	SCREW 5X25	4	
005	369118041	INSULATION	1	
006	965527100	GASKET	1	
007	957179010	REEDVALVE CPL.	1	
008	913540185	SCREW 4X18	1	
009	369114102	TANK ASSY. INC. 10,11,28,31	1	
010	010114049	TANK PLUG CPL.	1	
011	965404220	VALVE	1	
012	965404941	RUBBER BUFFER	1	
013	965404960	RUBBER BUFFER	1	
015	369118020	COVER	1	
016	904905605	SCREW M5X60	1	
017	369173050	AIR FILTER	1	
020	369173030	PLATE	1	
021	913750455	SCREW 5X45	2	
022	369155010	PRIMER PUMP	1	
023	963225020	O-RING 25X2	1	
024	369155020	CHOKE LEVER	1	
025	965527110	GASKET	1	
026	965452060	TUBE	1	
027	965452060	TUBE	1	
028	965404661	FUEL LINE	1	
029	001131030	NIPPLE	1	
031	963601380	SUCTION HEAD	1	
032	369131100	CYLINDER WITH MUFFLER CPL.	1	
033	369132021	PISTON WITH CON.ROD CPL 37MM INC. 034	1	
034	021132030	PISTON RING 37MM	1	
035	913205255	SCREW 5X25	2	
036	965527081	GASKET	1	
037	369111030	CRANKCASE WITH C.SHAFT CPL. INC. 38	1	
038	939615260	KEY	1	
039	928025005	CUP SPRING	2	
040	369141100	FLYWHEEL WITH S.RATCHET CPL.	1	
041	369143010	IGNITION COIL CPL.	1	
042	913204255	SCREW 4X25	2	
043	965603021	SPARK PLUG BPMR7A	1	
044	970311450	SHORT-CIRCUIT CABLE	1	
045	965605411	PLUG	1	
046	369129010	SPACER	1	
047	369160362	STARTER CPL. INC. 49-52	1	
048	369118072	COVER FOR SPARK PLUG	1	
049	965404710	STARTER GRIP	1	
050	985000150	STARTER ROPE	1	
051	369162021	CABLE DRUM	1	
052	369163101	REWIND SPRING	1	
053	369162050	GUIDE PIECE WITH SCREW	1	
054	913540185	SCREW 4X18	2	
055	913205255	SCREW 5X25	4	
056	369188011	STOP DISC	1	
057	369181110	CLUTCH(SET)	1	
058	369223101	CLUTCH DLUM CPL.	1	
059	369217611	CLUTCH CASE	1	
060	913660254	SCREW 6X25	4	

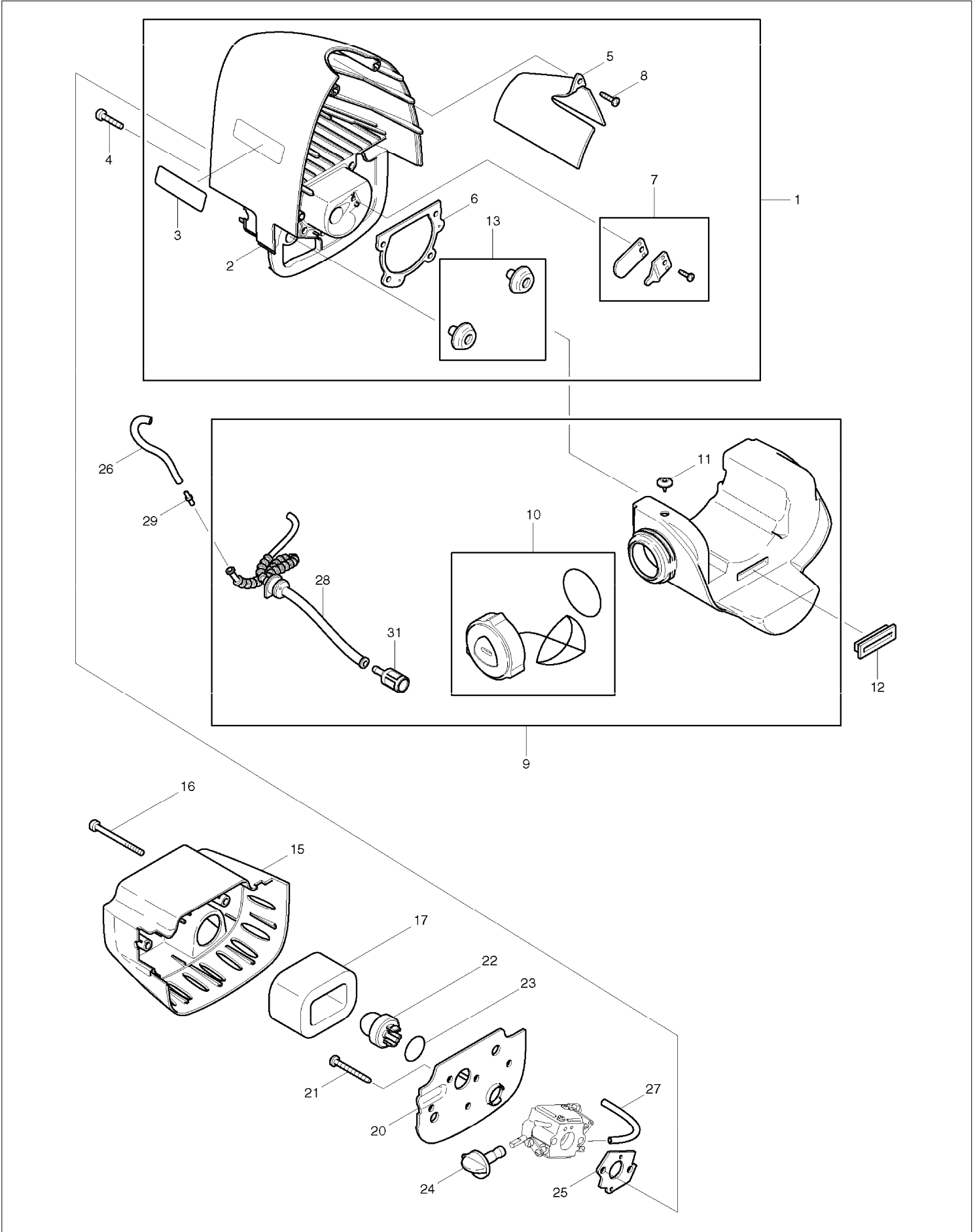
# SPARE PARTS LIST

MODEL NO. DBC301

ITEM	PART NO.	DESCRIPTION	QTY	NOTE
061	965903080	CLAMPING RING	1	
062	908006255	FILLISTER HEAD SCREW M6X25	1	
064	369153003	CARBURETOR CPL. INC. 65,69,70	1	
065	010153100	REPAIR KIT INC. 66-68	1	
066	001153180	SCREEN	1	
067	001153010	SCREW	1	
068	010153010	GASKET & DIAPHRAGM KIT INC. 66-68	1	
069	001153190	SCREW	2	
070	001153020	SCREW	2	
071	369311103	OPERATING LEVER ASSY. 25 INC. 72-76	1	
072	369311290	HANDLE HALF,RIGHT,CPL	1	
073	369311011	HANDLE HALF,LEFT	1	
074	369311042	THROTTLE LEVER	1	
075	369311071	SPRING	1	
076	975001210	SHORT CIRCUIT SWITCH	1	
080	957310040	HANDLE CPL. INC. 81-82	1	
081	908005305	FILLSTER HEAD SCREW M5X30	4	
082	920205000	HEXAGONAL NUT M5	4	
091	010261040	MAIN PIPE ASSY. INC. 92,93	1	
092	369228140	TRANSMISSION SHAFT	1	
093	980114484	LABEL	1	
094	980114148	LABEL	1	
095	369260300	SHOULDER HARNESS	1	
096	957260010	HARNESS ATTACHMENTO CPL. INC. 97,98	1	
097	920205000	HEXAGONAL NUT M5	2	
098	908005125	FILLISTER HEAD SCREW M5X12	2	
099	010341202	PROTECTION HOOD ASSY. INC. 100-103	1	
100	957341010	LINE CUTTER	1	
101	957341020	PROT. HOOD REINFORCEMENT CPL.	1	
102	385341021	PLATE	1	
103	908005095	SCREW M5X9	4	
104	387341031	FLANGE PLATE	1	
105	908005255	FILLSTER HEAD SCREW M5X25	2	
106	369200200	GEAR CPL. INC. 107-113	1	
107	908005095	SCREW M5X9	1	
108	900208104	SCREW M8X1.25X10	1	
109	963604306	GASKET	1	
110	387224011	MOUNTING DISC	1	
111	387224020	PRESSURE DISC	1	
112	387228040	SAFETY NUT M10X1.25L	1	
113	387228020	DISTANCE RING	1	
114	387224050	WINDING PREVENTER	1	
115	908005095	SCREW M5X9	3	

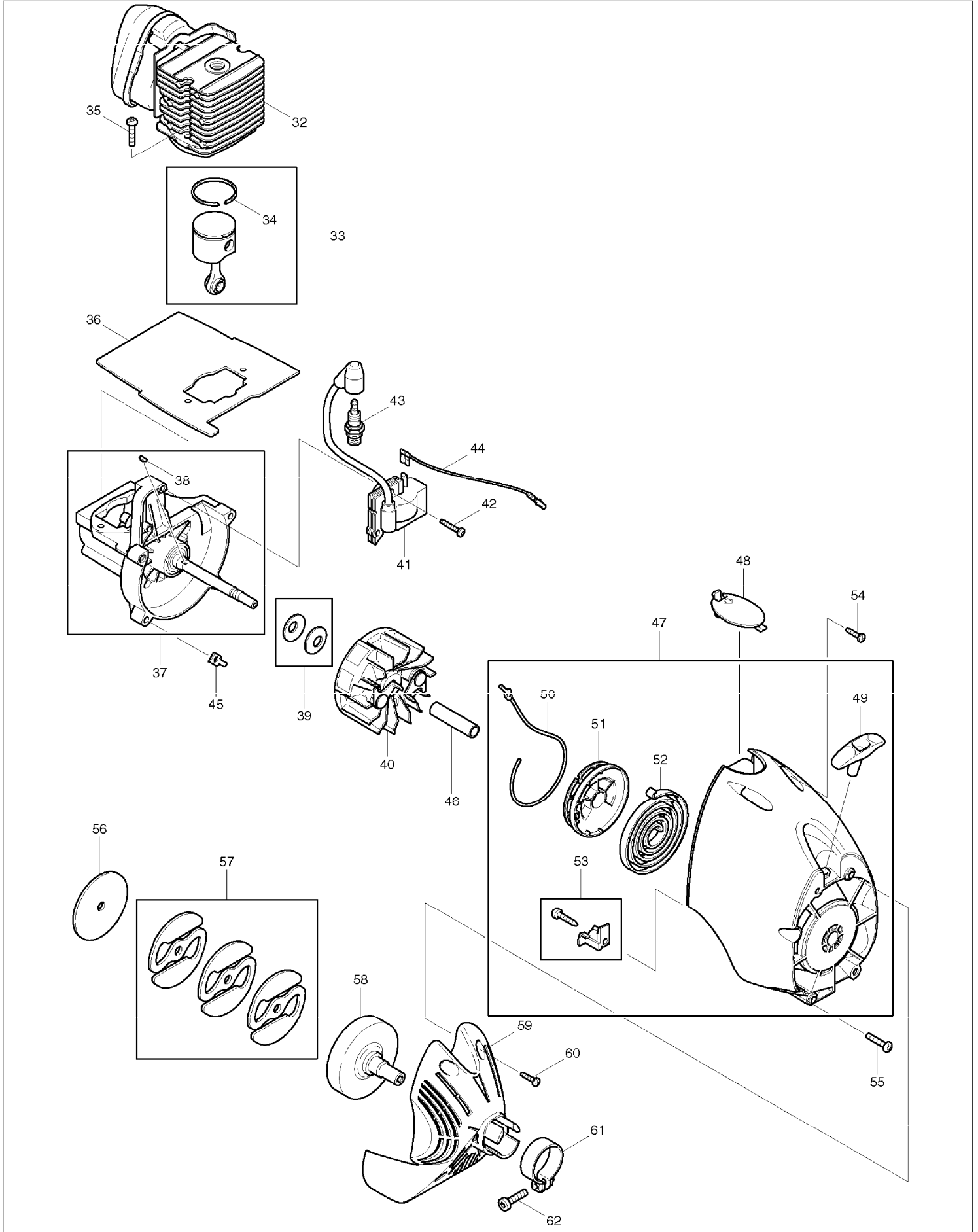
# SERVICE DRAWING

MODEL NO. DBC301



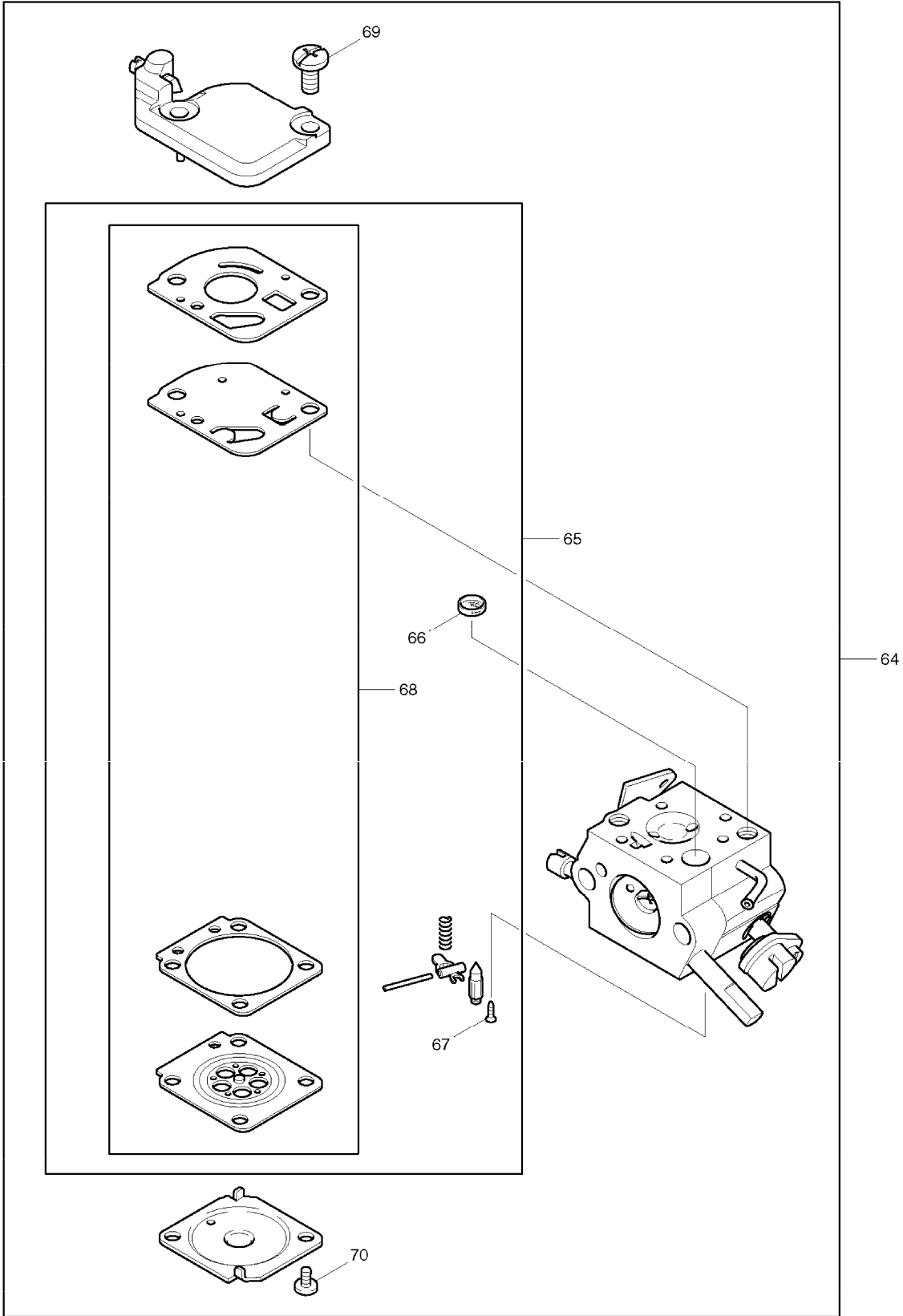
# SERVICE DRAWING

MODEL NO. DBC301



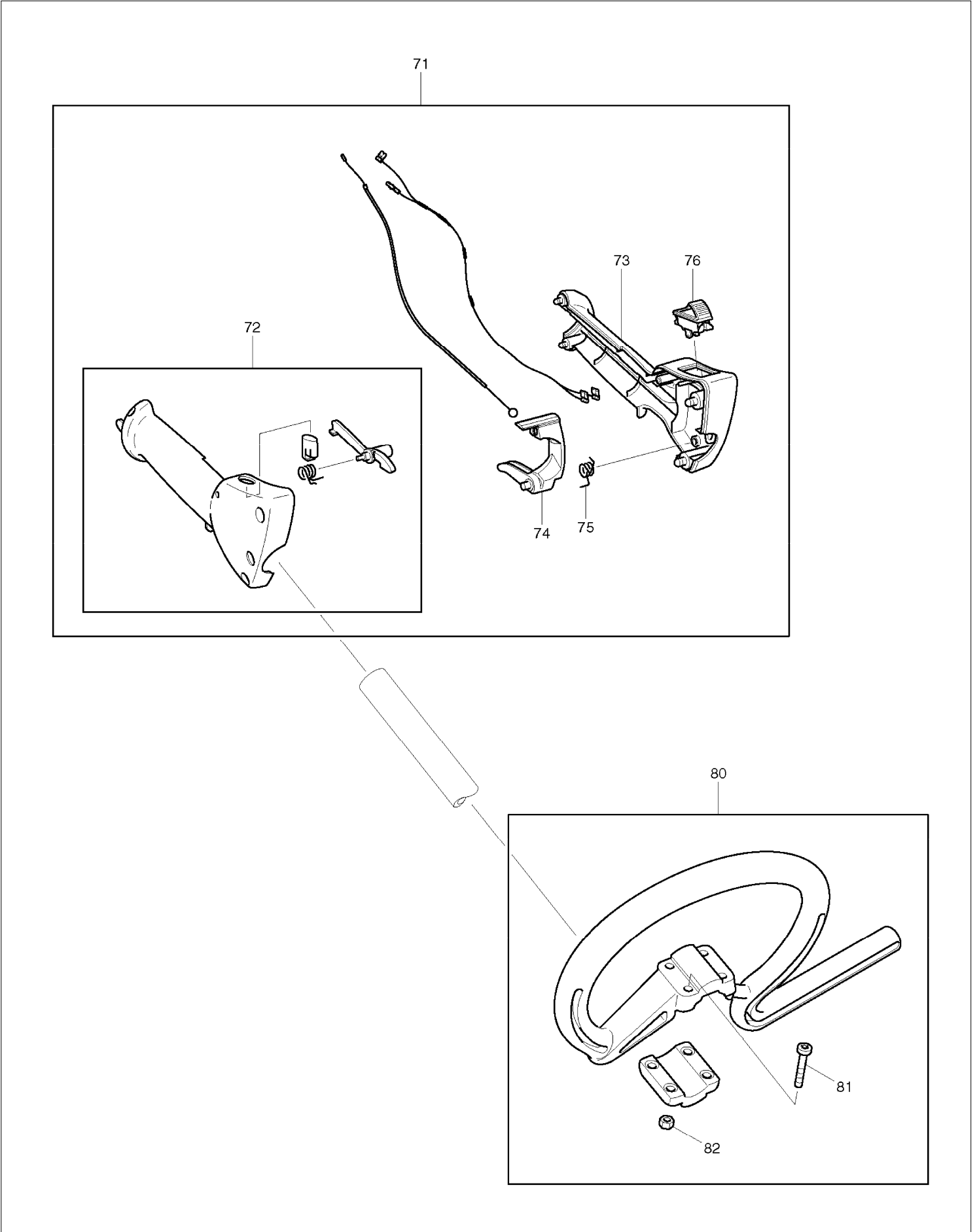
# SERVICE DRAWING

MODEL NO. DBC301



# SERVICE DRAWING

MODEL NO. DBC301



# SERVICE DRAWING

MODEL NO. DBC301

