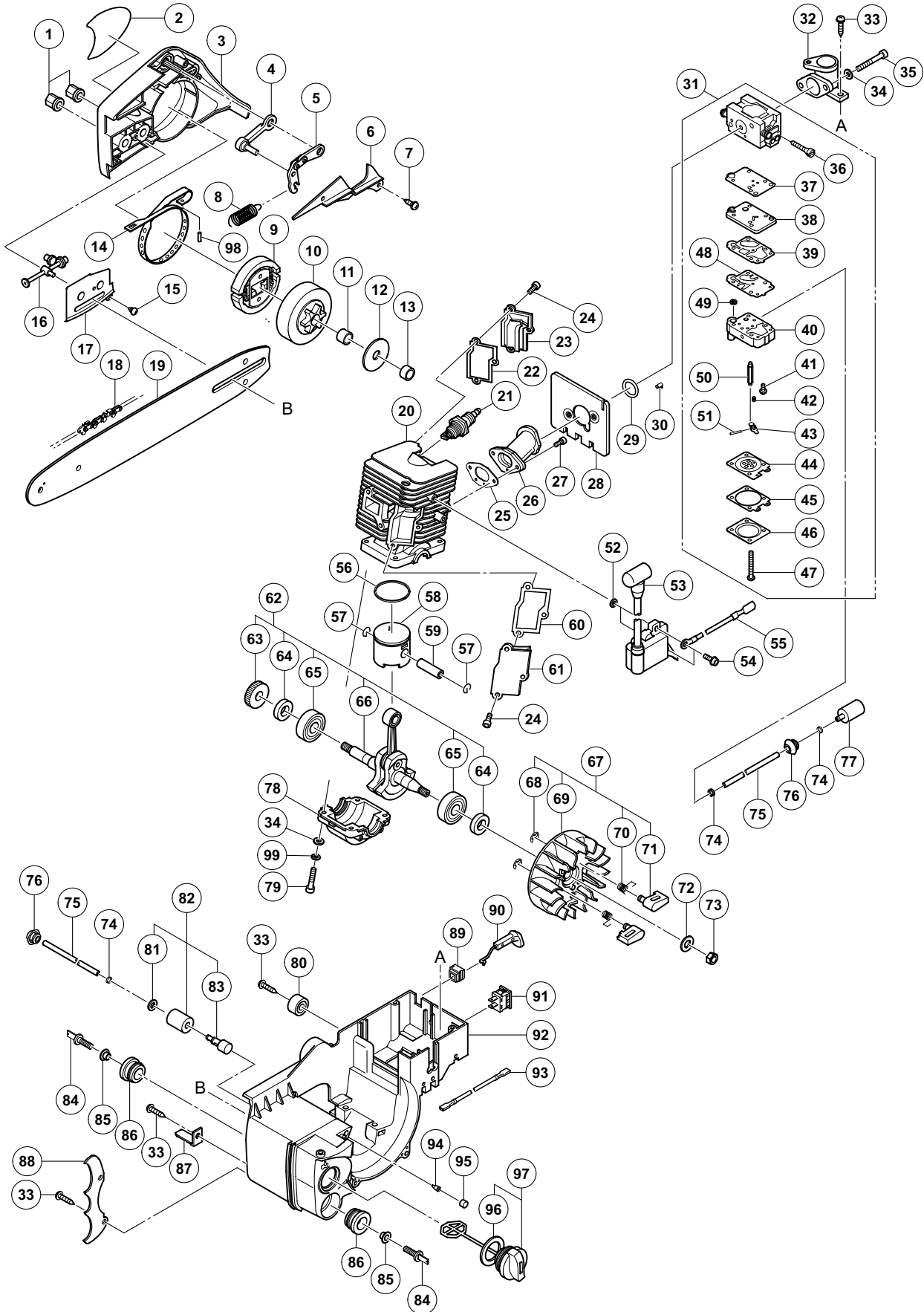


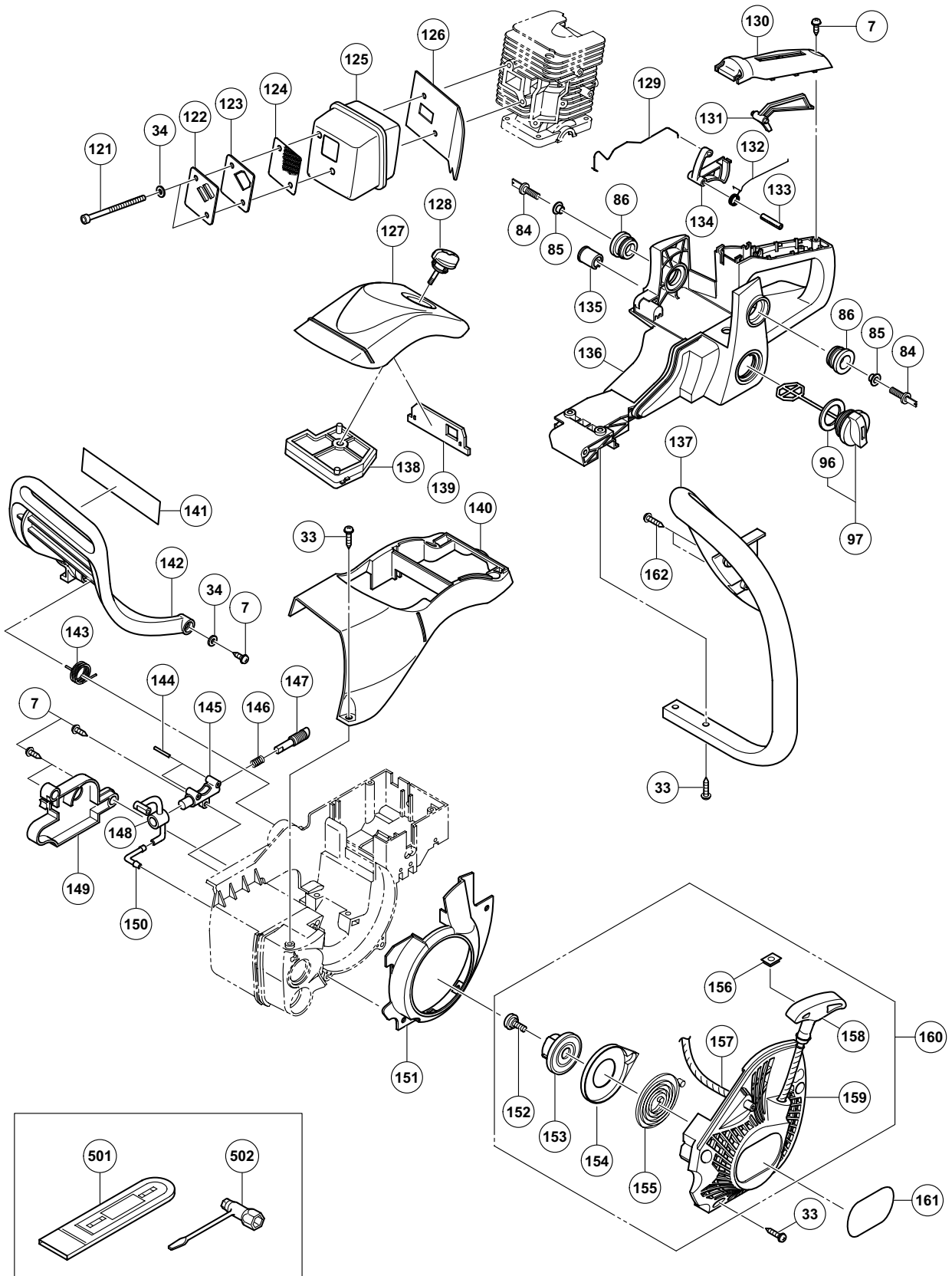
ENGINE TOOL PARTS LIST

ENGINE CHAIN SAW Model CS 33EB

2009·9·28

(E1)





PARTS

CS 33EB

ITEM NO.	CODE NO.	DESCRIPTION	NO. USED	REMARKS
1	668-5416	CHAIN BAR CLAMP NUT	2	
2		NAME PLATE	1	
3	668-5406	SIDE COVER SUB	1	
4	668-5387	BRAKE SUPPORT	1	
5	668-5388	BRAKE LINK	1	
6	668-5392	BRAKE LINK COVER	1	
7	305-812	TAPPING SCREW (W/FLANGE) D4 X 16 (BLACK)	7	
8	668-5389	BRAKE SPRING	1	
9	668-5362	CLUTCH	1	
10	668-5403	CLUTCH HOUSING	1	
11	668-5361	NEEDLE BEARING (D)	1	
12	668-5414	CLUTCH WASHER	1	
13	668-5360	CRANK SHAFT COLLAR	1	
14	668-5390	BRAKE BAND	1	
15	668-5415	TAPPING SCREW D3 X 8	2	
16	668-5393	CHAIN PULLER	1	
17	668-5394	GUIDE PLATE	1	
* 18	668-5170	SAW CHAIN (3/8 X 12") 91VG-45E	1	
* 18	668-5171	SAW CHAIN (3/8 X 14") 91VG-52E	1	
* 18	669-6330	SAW CHAIN (3/8 X 16") 91VG-57E	1	
* 19	668-5258	BAR 12 INCH	1	
* 19	668-5260	BAR 14 INCH	1	
* 19	668-5262	BAR 16 INCH	1	
* 20	668-5405	CYLINDER (B)	1	
* 20	668-5404	CYLINDER (A)	1	FOR EUROPE, USA, CAN (SINCE 8. 2009 FOR FRG)
* 21	668-5086	SPARK PLUG BPMR6A	1	
* 21	668-5085	SPARK PLUG BPM6A	1	EXCEPT FOR EUROPE, RUS, AUS, CHN, SAF, MEX, PAN, VIE
* 22	668-5317	COVER PACKING (B)	1	FOR EUROPE, USA, CAN (SINCE 8. 2009 FOR FRG)
* 23	668-5315	SCAVENGING COVER (B)	1	FOR EUROPE, USA, CAN (SINCE 8. 2009 FOR FRG)
* 24	669-6315	SEAL LOCK HEX. SOCKET HD. BOLT M4 X 8	6	FOR EUROPE, USA, CAN (SINCE 8. 2009 FOR FRG)
25	668-5318	INTAKE PACKING	1	
26	668-5319	INTAKE	1	
27	949-812	HEX. SOCKET HD. BOLT M4 X 10 (10 PCS.)	2	
28	668-5322	CARBURETOR INSULATOR	1	
29	669-6316	O-RING	1	
30	668-5321	PULSE GUIDE	1	
* 31	668-5435	CARBURETOR ASS'Y (B)	1	INCLUD. 36-51
* 31	668-5436	CARBURETOR ASS'Y (A)	1	INCLUD. 36-51 FOR EUROPE USA, CAN (SINCE 8. 2009 FOR FRG)
32	668-5323	CLEANER SUPPORT	1	
33	302-089	TAPPING SCREW (W/FLANGE) D5 X 20 (BLACK)	12	
34	668-5408	WASHER 5	9	
35	669-6317	HEX. SOCKET HD. BOLT M5 X 45	2	
36	669-6318	IDLE ADJUSTING SCREW	1	
37	669-6319	PASSAGE GASKET	1	
38	669-6320	PASSAGE PLATE	1	
39	669-6321	PUMP GASKET	1	
40	669-6322	PUMP BODY	1	
41	668-5218	HINGE PIN SET SCREW	1	

PARTS

CS 33EB

ITEM NO.	CODE NO.	DESCRIPTION	NO. USED	REMARKS
42	669-6323	METEALING LEVER SPRING	1	
43	668-5217	CONTROL LEVER	1	
44	668-4690	METERING DIAPHRAGM COMP.	1	
45	668-5220	DIAPHRAGM PACKING	1	
46	668-5222	DIAPHRAGM COVER	1	
47	669-6324	PUMP COVER SCREW	4	
48	669-6325	PUMP DIAPHRAGM	1	
49	668-4700	INLET SCREEN	1	
50	668-5215	NEEDLE VALVE	1	
51	668-5219	HINGE PIN	1	
52	668-4600	WASHER	2	
53	668-5333	IGNITION COIL	1	
54	669-6326	HEX. SOCKET HD. BOLT (W/FLANGE) M4 X 18	2	
55	668-5338	CORD (B)	1	
56	668-5331	PISTON RING	1	
57	668-5326	CIRCLIP	2	
* 58	668-5325	PISTON	1	
* 58	669-6313	PISTON	1	FOR EUROPE, USA, CAN (SINCE 8. 2009 FOR FRG)
59	668-5327	PISTON PIN	1	
* 60	668-5316	COVER PACKING (A)	1	FOR EUROPE, USA, CAN (SINCE 8. 2009 FOR FRG)
* 61	668-5314	SCAVENGING COVER (A)	1	FOR EUROPE, USA, CAN (SINCE 8. 2009 FOR FRG)
62	668-5396	CRANK WORM ASS'Y	1	INCLUD. 63-66
63	668-5330	WORM	1	
64	668-5329	OIL SEAL	2	
65	668-5328	BALL BEARING	2	
66	668-5324	CRANK SHAFT	1	
67	668-5418	MAGNETO ROTOR ASS'Y	1	INCLUD. 68-71
68	668-5336	RETAINING RING D4	2	
69	668-5332	MAGNETO ROTOR	1	
70	668-5335	STARTER PAWL SPRING	2	
71	668-5334	STARTER PAWL	2	
72	668-5410	BOLT WASHER D8	1	
73	668-5337	FLYWHEEL NUT	1	
74	668-5311	CLIP	3	
75	668-5309	FUEL PIPE (A)	2	
76	668-5308	FUEL GROMMET (A)	2	
77	668-5199	PUMP FILTER BODY	1	
78	668-5339	CRANK CASE	1	
79	668-5412	SEAL LOCK HEX. SOCKET HD. BOLT M5	4	
80	668-5313	DAMPER (B)	1	
81	668-5407	BOLT WASHER D5	1	
82	668-5249	OIL FILTER BODY ASS'Y	1	INCLUD. 81, 83
83	668-5310	OIL FILTER BODY	1	
84	668-5413	DAMPER SET BOLT	4	
85	696-314	DISTANCE PIECE (B)	4	
86	669-6327	DAMPER (A)	4	
87	668-5363	CHAIN CATCHER	1	
88	668-5400	SPIKE	1	
89	668-5369	CHOKE ROD RUBBER	1	
90	668-5368	CHOKE BUTTON	1	

PARTS

CS 33EB

ITEM NO.	CODE NO.	DESCRIPTION	NO. USED	REMARKS	
91	668-5364	STOP SWITCH	1		
92	668-5307	ENGINE CASE	1		
93	668-5365	CORD (A)	1		
94	668-5370	AIR VENT VALVE (B)	1		
95	668-5371	AIR VENT SPONGE	1		
96	668-5386	TANK CAP PACKING	2		
97	668-5384	FUEL TANK CAP ASS'Y	2	INCLUD. 96	
98	668-5391	NEEDLE ROLLER D3	1		
99	949-454	SPRING WASHER M5 (10 PCS.)	4		
121	669-6328	SEAL LOCK HEX. SOCKET HD. BOLT M5 X 75	2		
*	122	668-5343	EXHAUST PIPE	1	FOR EUROPE, USA, CAN, AUS
*	123	668-5345	GAUZE FIXING PLATE	1	FOR USA, CAN, AUS
*	124	668-5344	MUFFLER GAUZE	1	FOR USA, CAN, AUS
*	125	668-5341	MUFFLER	1	
*	125	668-5340	MUFFLER	1	FOR EUROPE, USA, CAN (SINCE 8. 2009 FOR FRG)
*	125	668-5342	MUFFLER	1	FOR AUS
	126	668-5346	MUFFLER PACKING	1	
	127	668-5382	CLEANER COVER	1	
	128	668-5383	CLEANER KNOB	1	
	129	668-5366	THROTTLE ROD	1	
	130	668-5367	REAR HANDLE GRIP	1	
	131	668-5350	TRIGGER LOCKOUT	1	
	132	668-5349	THROTTLE LEVER SPRING	1	
	133	668-5282	SPRING PIN 5 X 25	1	
	134	668-5348	THROTTLE LEVER	1	
	135	668-5351	INNER CAP	1	
	136	668-5347	REAR HANDLE	1	
	137	668-5375	FRONT HANDLE	1	
	138	668-5378	CLEANER ELEMENT	1	
	139	668-5381	SHUTTER PLATE	1	
*	140	668-5376	CYLINDER COVER	1	
*	140	668-5377	CYLINDER COVER	1	FOR EUROPE, USA, CAN (SINCE 8. 2009 FOR FRG)
*	141		CAUTION LABEL (A)	1	FOR EUROPE
	142	668-5373	BRAKE HANDLE	1	
	143	668-5374	BRAKE LEVER SPRING	1	
	144	668-5356	NEEDLE ROLLER 2.5 X 9.8	2	
	145	668-5353	PUMP CASE	1	
	146	668-5355	PUMP GEAR SPRING	1	
	147	668-5354	PUMP GEAR	1	
	148	668-5357	OIL PIPE	1	
	149	668-5359	PUMP COVER	1	
	150	668-5358	PIPE JOINT	1	
	151	668-5372	AIR DEFLECTOR	1	
	152	668-5431	SET SCREW	1	
	153	668-5428	REEL	1	
	154	668-5430	SPRING CASE	1	
	155	668-5429	RECOIL SPRING	1	
	156	668-5434	ROPE STOPPER	1	
	157	668-5432	ROPE	1	
	158	668-5433	STARTER KNOB	1	

PARTS

CS 33EB

ITEM NO.	CODE NO.	DESCRIPTION	NO. USED	REMARKS
159	668-5426	STARTER CASE	1	
160	668-5424	RECOIL STARTER ASS'Y	1	INCLUD. 152-159
161		HITACHI LABEL	1	
162	305-558	TAPPING SCREW (W/FLANGE) D5 X 25 (BLACK)	2	

STANDARD ACCESSORIES

ITEM NO.	CODE NO.	DESCRIPTION	NO. USED	REMARKS
* 501	668-5401	CHAIN COVER 12"	1	
* 501	668-5439	CHAIN COVER 14"	1	
* 501	668-5440	CHAIN COVER 16"	1	
502	668-5402	COMBI BOX SPANNER 10/19MM	1	

OPTIONAL ACCESSORIES

ITEM NO.	CODE NO.	DESCRIPTION	NO. USED	REMARKS
* 601	668-5294	CHAIN BAR 12 INCH 3/8 SP	1	
* 601	668-5295	CHAIN BAR 14 INCH 3/8 SP	1	
602	669-6329	SPIKE SET	1	