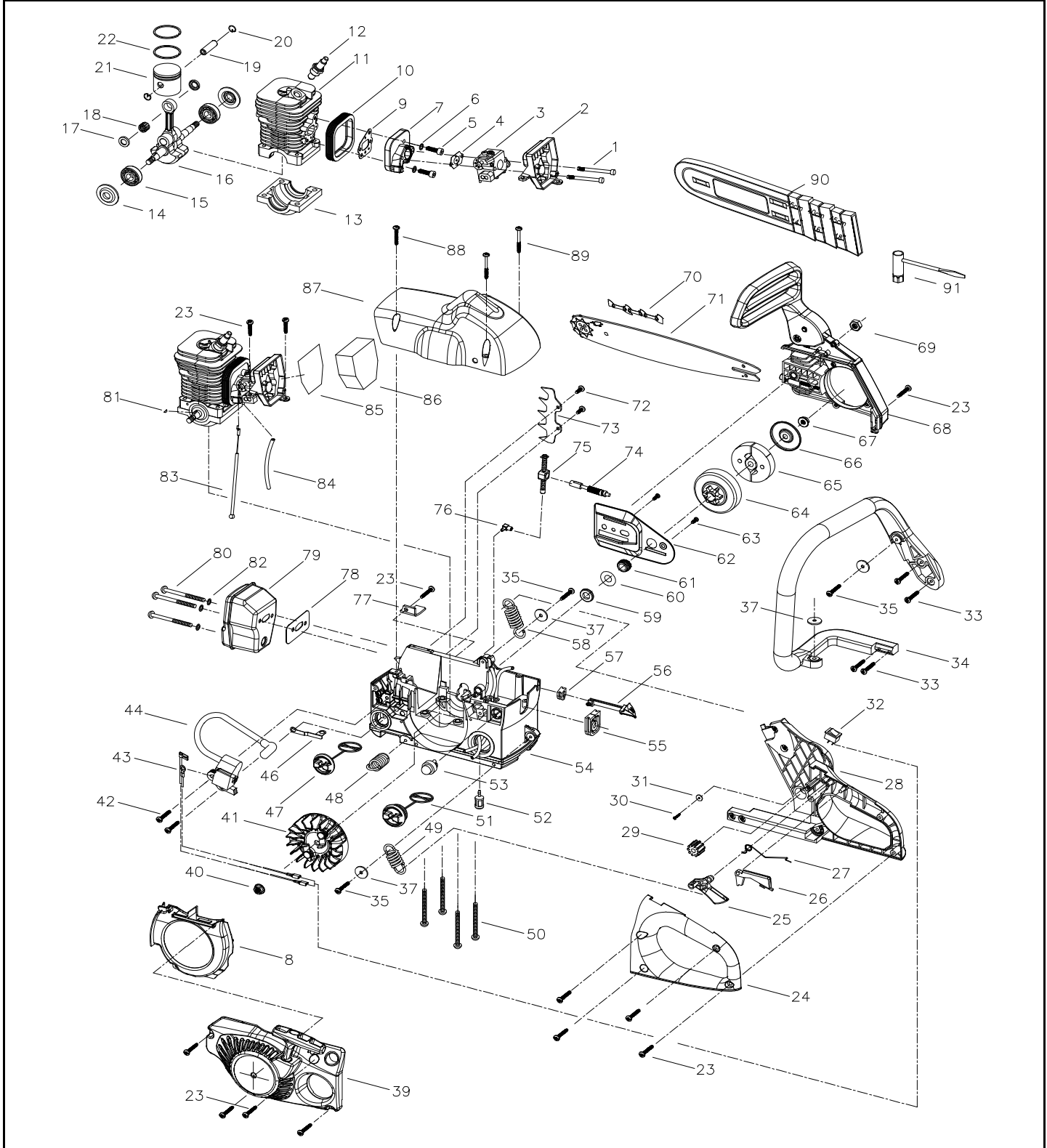


## SERVICE SPARE PARTS LIST

| SPECIFY MODEL NO. WHEN ORDERING PARTS |     | DATE       | REVISED DATE |
|---------------------------------------|-----|------------|--------------|
| 45cc CHAIN SAW                        |     | 20.12.2007 | 20.12.2007   |
| MODEL NO.                             | 345 |            |              |





**SERVICE SPARE PARTS LIST**

|  |  |            |  |                   |  |                     |  |
|--|--|------------|--|-------------------|--|---------------------|--|
| <b>SPECIFY MODEL NO. WHEN ORDERING PARTS</b> |  |            |  | <b>DATE</b>       |  | <b>REVISED DATE</b> |  |
| <b>45cc CHAIN SAW</b>                        |  |            |  | <b>20.12.2007</b> |  | <b>20.12.2007</b>   |  |
| <b>MODEL NO.</b>                             |  | <b>345</b> |  |                   |  | <b>V0</b>           |  |

| No. | STK code | Parts No.         | Description          | Q  | No. | STK code | Parts No.      | Description         | Q |
|-----|----------|-------------------|----------------------|----|-----|----------|----------------|---------------------|---|
| 1   |          | 9SKKB-05-70       | SCREW                | 2  | 48  |          | 9228-310566    | SPRING ASSY         | 1 |
| 2   |          | 9228-311504       | AIR FILTER ASS'Y     | 1  | 49  |          | 9024-310506    | SPRING              | 1 |
| 3   |          | 9287-310501       | CARBURETOR           | 1  | 50  |          | 9SFAB-06-55    | SCREW               | 4 |
| 4   |          | 9082-310506       | SPACER               | 1  | 51  |          | 9228-310206    | FUEL CAP ASS'Y      | 1 |
| 5   |          | 9SACB-06-25       | SCREW                | 2  | 52  |          | 9182-310503    | FILTER              | 1 |
| 6   |          | 9WFB-06-10        | SPRING WASHER        | 2  | 53  |          | 9142-310002    | PRIMER              | 1 |
| 7   |          | 9082-310504       | ISOLATOR, CARBURETOR | 1  | 54  |          | 9228-311503    | HOUSING ASSY        | 1 |
| 8   |          | 9211-311501       | COVER                | 1  | 55  |          | 9012-310503    | HOLDER, CABLE       | 1 |
| 9   |          | 9082-310505       | SPACER               | 1  | 56  |          | 9114-310510    | LEVER, CHOKE        | 1 |
| 10  |          | 9012-310502       | RUBBER, ISOLATOR     | 1  | 57  |          | 9012-310504    | HOLDER, CHOKE LEVEL | 1 |
| 11  |          | 9292-311501F      | CYLINDER             | 1  | 58  |          | 9024-310507    | SPRING              | 1 |
| 12  |          | 9295-310501       | SPARK PLUG           | 1  | 59  |          | 9157-310501    | FELT                | 1 |
| 13  |          | 9072-310501F      | CASE, CRANK          | 1  | 60  |          | 9082-310511    | WASHER              | 1 |
| 14  |          | 9157-310502       | CAP, BEARING         | 2  | 61  |          | 9073-310503    | WORM                | 1 |
| 15  |          | 9DB-620101        | BEARING              | 2  | 62  |          | 9017-310508    | CAP, ANTI-DUST      | 1 |
| 16  |          | 9228-311507       | CRANK/ROD ASS'Y      | 1  | 63  |          | 6SDABB04-08    | SCREW               | 2 |
| 17  |          | 9131-311501       | WASHER               | 2  | 64  |          | 9228-310515    | DRUM ASSY           | 1 |
| 18  |          | 9NB-K101410       | ROLLER, PISTON       | 1  | 65  |          | 9228-310528    | CLUTCH ASSY         | 1 |
| 19  |          | 9PC-10-34.5       | PIN, PISTON          | 1  | 66  |          | 9077-310501    | CAP, ANTI-DUST      | 1 |
| 20  |          | 9CA-10.3          | RING                 | 2  | 67  |          | 9NH-09         | NUT                 | 1 |
| 21  |          | 9290-311501       | PISTON               | 1  | 68  |          | 9228-31D503    | BRAKE KIT ASSY      | 1 |
| 22  |          | 9189-311501       | RING, PISTON         | 2  | 69  |          | 9NAZ-5/16-18   | NUT                 | 1 |
| 23  |          | 9SGKBY10/14-0.625 | SCREW                | 12 | 70  |          | 9220-310101    | CHAIN               | 1 |
| 24  |          | 9068-310501       | HANDLE, LEFT PART    | 1  | 71  |          | 9040-310503    | BAR, CARLTON        | 1 |
| 25  |          | 9028-310502       | TRIGGER, THROTTLE    | 1  | 72  |          | 9SKKBY8/16-0.5 | SCREW               | 2 |
| 26  |          | 9028-310501       | TRIGGER, RELEASE     | 1  | 73  |          | 9227-310501    | SPIKED BUMPER       | 1 |
| 27  |          | 9024-310504       | SPRING               | 1  | 74  |          | 9228-310526    | PUMP ASSY           | 1 |
| 28  |          | 9068-310502       | HANDLE, REAR         | 1  | 75  |          | 9013-310501    | OIL PIPE            | 1 |
| 29  |          | 9027-310101       | RUBBER               | 1  | 76  |          | 9124-310102    | CONNECTOR           | 1 |
| 30  |          | 9SKKBB-04-10      | SCREW                | 1  | 77  |          | 9263-31D501    | CHAIN CATCHER       | 1 |
| 31  |          | 9WFB-4.5-13       | WASHER               | 1  | 78  |          | 9082-310507    | BAFFLE              | 1 |
| 32  |          | 9022-310501       | SWITCH               | 1  | 79  |          | 9228-311505    | MUFFLER ASSY        | 1 |
| 33  |          | 9SKKBY10/14-0.68  | SCREW                | 4  | 80  |          | 9SXDB-06-70    | SCREW               | 3 |
| 34  |          | 9068-MD0701       | HANDLE, FRONT        | 1  | 81  |          | 9221-310001    | WOODRUFF KEY        | 1 |
| 35  |          | 9SKKBY8/16-0.625  | SCREW                | 4  | 82  |          | 6WSB-06        | SPRING WASHER       | 3 |
| 37  |          | 9WFB-05-21        | WASHER               | 4  | 83  |          | 9010-311501    | CABLE, THROTTLE     | 1 |
| 39  |          | 9228-311506       | STARTER HOUSING ASSY | 1  | 84  |          | 9129-310504    | FUEL PIPE           | 1 |
| 40  |          | 9NAB-5/16-24      | NUT                  | 1  | 85  |          | 9183-311501    | MESH                | 1 |
| 41  |          | 9228-31D539       | FLYWHEEL             | 1  | 86  |          | 9252-311501    | FILTER, AIR         | 1 |
| 42  |          | 9SGEB-05-20       | SCREW                | 2  | 87  |          | 9017-310509    | SHROUD              | 1 |
| 43  |          | 9010-311502       | WIRE ASSY            | 1  | 88  |          | 9SKKBY-8/16-1  | SCREW               | 1 |
| 44  |          | 9288-310501       | IGNITION ASSY        | 1  | 89  |          | 9SKKBY8/16-1.4 | SCREW               | 2 |
| 46  |          | 9051-310501       | CONDUCTIVE PLATE     | 1  | 90  |          | 6101-210507    | BAR COVER           | 1 |
| 47  |          | 9228-310207       | OIL CAP ASS'Y        | 1  | 91  |          | 9042-310201    | SOCKET WRENCH       | 1 |

STK Codes are:

A - consumable parts    B - one year broken parts    C - three years broken parts    D - five years broken parts    E- Not easy broken parts