

# SPARE PARTS LIST

MODEL NO. DUR182U

ITEM	PART NO.	DESCRIPTION	QTY	NOTE
001	158659-8	HANDLE COMPLETE	1	
002	135395-3	HANDLE HOLDER ASS'Y INC. 3-7	1	
003	922241-7	HEX. SOCKET HEAD BOLT M5X25	4	
004	318272-6	HANDLE HOLDER 1	1	
005	318273-4	HANDLE HOLDER 2	1	
006	318274-2	HANDLE HOLDER 3	1	
007	922251-4	HEX. SOCKET HEAD BOLT M5X30	2	
008	332068-1	HANDLE 19	1	
009	187587-0	MAIN GRIP SET INC. 15	1	
010	651533-4	SWITCH SLE6A2-33	1	
011	686015-7	RECEPTACLE SLEEVE	1	
012	454298-5	LOCK OFF BUTTON	1	
013	233114-2	COMPRESSION SPRING 4	1	
014	454295-1	SWITCH LEVER	1	
015	187587-0	MAIN GRIP SET INC. 9	1	
016	650704-0	SWITCH D2SW-P01L1-3M	1	
017	234003-4	COMPRESSION SPRING 5	1	
018	687261-5	STRAIN RELIEF	1	
019	265995-6	TAPPING SCREW 4X18	1	
020	265995-6	TAPPING SCREW 4X18	5	
021	911256-9	PAN HEAD SCREW M5X35	1	
022	699060-3	POWER SUPPLY CORD UNIT	1	
023	187665-6	HOUSING SET INC. 30	1	
024	346248-3	CLAMP 24	1	
025	265995-6	TAPPING SCREW 4X18	1	
026	687261-5	STRAIN RELIEF	1	
027	265995-6	TAPPING SCREW 4X18	1	
028	620196-7	CONTROLLER A	1	
029	142134-4	SUB CONTROLLER COMPLETE	1	
030	187665-6	HOUSING SET INC. 23	1	
031	265995-6	TAPPING SCREW 4X18	6	
032	815M97-2	DUR182U NAME PLATE	1	
033	644808-8	TERMINAL	1	
034	424463-0	CUSHION	1	
035	168478-4	HANGER	1	
036	922228-9	H.S.H.BOLT M5X18 WITH WR	1	
056	187585-4	MOTOR HOUSING SET INC. 69	1	
057	629985-7	STATOR	1	
058	619324-9	ROTOR	1	
059	213373-4	O RING 22	1	
060	318978-6	BEARING BOX	1	
061	213325-5	O RING 19	1	
062	210022-4	BALL BEARING 626DDW	1	
063	227773-2	HELICAL GEAR 31	1	
064	326275-6	CUTTER SHAFT	1	
065	210059-1	BALL BEARING 6000DDW	1	
066	324917-6	RECEIVE WASHER	1	
069	187585-4	MOTOR HOUSING SET INC. 56	1	
070	265995-6	TAPPING SCREW 4X18	8	
071	424567-8	RUBBER SLEEVE 24	1	
075	142253-6	PIPE COMPLETE	1	
077	699059-8	POWER SUPPLY CORD UNIT	1	
079	346622-5	GUARD	1	
080	326348-5	WIRE GUARD	1	

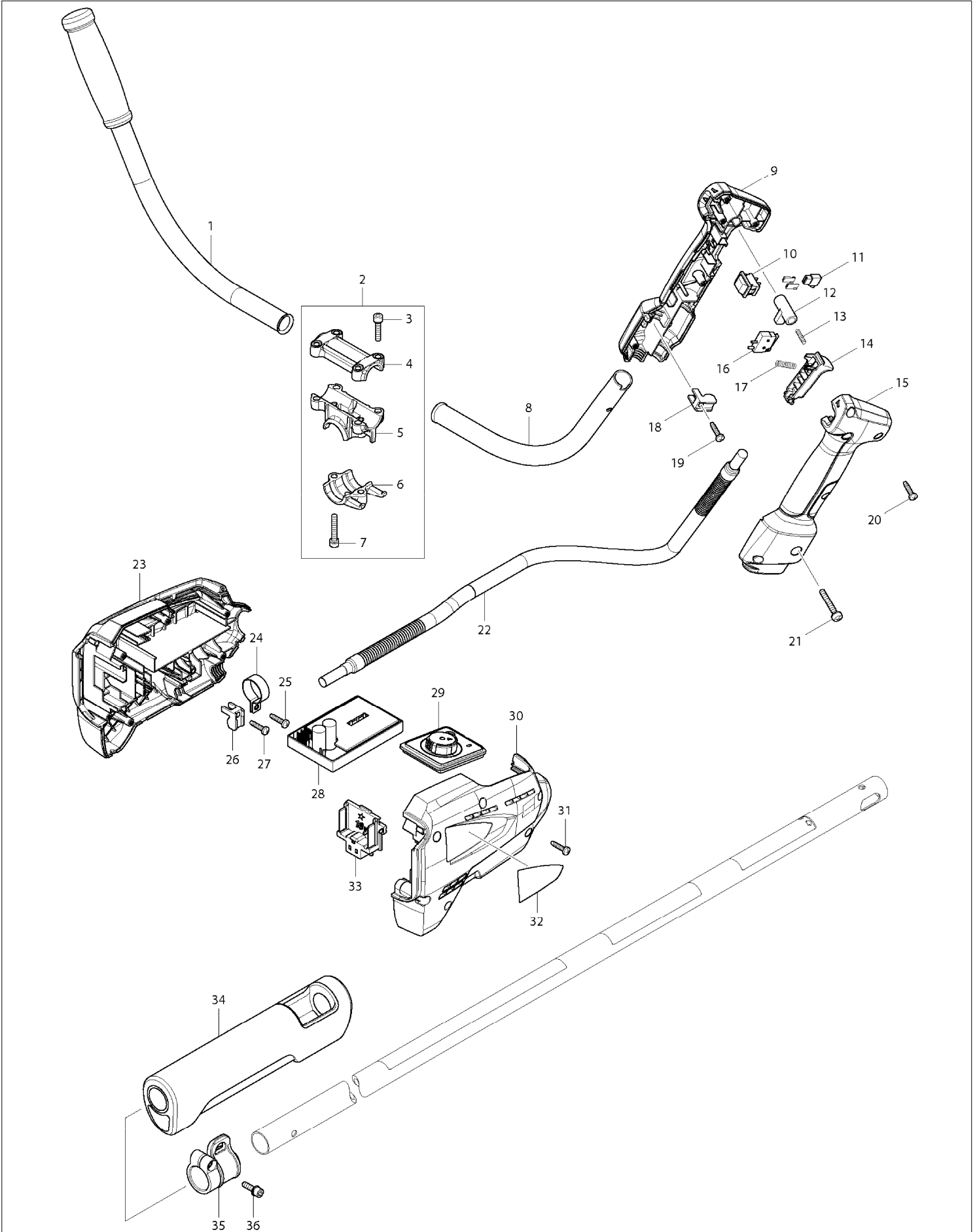
# SPARE PARTS LIST

MODEL NO. DUR182U

ITEM	PART NO.	DESCRIPTION	QTY	NOTE
081	413143-3	WASHER	2	
082	454641-8	PROTECTOR HOLDER	1	
083	942151-2	SPRING WASHER 6	2	
084	266579-3	HEX SOCKET HEAD BOLT M6X30	2	
085	266427-6	TAPPING SCREW 4X12	1	
086	346725-5	CUTTER	1	
087	454640-0	PROTECTOR	1	
A01	123235-7	CUTTER ASSEMBLY	1	
A02	125516-5	BAND ASSEMBLY	1	
A03	195246-2	SAFETY GOGGLE	1	
A04	783202-0	HEX. WRENCH 4	1	
A05	783217-7	HEX. WRENCH 5	1	
A06	831304-7	ACCESSORY BAG	1	
A07	450128-8	BATTERY COVER	1	
A08	***DC18RC	DC18RC FAST CHARGER	1	
A09	196015-4	BATTERY BL1830 SET	1	

# SERVICE DRAWING

MODEL NO. DUR182U



# SERVICE DRAWING

MODEL NO. DUR182U

