

UN002420-MA

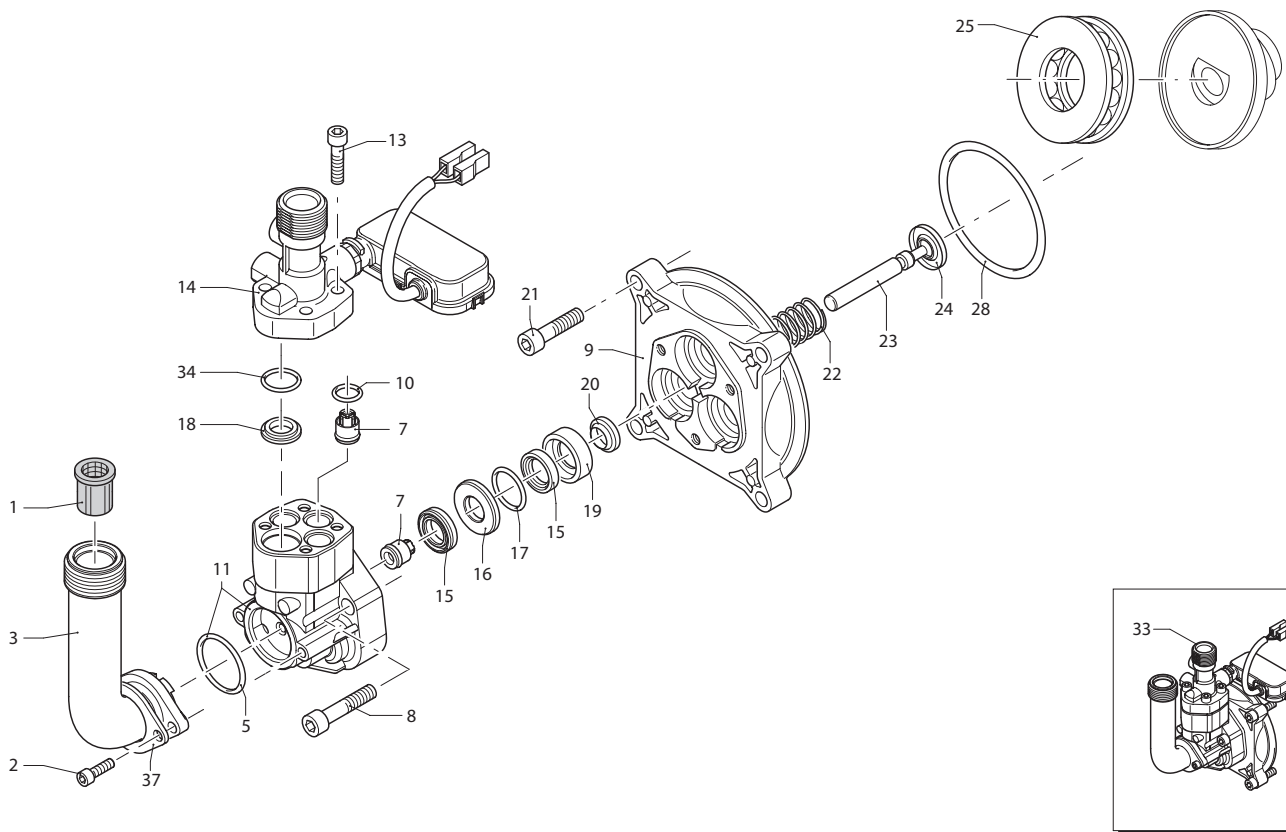
Pos.	Cod. Part n°	Denominazione	Description	Q.tà Q.ty	Note Vedi / See
1	2860087	Cofano verde	Green casing	1	
2	2440530	Manico	Handle	1	● □
	2860050	Manico	Handle	1	▲
3	2440070	Ruota ø 160	Driven gear	2	
4	2100300	Vite autof. 5x16	Screw	12	
5	2860030	Carter sinistro	Left casing	1	
6	1680190	Copriventola	Fan housing	1	
7	1261570	Vite autof. 3,9x9,5	Screw	3	
8	2860060	Staffa	Bracket	1	
9	2440270	Vite TC M 4x20	Screw	4	Autoformante
10	2860020	Carter destro	Right casing	1	

SIMBOLOGIA - SYMBOLS

● Cod. 12366 - HW 130 TSS RLW

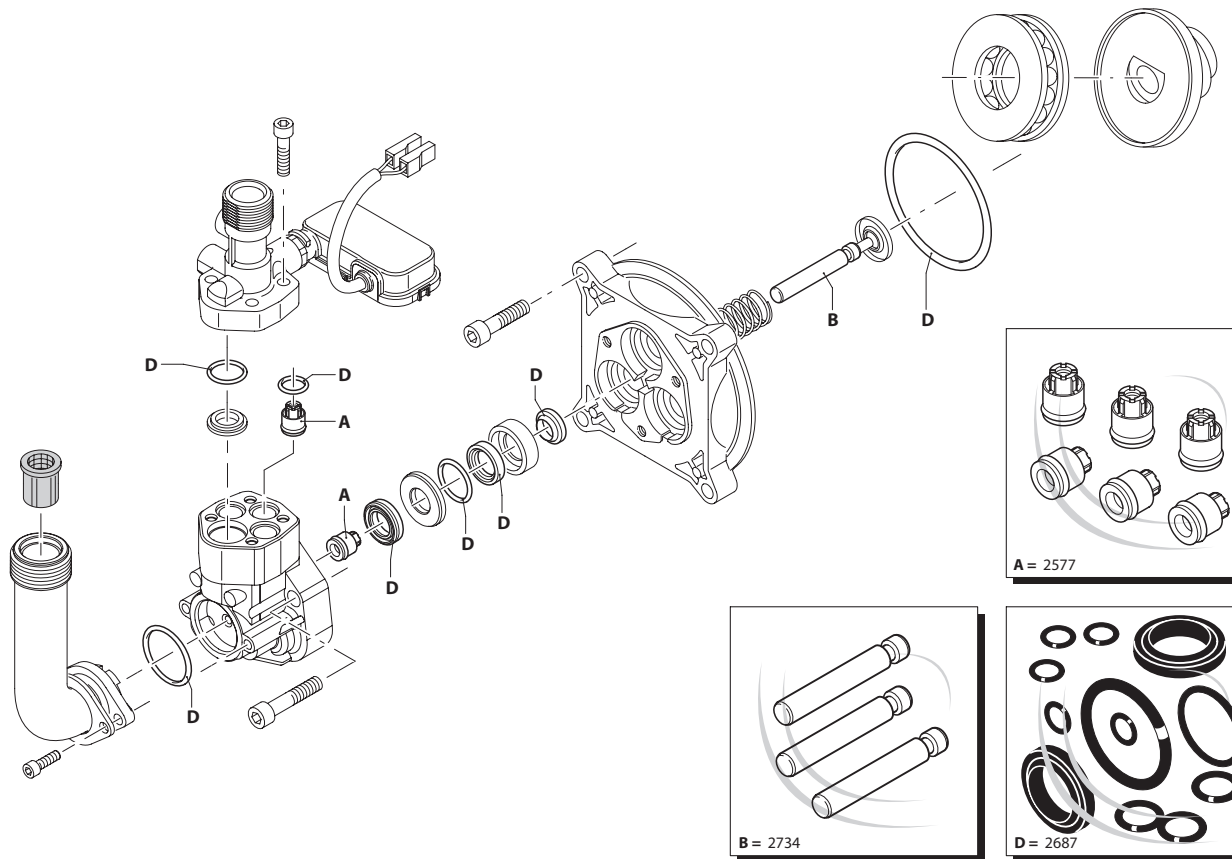
□ Cod. 12368 - HW 130 TSS

▲ Cod. 12370 - HW 130 TSS RLW



UN002421-MA

KIT RICAMBI / PART KITS



UN002422-MA

Pos.	Cod. Part n°	Denominazione	Description	Q.tà Q.ty	Note Vedi / See
1	1340260	Filtro aspirazione acqua	Water suction filter	1	
2	2101000	Vite TCEI M 4x15	Screw	2	Autoformante
3	2100630	Raccordo aspirazione	Suction fitting	1	
5	550350	OR Ø 23,81x2,62	O-Ring	1	
7	2109051	Valvola completa	Complete valve	6	
8	850850	Vite TCEI M 6x30	Screw	3	
9	2020120	Guida pistone Ø 12	Piston guide	1	
10	880840	OR Ø 9,25x1,78	O-Ring	3	
11	2123	Testa pompa + OR	Pump head + O-Ring	1	
13	1260760	Vite TCEI M 5x20	Screw	4	Autoformante
14	2250	Kit racc. mandata + TSS	Outlet fitting + TSS kit	1	
15	2200140	Guarnizione Ø 12x20	Gasket	6	
16	2020040	Anello appoggio guarn.	Gasket support ring	3	
17	2021740	OR Ø 21,5x2	O-Ring	3	
18	2560480	Boccola tenuta	Bushing	1	
19	2020030	Boccola Ø 12	Bushing	3	
20	1683500	Anello tenuta	Seal ring	3	
21	2200210	Vite TCEI M 6x25	Screw	4	Autoformante
22	2020150	Molla	Spring	3	
23	2020130	Pistone Ø 12	Piston	3	
24	2020140	Piattello portamolla	Spring plate	3	
25	2021570	Cuscinetto	Bearing	1	
28	1680680	OR Ø 95x2	O-Ring	1	
33	2223	Kit prem. pompa + TSS	Pump assembly + TSS kit	1	
34	394280	OR Ø 12,42x1,78	O-Ring	1	
37	2101450	Flangia fissaggio racc.	Inlet fitting plate	1	

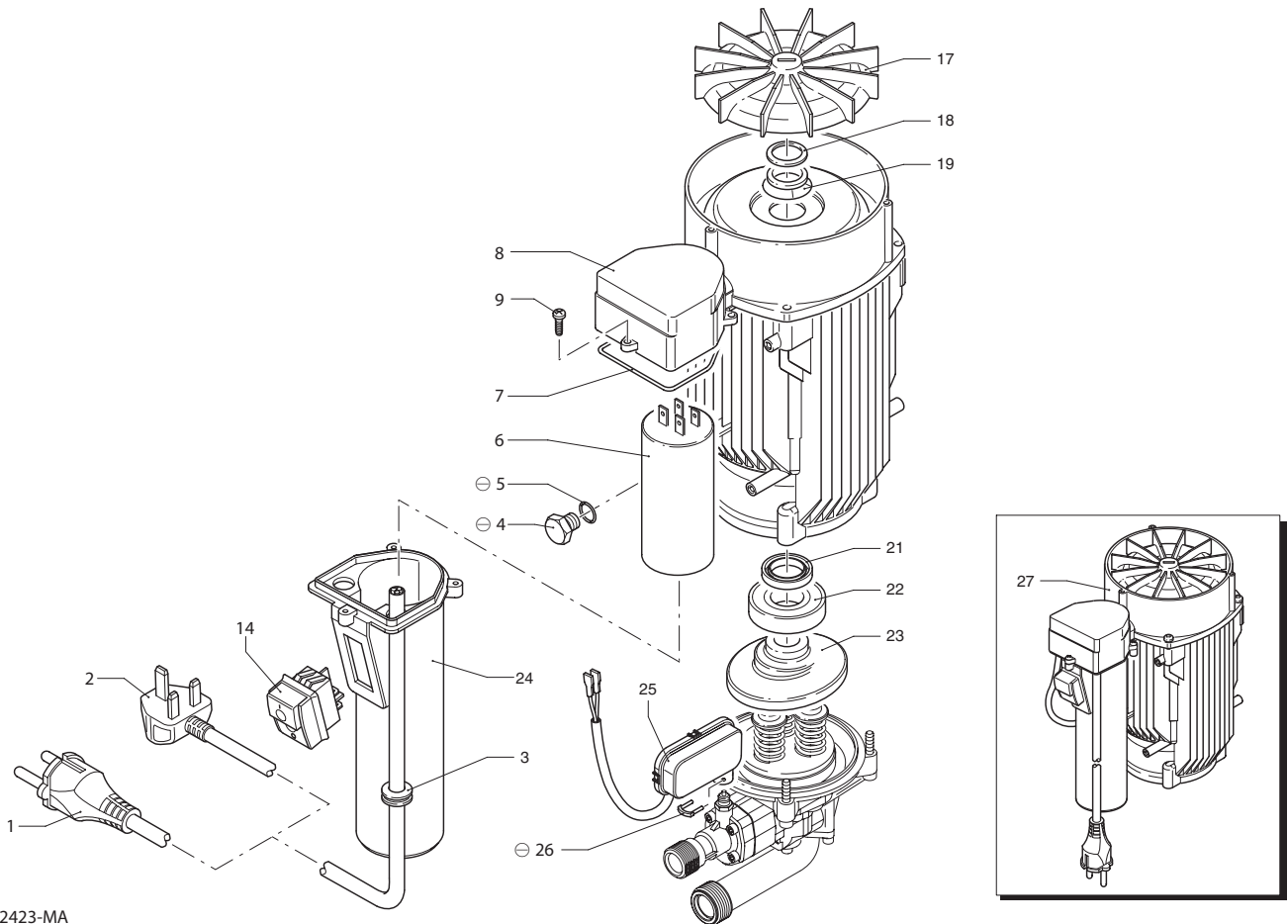
Pos.	Cod. Part n°	Denominazione	Description	Q.tà Q.ty	Note Vedi / See

KIT RICAMBI - PART KITS

A=KIT 2577 valvole valves		B=KIT 2734 pistoni pistons		D=KIT 2687 tenute gaskets			
Pos.	Q.ty	Pos.	Q.ty	Pos.	Q.ty	Pos.	Q.ty
7	6	23	3	5	1	34	1
				10	3		
				15	6		
				17	3		
				20	3		
				28	1		

Pos.	Q.ty	Pos.	Q.ty	Pos.	Q.ty	Pos.	Q.ty

SIMBOLOGIA - SYMBOLS



UN002423-MA

Pos.	Cod. Part n°	Denominazione	Description	Q.tà Q.ty	Note Vedi / See
1	1343400	Cavo	Cable	1	● ▲ ①
2	1682040	Cavo	Cable	1	□ ②
3	2021480	Passacavo	Gland	1	
4	1682420	Tappo olio	Oil dip stick	1	
5	2000240	OR ø 5,23x2,62	O-Ring	1	
6	1680670	Condensatore 30 µF	Capacitor 30 µF	1	
7	850840	OR ø 62x2	O-Ring	1	
8	1680035	Scudo motore	Motor shield	1	
9	1261551	Vite autof. 3,5x13	Screw	3	
14	2320280	Interruttore	Switch	1	
17	1680250	Ventola	Fan	1	
18	2020850	Rondella	Washer	1	
19	1340350	Anello tenuta	Seal ring	1	
21	840020	Anello tenuta	Seal ring	1	
22	1461430	Cuscinetto	Bearing	1	
23	1683000	Piattello oscillante	Wobble plate	1	
24	2440221	Scatola condensatore	Capacitor box	1	
25	2029721	Prem. TSS	TSS assembly	1	
26	2021960	Forcella	Clip	1	
27	4827	Motore elettrico	Electric motor	1	● □ ①
	44095	Motore elettrico	Electric motor	1	▲ ②

Pos.	Cod. Part n°	Denominazione	Description	Q.tà Q.ty	Note Vedi / See

SIMBOLOGIA - SYMBOLS

● Cod. 12366 - HW 130 TSS RLW

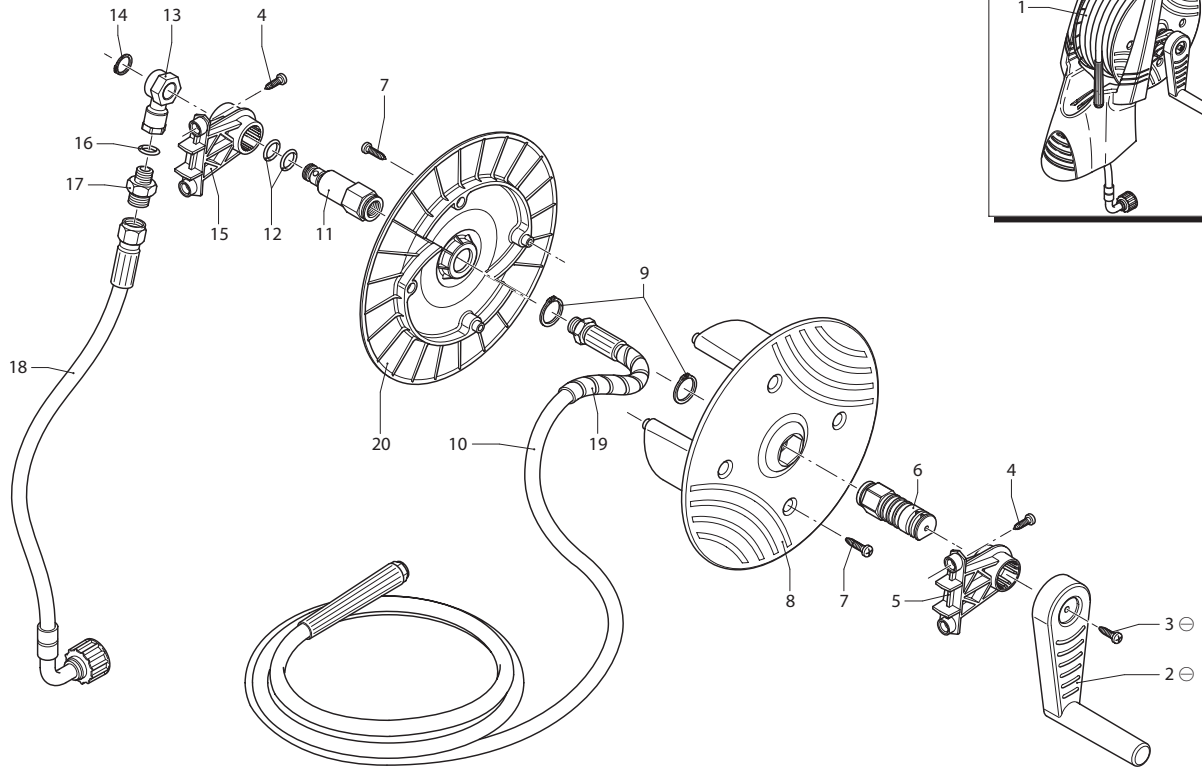
□ Cod. 12368 - HW 130 TSS

▲ Cod. 12370 - HW 130 TSS RLW

① 230 V/50Hz - Schuko

② 230 V/50Hz - UK

○ Non compreso nel premontaggio motore
No part of pre-assembly electric motor



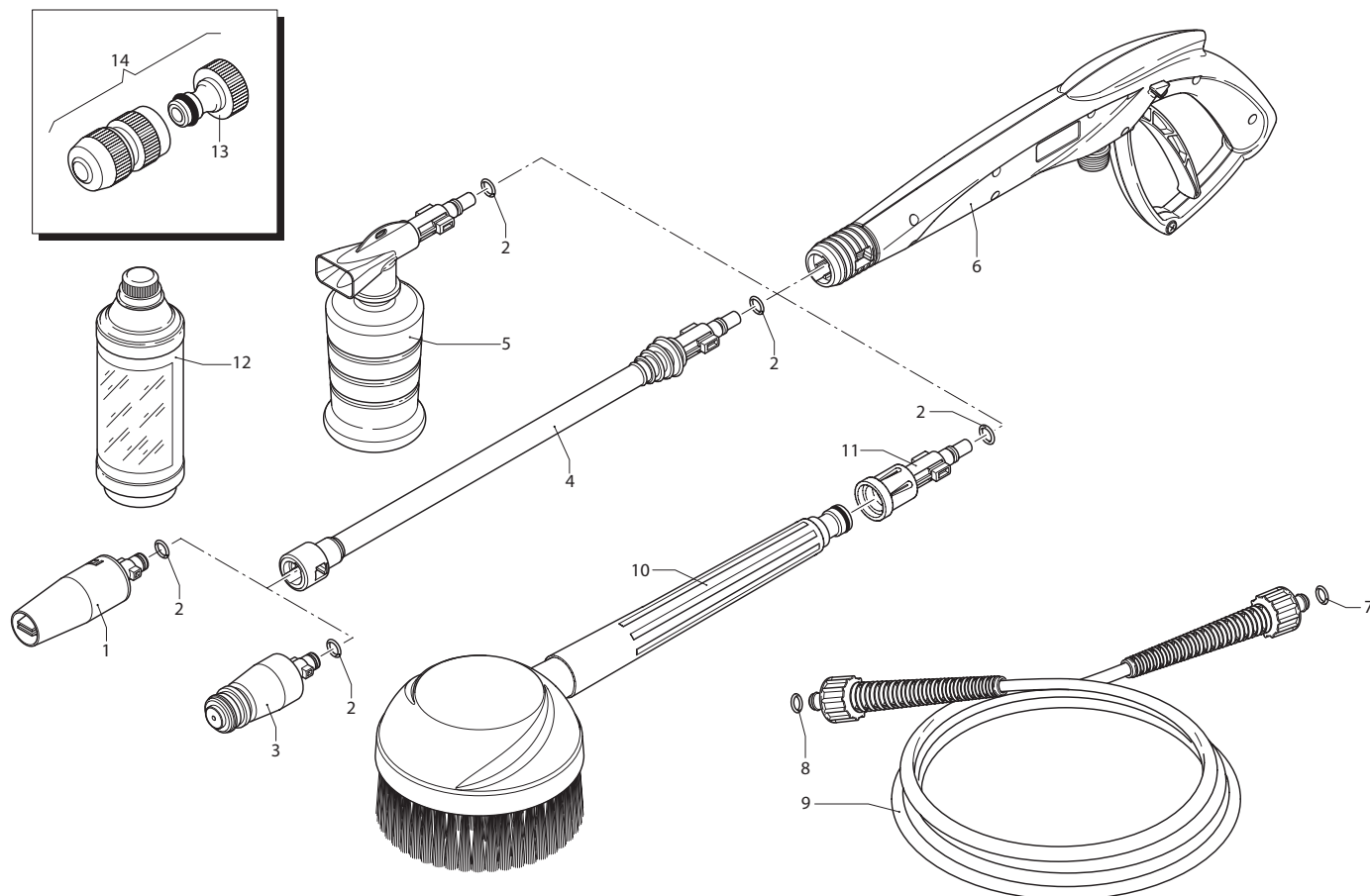
UN002424-MA

Pos.	Cod. Part n°	Denominazione	Description	Q.tà Q.ty	Note Vedi / See
1	40380	Prem. avvolgitubo	Hose reel assembly	1	
2	2100300	Vite autof. 5x16	Screw	1	
3	2360150	Leva avvolgitubo	Hose reel lever	1	
4	2100300	Vite autof. 5x16	Screw	4	
5	2440490	Staffa dx	Sx bracket	1	
6	2440500	Perno dx	Sx pin	1	
7	2560720	Vite autof. 5x20	Screw	4	
8	2360230	Avvolgitubo	Hose reel	1	
9	380420	Seeger øe 22	Circlip	2	
10	2620550	Tubo di mandata	High pressure hose	1	8 m
11	2440510	Perno sx	Dx pin	1	
12	391000	OR ø 9,13x2,62	O-Ring	2	
13	2440540	Raccordo	Fitting	1	
14	2360320	Seeger øe 14	Circlip	1	
15	2440480	Staffa sx	Dx bracket	1	
16	820510	OR ø 10,82x1,78	O-Ring	1	
17	2360310	Nipples 1/4"-3/4"G (M)	Threaded adapter	1	
18	2600170	Tubo	Hose	1	
19	2360510	Protezione	Protection	1	
20	2360460	Avvolgitubo	Hose reel	1	

Pos.	Cod. Part n°	Denominazione	Description	Q.tà Q.ty	Note Vedi / See

SIMBOLOGIA - SYMBOLS

⊖ Non compreso nel premontaggio motore
No part of pre-assembly electric motor



UN002425-MA

Pos.	Cod. Part n°	Denominazione	Description	Q.tà Q.ty	Note Vedi / See
1	40356	Testina	Head	1	
2	391000	OR ø 9,13x2,62	O-Ring	2	
3	40344	Rotopower	Rotopower	1	
4	40487	Lancia	Lance	1	
5	40352	Serbatoio detergente	Detergent tank	1	
6	40350	Pistola	Gun	1	
7	2000770	OR ø 10x2	O-Ring	1	☐
8	1080250	OR ø 7,67x1,78	O-Ring	1	☐
9	2620470	Tubo di mandata	High pressure hose	1	☐ 7,6 m
10	40322	Spazz. rotante snodata	Flexible rotating brush	1	● ▲
11	40327	Raccordo	Fitting	1	● ▲
12	40657	Detergente	Detergent	1	
13	1461470	Raccordo	Fitting	1	
14	3212	Innesto raccordo+guarn.	Attachment for tap+gasket	1	3/4" G(F)

Pos.	Cod. Part n°	Denominazione	Description	Q.tà Q.ty	Note Vedi / See

SIMBOLOGIA - SYMBOLS

- Cod. 12366 - HW 130 TSS RLW
- ☐ Cod. 12368 - HW 130 TSS
- ▲ Cod. 12370 - HW 130 TSS RLW

HW 130 Makita for **cod.12366 -12368 (Russia)** **Cod.12370 (UK)**

Part n Description Price

2123 Pump head + O-Ring
2223 Pump assembly + TSS kit
2250 Outlet fitting + TSS kit
3212 Attachment for tap+gasket
4827 Electric motor
40322 Flexible rotating brush
40327 Fitting
40344 Rotopower
40350 Gun
40352 Detergent tank
40356 Head
40380 Hose reel assembly
40487 Lance
40657 Detergent
44095 Electric motor
380420 Circlip
391000 O-Ring
394280 O-Ring
550350 O-Ring
820510 O-Ring
840020 Seal ring
850840 O-Ring
850850 Screw
880840 O-Ring
1080250 O-Ring
1260760 Screw
1261551 Screw
1261570 Screw
1340260 Water suction filter
1340350 Seal ring
1343400 Cable
1461430 Bearing
1461470 Fitting
1680035 Motor shield
1680190 Fan housing
1680250 Fan
1680670 Capacitor 30 µF
1680680 O-Ring
1682040 Cable
1682420 Oil dip stick
1683000 Wobble plate
1683500 Seal ring
2000240 O-Ring
2000770 O-Ring
2020030 Bushing
2020040 Gasket support ring
2020120 Piston guide
2020130 Piston
2020140 Spring plate
2020150 Spring
2020850 Washer
2021480 Gland
2021570 Bearing
2021740 O-Ring
2021960 Clip
2029721 TSS assembly
2100300 Screw
2100300 Screw
2100630 Suction fitting
2101000 Screw
2101450 Inlet fitting plate
2109051 Complete valve
2200140 Gasket
2200210 Screw
2320280 Switch

2360150 Hose reel lever
2360230 Hose reel
2360310 Threaded adapter
2360320 Circlip
2360460 Hose reel
2360510 Protection
2440070 Driven gear
2440221 Capacitor box
2440270 Screw
2440480 Dx bracket
2440490 Sx bracket
2440500 Sx pin
2440510 Dx pin
2440530 Handle
2440540 Fitting
2560480 Bushing
2560720 Screw
2600170 Hose
2620470 High pressure hose
2620550 High pressure hose
2860020 Right casing
2860030 Left casing
2860050 Handle
2860060 Bracket
2860070 Green casing