

# SPARE PARTS LIST

MODEL NO. EK7650H

ITEM	PART NO.	DESCRIPTION	QTY	NOTE
001	421875-8	GROMMET	1	
002	452800-8	HOSE JOINT 4-4	1	
003	422083-4	TUBE 3-190	1	
004	168396-6	BREATHER	1	
005	142150-6	TUBE COMPLETE	1	
		INC. 6-8		
006	422074-5	TUBE 3-120	1	
007	424101-4	GROMMET	1	
008	422119-9	TUBE 3-300	1	
009	168398-2	PRIMER PUMP	1	
010	324616-0	HOSE CLAMP	1	
011	163447-0	GASOLINE FILTER	1	
012	140831-6	TANK CAP COMPLETE	1	
		INC. 13-15		
013	452697-5	TANK CAP KNOB	1	
014	213080-9	O RING 29.5	1	
015	450957-9	STRAP	1	
016	266475-5	TAPPING SCREW TORX 5.5X20	1	
017	452736-1	GRIP COVER	1	
018	452722-2	LOCK OFF LEVER	1	
019	452721-4	THROTTLE LEVER	1	
020	233590-0	TORSION SPRING 12	1	
021	452723-0	SWITCH LEVER	1	
022	256520-4	ROD 5	1	
023	452742-6	REAR INNER HOLDER	1	
024	266475-5	TAPPING SCREW TORX 5.5X20	1	
025	424408-8	TANK GUARD	1	
026	140774-2	TANK COMPLETE	1	
027	424583-0	PLUG	1	
028	452742-6	REAR INNER HOLDER	1	
029	266475-5	TAPPING SCREW TORX 5.5X20	1	
030	424404-6	REAR FOOT	1	
031	869677-8	EK7650H NAME PLATE	1	
033	452737-9	CLAMP	1	
034	424410-1	RUBBER CAP	1	
035	266687-0	TAPPING SCREW 5.5X45	1	
036	424410-1	RUBBER CAP	1	
037	266687-0	TAPPING SCREW 5.5X45	2	
038	266659-5	H.L. SOCKET HEAD BOLT M6X30	1	
039	331940-4	FRONT HANDLE	1	
040	452741-8	CENTER OUTER HOLDER	1	
041	234214-1	COMPRESSION SPRING 16	1	
042	266475-5	TAPPING SCREW TORX 5.5X20	3	
043	346433-8	BOTTOM PLATE	1	
044	234213-3	COMPRESSION SPRING 13	1	
045	266659-5	H.L. SOCKET HEAD BOLT M6X30	1	
046	452740-0	FRONT INNER HOLDER	1	
047	318727-1	ROLLER 45	2	
048	257972-2	SLEEVE 6.5	2	
049	266660-0	H.L. SOCKET HEAD BOLT M6X35	2	
050	424405-4	FRONT FOOT	2	
051	266652-9	H.L. SOCKET HEAD BOLT M5X16	4	
052	318712-4	GUARD	1	
053	140903-7	TOP COVER COMPLETE	1	
		INC. 54		
054	266692-7	THUMB SCREW M6X15	1	
056	141040-0	FILTER COVER COMPLETE	1	
		INC. 57,58		
057	424409-6	PLUG COVER	1	
058	424417-7	PACKING	1	
061	266656-1	H.L. SOCKET HEAD BOLT M5X40	4	

# SPARE PARTS LIST

MODEL NO. EK7650H

ITEM	PART NO.	DESCRIPTION	QTY	NOTE
062	442165-6	AIR FILTER	1	
063	424399-3	INNER FILTER	1	
064	266127-8	+ TAPPING SCREW PT 3X20	2	
065	452739-5	SEPARATER COVER	1	
066	213459-4	O RING 32	1	
067	352012-2	SEPARATOR MESH	1	
068	266657-9	H.L. SOCKET HEAD BOLT M5X45	2	
069	452720-6	FILTER BRACKET	1	
070	442166-4	CARBURETOR GASKET	1	
071	326040-3	THROTTLE LINKAGE	1	
072	424407-0	RUBBER JOINT	1	
073	168653-2	CARBURETOR WT	1	
074	326041-1	CHOKE LINKAGE	1	
075	422077-9	TUBE 3-190	1	
076	422080-0	TUBE 3-35	1	
077	452952-5	HOSE JOINT	1	
078	422079-5	TUBE 3-45	1	
079	424418-5	SEAL	1	
080	422082-6	TUBE 3-130	1	
081	422081-8	TUBE 3-75	1	
082	452951-7	HOSE JOINT 4-4	1	
083	452799-7	HOSE JOINT 4-6	1	
084	452799-7	HOSE JOINT 4-6	1	
085	346397-6	GUIDE RING	1	
086	452724-8	CARBURETOR MOUNT	1	
087	424397-7	SUCTION LINE	1	
088	346495-6	HOSE CLAMP 30	1	
089	266654-5	H.L. SOCKET HEAD BOLT M5X25	2	
090	140898-4	ROCKER COVER COMPLETE INC. 91-93	1	
091	422073-7	TUBE 3-8	1	
092	318708-5	ROCKER COVER	1	
093	452726-4	OIL LINE	1	
094	345918-1	HOSE CLAMP	1	
095	422078-7	TUBE 5-70	1	
096	345918-1	HOSE CLAMP	1	
097	422076-1	TUBE 3-170	1	
098	126006-1	IGNITION COIL ASSEMBLY INC. 99-101	1	
099	424105-6	PLUG CAP	1	
100	125920-8	IGNITION COIL	1	
101	326148-3	PLUG CAP SPRING	1	
102	168652-4	SPARK PLUG	1	
103	125946-0	CYLINDER HEAD ASSEMBLY INC. 104-106	1	
104	140928-1	CYLINDER HEAD COMPLETE	1	
105	331969-0	VALVE GUIDE	2	
106	424424-0	VALVE STEM SEAL	1	
107	266660-0	H.L. SOCKET HEAD BOLT M6X35	5	
108	234212-5	COMPRESSION SPRING 11	2	
109	331966-6	RETAINER	2	
110	346400-3	ROCKER COVER GASKET	1	
111	331937-3	EXHAUST PORT SPACER	1	
112	268310-3	PIN 5	1	
113	346399-2	MUFFLER GASKET	1	
114	168638-8	EXHAUST MUFFLER	1	
115	266693-5	H.L. SOCKET HEAD BOLT M6X18	3	
116	126005-3	ROCKER ARM ASSEMBLY	2	
117	256526-2	PUSH ROD	2	
118	442167-2	CYLINDER HEAD GASKET	1	
119	331965-8	EXHAUST VALVE	1	

# SPARE PARTS LIST

MODEL NO. EK7650H

ITEM	PART NO.	DESCRIPTION	QTY	NOTE
120	331964-0	INTAKE VALVE	1	
121	266659-5	H.L. SOCKET HEAD BOLT M6X30	1	
122	318729-7	CENTER INNER HOLDER	1	
123	140901-1	CYLINDER BLOCK COMPLETE	1	
124	638776-5	LEAD UNIT	1	
125	266652-9	H.L. SOCKET HEAD BOLT M5X16	2	
126	256200-2	PIN 5	1	
127	123299-1	CAM GEAR ASSEMBLY INC. 128-131	1	
128	140817-0	CAM GEAR COMPLETE	1	
129	233623-1	TORSION SPRING 9	1	
130	346434-6	CAM GEAR PLATE	1	
131	318707-7	FLY WEIGHT	1	
132	256186-0	PIN 5	1	
133	313209-8	CAM LIFTER L	1	
134	313210-3	CAM LIFTER R	1	
135	442168-0	CAM GEAR GASKET	1	
136	318725-5	CAM GEAR COVER	1	
137	266652-9	H.L. SOCKET HEAD BOLT M5X16	4	
138	213599-8	OIL SEAL 17	1	
139	254001-2	WOODRUFF KEY 4	1	
140	140900-3	CRANKSHAFT COMPLETE	1	
141	233995-4	RING SPRING 12	2	
142	326039-8	PISTON PIN	1	
143	318726-3	PISTON	1	
144	257332-8	SECOND RING	1	
145	257333-6	OIL RING	1	
146	257331-0	TOP RING	1	
147	266659-5	H.L. SOCKET HEAD BOLT M6X30	1	
148	638777-3	LEAD UNIT	1	
149	232268-2	CONTACT SPRING	1	
150	318730-2	REAR OUTER HOLDER	1	
151	234214-1	COMPRESSION SPRING 16	1	
152	266659-5	H.L. SOCKET HEAD BOLT M6X30	8	
153	424201-0	CHECK VALVE	2	
154	424406-2	GROMMET	1	
156	266652-9	H.L. SOCKET HEAD BOLT M5X16	3	
157	452738-7	OIL CASE GASKET	1	
158	345918-1	HOSE CLAMP	1	
159	422084-2	TUBE 5-55	1	
160	346398-4	LEAD VALVE	1	
161	318709-3	RETAINER PLATE	1	
162	266652-9	H.L. SOCKET HEAD BOLT M5X16	1	
163	345918-1	HOSE CLAMP	1	
164	168655-8	OIL TUBE COMPLETE INC. 165,166	1	
165	326177-6	OIL WEIGHT	1	
166	424384-6	OIL TUBE	1	
167	318710-8	OIL CASE	1	
168	346452-4	GASKET	1	
169	921412-3	HEX. BOLT M8X12	1	
170	266652-9	H.L. SOCKET HEAD BOLT M5X16	4	
171	213548-5	O-RING 20	1	
172	266862-8	H.L.S.H. BOLT M5X16 WITH WR	2	
173	452614-5	OIL PIPE	1	
174	140899-2	OIL CAP COMPLETE INC. 175	1	
175	424421-6	OIL CAP GASKET	1	
176	318704-3	FLYWHEEL	1	
177	264054-3	FLANGE NUT M10	1	
178	452617-9	CYLINDER COVER	1	

# SPARE PARTS LIST

MODEL NO. EK7650H

ITEM	PART NO.	DESCRIPTION	QTY	NOTE
179	266652-9	H.L. SOCKET HEAD BOLT M5X16	1	
180	452616-1	FAN COVER	1	
181	266655-3	H.L. SOCKET HEAD BOLT M5X30	4	
182	266659-5	H.L. SOCKET HEAD BOLT M6X30	1	
183	318728-9	FRONT OUTER HOLDER	1	
184	267448-1	FLAT WASHER 41	1	
185	213598-0	OIL SEAL(L)	1	
186	319234-7	CUTTING ARM	1	
187	234214-1	COMPRESSION SPRING 16	1	
188	318730-2	REAR OUTER HOLDER	1	
189	266659-5	H.L. SOCKET HEAD BOLT M6X30	1	
190	266658-7	H.L. SOCKET HEAD BOLT M6X25	5	
191	225094-6	V BELT 5-800	1	
192	331970-5	SPACER17	1	
193	125945-2	CLUTCH DRUM ASSEMBLY INC. 194-196	1	
194	165636-3	CLUTCH DRUM	1	
195	962163-9	RETAINING RING R-35	1	
196	210138-5	BALL BEARING 6003LLU	1	
197	331970-5	SPACER17	1	
198	168834-8	CLUTCH COMPLETE INC. 199-201	1	
199	231884-7	TENSION SPRING 6	3	
200	313207-2	CLUTCH SHOE	3	
201	313208-0	CLUTCH HOLDER	1	
202	893120-5	EK7650H MODEL NO.LABEL	1	
203	266792-3	-H.L. SOCKET HEAD BOLT M5X18	3	
204	125919-3	STARTER ASSEMBLY INC. 205-212	1	
205	424501-8	STARTER KNOB	1	
206	332046-1	ROPE GUIDE	1	
207	452613-7	STARTER CASE	1	
208	232262-4	SPIRAL SPRING	1	
209	444040-2	STARTER ROPE	1	
210	424500-0	ROPE STOPPER	1	
211	453466-7	REEL	1	
212	266634-1	SET SCREW M6X20	1	
213	452930-5	HOLDER	1	
214	266653-7	H.L. SOCKET HEAD BOLT M5X20	3	
215	455559-6	CLUTCH COVER	1	
216	264080-2	HEX. LOCK NUT M10-17	1	
218	266784-2	H.L. SOCKET HEAD BOLT M5X12	3	
219	140816-2	RATCHET COMPLETE	1	
224	266690-1	HEX. BOLT M8X25	1	
225	224443-4	FLANGE 102	1	
226	257312-4	RING17	1	
227	224443-4	FLANGE 102	1	
228	318746-7	PRESSURE RING	1	
229	442169-8	SLIDING DISC	1	
230	424426-6	RUBBER RING(INNER)	1	
231	266689-6	H.L.COLLRAR BOLT M6	3	
232	234216-7	COMPRESSION SPRING 8	3	
233	318722-1	CUTTING DEVICE	1	
234	213625-3	O-RING 9	1	
235	326038-0	LOCK SHAFT	1	
236	266688-8	HEX. BOLT M8	2	
237	442169-8	SLIDING DISC	1	
238	346455-8	IMPACT PLATE	1	
239	424427-4	RUBBER RING(OUTER)	1	
240	266725-8	-H.L.SOCKET HEAD BOLT M5X16	2	
241	452938-9	GRIP	1	

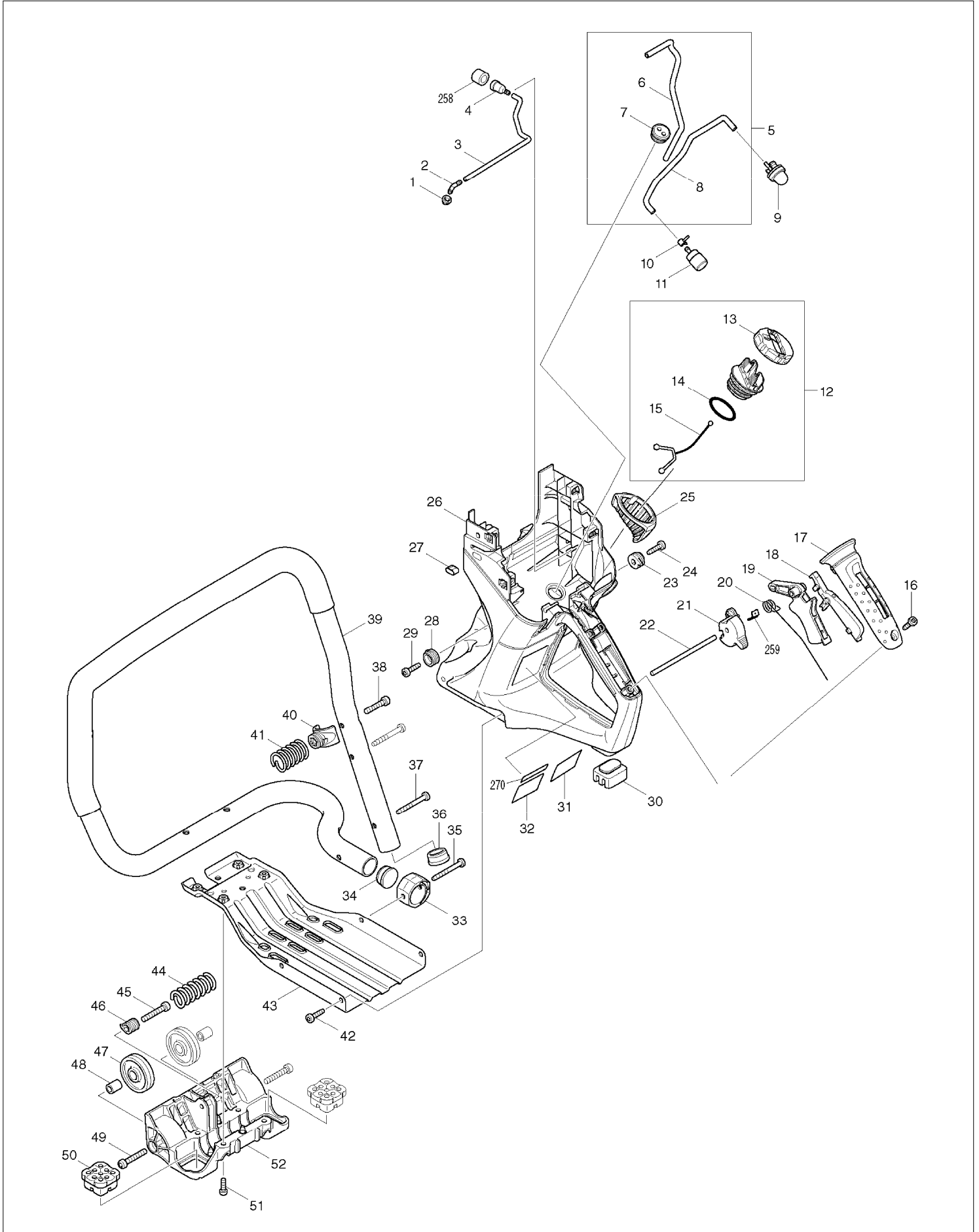
# SPARE PARTS LIST

MODEL NO. EK7650H

ITEM	PART NO.	DESCRIPTION	QTY	NOTE
242	140925-7	HOOD COMPLETE	1	
244	213162-7	O RING 14	1	
245	257971-4	RING 17	1	
246	211281-3	BALL BEARING 6203LLU	1	
247	962157-4	RETAINING RING R-40	1	
248	326062-3	SPINDLE	1	
249	211281-3	BALL BEARING 6203LLU	1	
250	222174-9	V PULLEY 5-95.8	1	
251	266690-1	HEX. BOLT M8X25	1	
252	455936-2	BELT COVER	1	
253	266691-9	TENSIONING SCREW M6	1	
254	234215-9	COMPRESSION SPRING 6	1	
255	252157-5	SQUARE NUT M6	1	
256	346457-4	PLATE	1	
257	264055-1	COLLARED HEX. NUT M8	2	
258	424023-8	SPONGE SLEEVE 9	1	
259	346554-6	PLATE	1	
260	424316-3	CHECK VALVE	1	
261	166106-5	DUST BAG	1	
262	424499-9	RUBBER SLEEVE 22	1	
263	800E23-6	CAUTION LABEL	1	
264	346611-0	STARTER COVER GASKET	1	
265	331967-4	COTTER	4	
266	346589-7	MUFFLER GUARD	1	
267	266782-6	H.L.S. HEAD BOLT M5X16 WITH WG	2	
268	325665-0	JOINT PIPE	4	
269	331897-9	BALL	2	
270	897179-4	SERIAL NO. LABEL	1	
A01	195488-8	TOOL KIT	1	
A02	195532-1	OIL BOTTLE SET	1	
A03	195534-7	WATER SET	1	
A04	195945-6	PRE FILTER SET	1	
A05	195794-1	RING SET	1	
E01	898428-2	CAUTION PLATE	1	
E02	898746-8	CAUTION TAG	1	
E03	898855-3	CAUTION TAG	1	

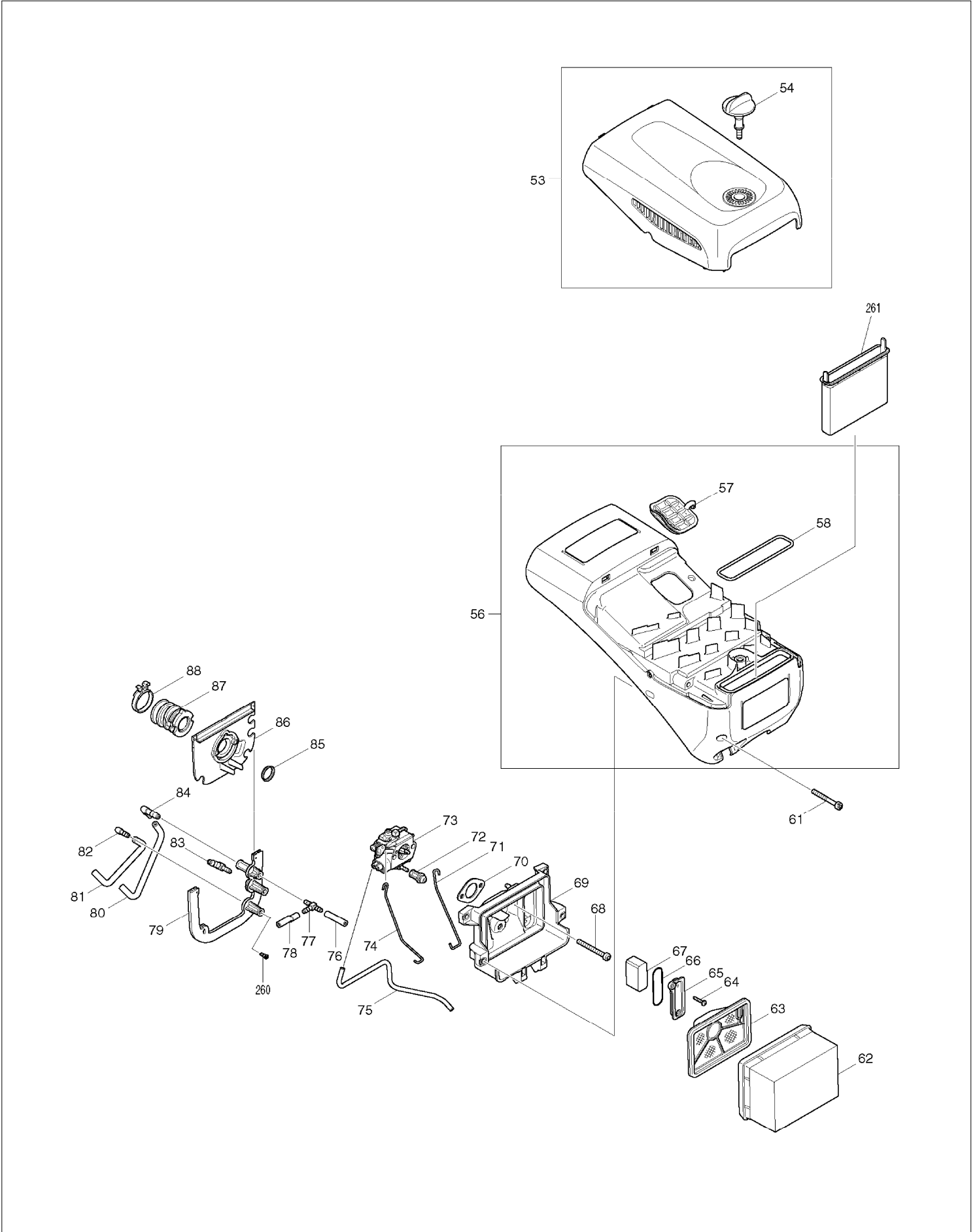
# SERVICE DRAWING

MODEL NO. EK7650H



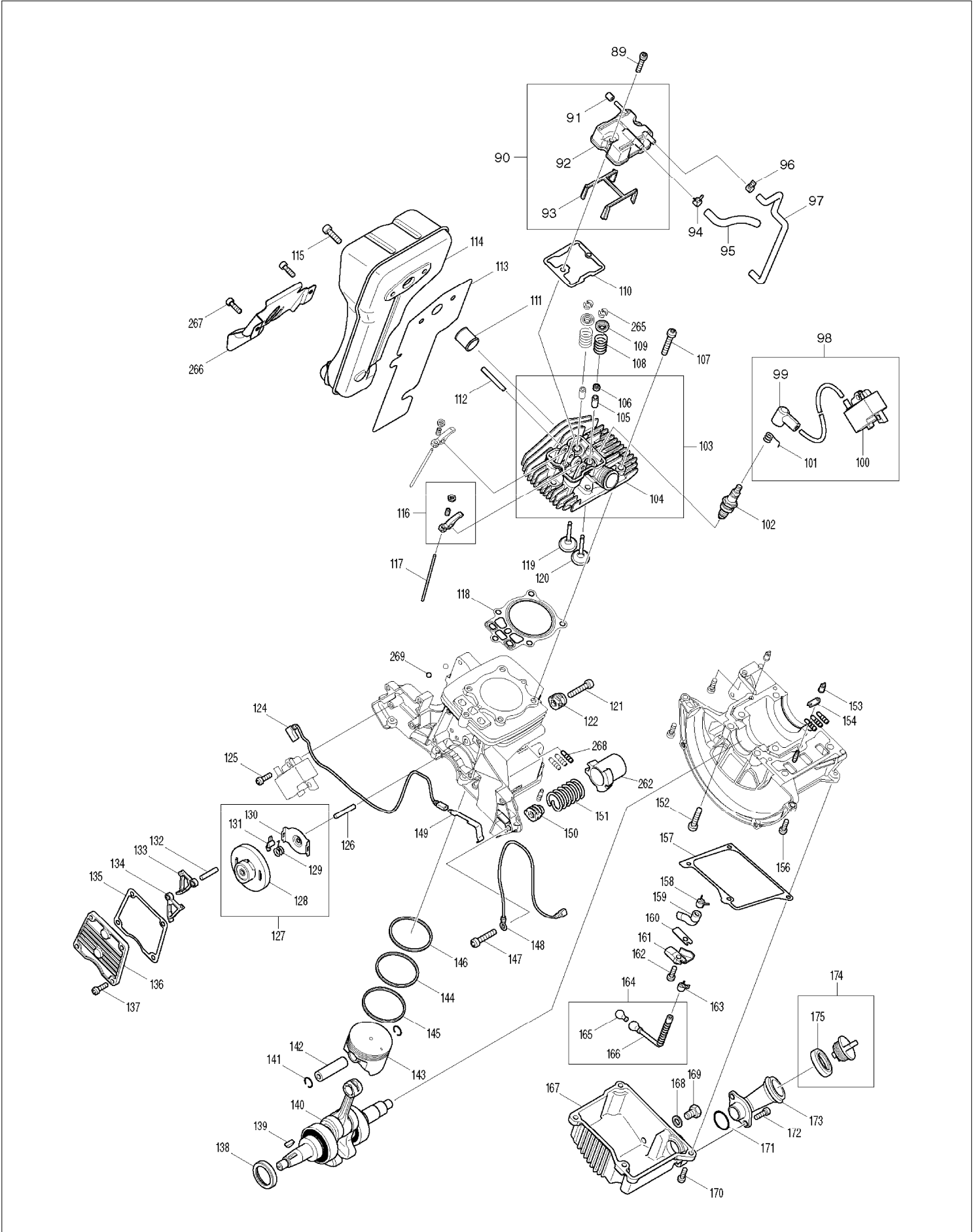
# SERVICE DRAWING

MODEL NO. EK7650H



# SERVICE DRAWING

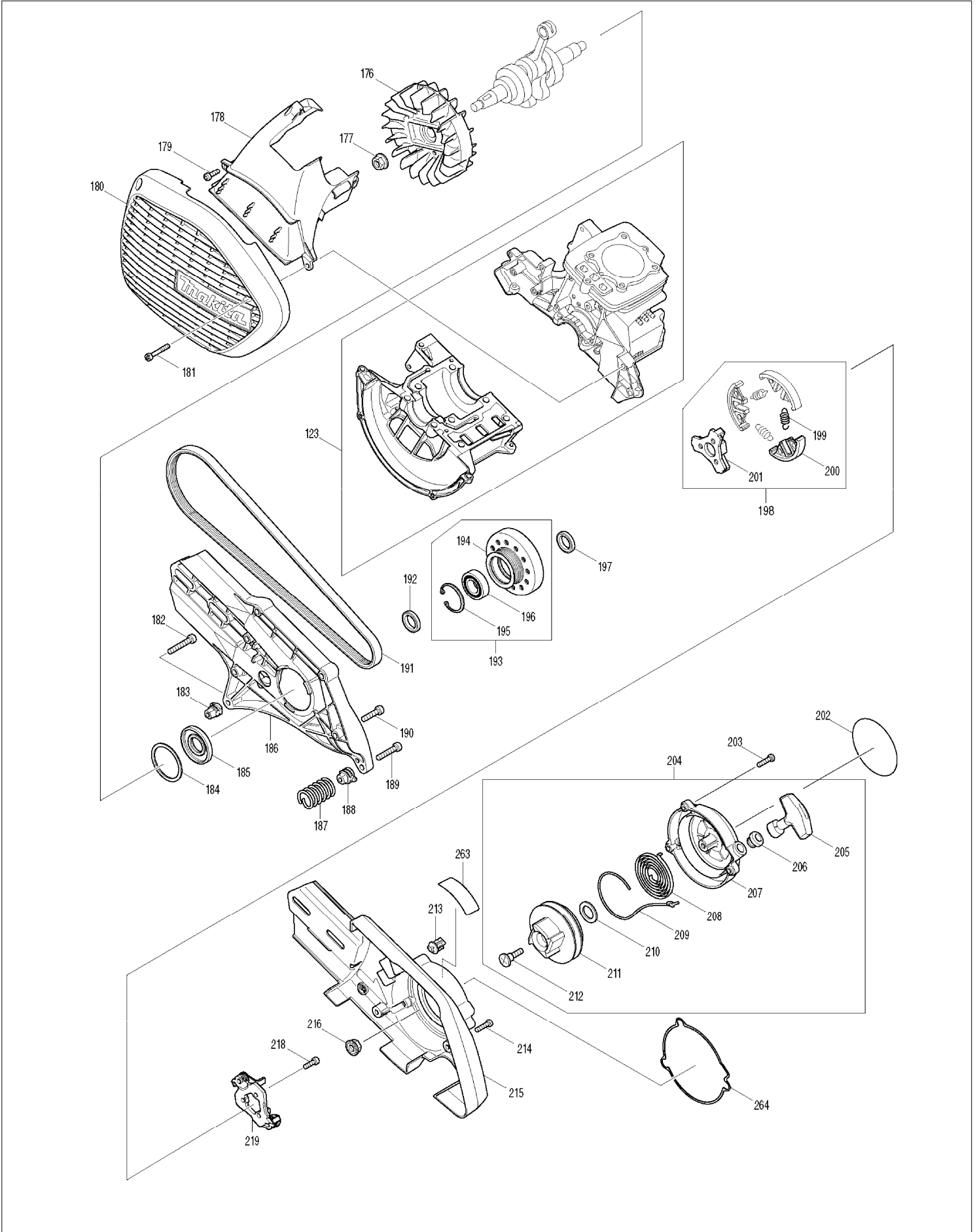
MODEL NO. EK7650H





# SERVICE DRAWING

MODEL NO. EK7650H



# SERVICE DRAWING

MODEL NO. EK7650H

