

SPARE PARTS LIST

MODEL NO. EG2850A

| ITEM | PART NO. | DESCRIPTION | QTY | NOTE |
|------|------------|---------------------------------|-----|------|
| 001 | YA00000065 | COVER SUBASSEMBLY, CYLINDER | 1 | |
| 002 | YA00000042 | GASKET, CYLINDER HEAD COVER | 1 | |
| 003 | YA00000158 | BOLT | 4 | |
| 004 | YA00000128 | TUBE, BREATHER | 1 | |
| 005 | YA00000064 | HEAD SUBASSEMBLY, CYLINDER | 1 | |
| 006 | YA00000168 | STUD | 2 | |
| 007 | YA00000167 | STUD | 2 | |
| 008 | YA00000147 | PLUG, SPARK | 1 | |
| 009 | YA00000040 | BOLT, CYLINDER HEAD | 4 | |
| 010 | YA00000098 | NUT, VALVE LOCK | 2 | |
| 011 | YA00000100 | NUT, VALVE ADJUSTING | 2 | |
| 012 | YA00000096 | ROCKER, VALVE | 2 | |
| 013 | YA00000099 | BOLT, ROCKER SHAFT | 2 | |
| 014 | YA00000092 | PLATE SUBASSEMBLY, LIFTER | 1 | |
| 015 | YA00000050 | ROTATOR, VALVE | 4 | |
| 016 | YA00000057 | SEAT, VALVE SPRING | 2 | |
| 017 | YA00000048 | SPRING, VALVE | 2 | |
| 018 | YA00000046 | GUIDE, SEAL | 1 | |
| 019 | YA00000059 | VALVE, EXHAUST | 1 | |
| 020 | YA00000055 | VALVE, INTAKE | 1 | |
| 021 | YA00000089 | LIFTER, VALVE | 2 | |
| 022 | YA00000090 | TAPPET, VALVE | 2 | |
| 023 | YA00000062 | GASKET, CYLINDER HEAD | 1 | |
| 024 | YA00000180 | PIN | 2 | |
| 028 | YA00000075 | RING, THE FIRST | 1 | |
| 029 | YA00000077 | RING, THE SECOND | 1 | |
| 030 | YA00000079 | RING SET, OIL | 1 | |
| 031 | YA00000069 | PISTON | 1 | |
| 032 | YA00000071 | PIN, PISTON | 1 | |
| 033 | YA00000073 | CLIP, PISTON PIN | 2 | |
| 034 | YA00000068 | ROD, CONNECTING | 1 | |
| 038 | YA00000037 | CRANKCASE SUBASSEMBLY. | 1 | |
| 039 | YA00000039 | COVER, CRANKCASE | 1 | |
| 040 | YA00000186 | SEAL, OIL | 1 | |
| 041 | YA00000164 | BOLT | 6 | |
| 042 | YA00000183 | BEARIN, DEEP GROOVE BALL | 2 | |
| 043 | YA00000101 | DIPSTICK SUBASSEMBLY, OIL | 1 | |
| 044 | YA00000033 | GASKET, CRANKCASE | 1 | |
| 045 | YA00000179 | PIN | 2 | |
| 046 | YA00000095 | CAMSHAFT ASSY. | 1 | |
| 047 | YA00000082 | CRANKSHAFT ASSY. | 1 | |
| 048 | YA00000120 | GEAR ASSY, GOVERNOR | 1 | |
| 049 | YA00000110 | ARM, GOVERNOR | 1 | |
| 050 | YA00000174 | WASHER, FLAT | 1 | |
| 051 | YA00000177 | PIN | 1 | |
| 053 | YA00000183 | BEARIN, DEEP GROOVE BALL | 1 | |
| 054 | YA00000034 | BOLT, DRAIN PLUG | 2 | |
| 055 | YA00000173 | WASHER, FLAT | 2 | |
| 056 | YA00000186 | SEAL, OIL | 1 | |
| 060 | YA00000153 | SENSOR, ENGINE OIL | 1 | |
| 061 | YA00000578 | NUT | 1 | |
| 062 | YA00000159 | BOLT | 2 | |
| 063 | YA00000122 | CONTROL ASSY, THROTTLE | 1 | |
| 064 | YA00000158 | BOLT | 2 | |
| 065 | YA00000114 | SPRING, GOVERNOR | 1 | |
| 066 | YA00000112 | ROD, GOVERNEOR | 1 | |
| 067 | YA00000108 | SPRING, THROTTLE VALVE RETURNIN | 1 | |
| 068 | YA00000116 | SUPPORT SUBASSEMBLY, GOVERNOR | 1 | |
| 069 | YA00000117 | BOLT, GOVERNOR SUPPORT | 1 | |
| 070 | YA00000171 | NUT | 1 | |
| 071 | YA00000150 | COIL, IGNITION | 1 | |

SPARE PARTS LIST

MODEL NO. EG2850A

| ITEM | PART NO. | DESCRIPTION | QTY | NOTE |
|------|------------|------------------------------|-----|------|
| 072 | YA00000161 | BOLT | 2 | |
| 073 | YA00000087 | FLYWHEEL SUBASSEMBLY | 1 | |
| 074 | YA00000137 | IMPELLER | 1 | |
| 075 | YA00000139 | PULLEY,STARTER | 1 | |
| 076 | YA00000084 | NUT, FLYWHEEL | 1 | |
| 077 | YA00000142 | SHROUD | 1 | |
| 078 | YA00000157 | BOLT | 6 | |
| 079 | YA00000135 | SHIELD,LOWER | 1 | |
| 080 | YA00000160 | BOLT | 1 | |
| 081 | YA00000133 | SHROUD, CYLINDER BODY | 1 | |
| 083 | YA00000144 | STARTER ASSY, RECOIL | 1 | |
| 084 | YA00000157 | BOLT | 4 | |
| 085 | YA00000580 | STOPPER, MOTOR RIGHT COVER | 1 | |
| 086 | YA00000576 | BOLT | 1 | |
| 087 | YA00000170 | NUT | 2 | |
| 092 | YA00000119 | CARBURETOR ASSY. | 1 | |
| 093 | YA00000103 | GASKET, CARBURETOR | 1 | |
| 094 | YA00000106 | PLATE, CARBURETOR INSULATOR | 1 | |
| 095 | YA00000105 | GASKET, CARBURETOR INSULATOR | 1 | |
| 096 | YA00000124 | GASKET, AIR CLEANER | 1 | |
| 097 | YA00000188 | TUBE, FUEL | 1 | |
| 098 | YA00000191 | COLLAR | 2 | |
| 099 | YA00000130 | CLEANER, AIR | 1 | |
| 101 | YA00000171 | NUT | 2 | |
| 105 | YA00000368 | 210 CC ENGINE | 1 | |
| 106 | YA00000428 | MUFFLER GASKET | 1 | |
| 107 | YA00000371 | 3 KW MUFFLER | 1 | |
| 108 | YA00000424 | SPRING WASHER | 2 | |
| 109 | YA00000386 | HEXAGON NUT M3 | 2 | |
| 110 | YA00000274 | SCREEN | 1 | |
| 111 | YA00000255 | PIPE CL | 1 | |
| 112 | YA00000256 | MUFFLER BRACKET | 1 | |
| 113 | YA00000411 | BOLT | 1 | |
| 114 | YA00000410 | BOLT 8*20 | 2 | |
| 118 | YA00000613 | MOTOR ASSEMBLY | 1 | |
| 119 | YA00000420 | WASHER | 1 | |
| 120 | YA00000424 | SPRING WASHER | 3 | |
| 121 | YA00000245 | FLANGE BOLTS | 1 | |
| 122 | YA00000281 | 2.8 KW STATOR COMPONENTS | 1 | |
| 123 | YA00000206 | END COVER | 1 | |
| 124 | YA00000418 | WASHER | 4 | |
| 125 | YA00000423 | SPRING WASHER | 4 | |
| 126 | YA00000244 | HEXAGON HEAD BOLTS | 4 | |
| 127 | YA00000379 | AVR REGULATOR | 1 | |
| 128 | YA00000407 | BOLT 5*12 | 2 | |
| 129 | YA00000403 | BOLT 5*12 | 1 | |
| 130 | YA00000285 | CARBON BRUSH | 1 | |
| 131 | YA00000407 | BOLT 5*12 | 3 | |
| 132 | YA00000356 | SOCKET COMPONENTS | 1 | |
| 133 | YA00000271 | SCREEN | 1 | |
| 134 | YA00000236 | THE MOTOR HOUSING | 1 | |
| 135 | YA00000407 | BOLT 5*12 | 2 | |
| 140 | YA00000400 | MACHINE SCREW | 4 | |
| 141 | YA00000354 | SMALL PANEL COMPONENTS | 1 | |
| 142 | YA00000392 | TYPE 1 NON-METALLIC HEX NUTS | 2 | |
| 143 | YA00000349 | FUEL TANK CAP ASSEMBLY | 1 | |
| 144 | YA00000375 | FUEL FILTER | 1 | |
| 145 | YA00000221 | TANK | 1 | |
| 146 | YA00000415 | HEX FLANG BOLT 6*25 | 4 | |
| 147 | YA00000241 | BIG TANK GASKET | 4 | |
| 148 | YA00000214 | TANK CUSHION CASING | 4 | |

SPARE PARTS LIST

MODEL NO. EG2850A

| ITEM | PART NO. | DESCRIPTION | QTY | NOTE |
|------|------------|--------------------------------|-----|------|
| 149 | YA00000267 | TANK CUSHION | 4 | |
| 150 | YA00000211 | FUEL TANK SWITCH | 1 | |
| 151 | YA00000398 | SUNK SCREW 5*14 | 2 | |
| 152 | YA00000348 | THE FUEL INDICATOR COMPONENTS | 1 | |
| 153 | YA00000352 | 2.6 KW RACK COMPONENTS | 1 | |
| 154 | YA00000357 | 2.6 KW PANEL COMPONENT | 1 | |
| 155 | YA00000412 | BOLT | 4 | |
| 156 | YA00000387 | FLANGE LOCK NUT M6 | 4 | |
| 157 | YA00000268 | 168 CUSHIONS | 4 | |
| 158 | YA00000388 | FLANGE LOCK NUT M8 | 8 | |
| 159 | YA00000412 | BOLT | 4 | |
| 160 | YA00000219 | FOOT RUBBER SEAT | 4 | |
| 161 | YA00000223 | SIDE GUARD PLATE | 1 | |
| 162 | YA00000412 | BOLT | 7 | |
| 163 | YA00000574 | CHECK WASHER | 6 | |
| 164 | YA00000224 | BEFORE THE PROTECTIVE PLATE | 1 | |
| 165 | YA00000195 | A SMALL CABLE TIE | 5 | |
| 166 | YA00000196 | COTTON VARNISHED SLEEVE 0.4M | 2 | |
| 170 | YA00000208 | INDICATING LAMP SHADE | 2 | |
| 171 | YA00000210 | INDICATOR CAP | 2 | |
| 172 | YA00000238 | BEFORE THE SMALL MASK | 1 | |
| 173 | YA00000376 | VOLTMETER | 1 | |
| 174 | YA00000347 | ELECTRONIC COMPONENTS | 1 | |
| 175 | YA00000203 | SMALL PANEL REAR COVER | 1 | |
| 176 | YA00000377 | AMMETER | 1 | |
| 177 | YA00000200 | MOTHER PLUG TERMINAL BLOCK | 1 | |
| 178 | YA00000310 | ELETRICAL WIRE | 1 | |
| 179 | YA00000309 | ELETRICAL WIRE | 1 | |
| 180 | YA00000308 | ELETRICAL WIRE | 2 | |
| 181 | YA00000195 | A SMALL CABLE TIE | 1 | |
| 182 | YA00000192 | HEAT SHRINKABLE TUBE | 1 | |
| 185 | YA00000237 | THE FRONT PANEL | 1 | |
| 186 | YA00000397 | MACHINE THREAD SCREW 4*10 | 8 | |
| 187 | YA00000212 | BECOME WARPED PLATE SWITCH | 1 | |
| 188 | YA00000351 | BLACK DC TERMINAL ASSEMBLY | 1 | |
| 189 | YA00000350 | RED DC TERMINAL ASSEMBLY | 1 | |
| 190 | YA00000399 | THE TROUGH PAN HEAD SCREWS 3*1 | 2 | |
| 191 | YA00000422 | ELASTIC WASHER | 2 | |
| 192 | YA00000416 | WASHER | 2 | |
| 193 | YA00000225 | METAL PANEL | 1 | |
| 194 | YA00000341 | OVER-CURRENT PROTECTOR | 1 | |
| 195 | YA00000382 | THE HYDRAULIC BREAKER | 1 | |
| 196 | YA00000402 | THREE COMBINATION SCREW | 2 | |
| 197 | YA00000405 | FLANGE SURFACE SELF TAPPING | 2 | |
| 199 | YA00000202 | AFTER THE PANEL COVER | 1 | |
| 200 | YA00000264 | PANEL SHEATHING | 3 | |
| 201 | YA00000406 | PAN HEAD FLANGE SCREW4*16 | 6 | |
| 202 | YA00000589 | BS PLUG | 2 | |
| 203 | YA00000392 | TYPE 1 NON-METALLIC HEX NUTS | 10 | |
| 204 | YA00000209 | GROUND NUT | 1 | |
| 205 | YA00000389 | HEXAGON NUTS WITH FLANGE | 1 | |
| 206 | YA00000231 | GROUND WIRE FIXED PLATE | 1 | |
| 207 | YA00000407 | BOLT 5*12 | 1 | |
| 208 | YA00000403 | BOLT 5*12 | 6 | |
| 209 | YA00000343 | RECTIFIER BRIDGE | 1 | |
| 210 | YA00000404 | MACHINE WITH SCREW5*20 | 1 | |
| 211 | YA00000218 | BLOCK ALIGNMENT | 1 | |
| 212 | YA00000345 | TRANSFORMER | 1 | |
| 213 | YA00000233 | TRANSFORMER FIXED PLATE | 1 | |
| 214 | YA00000403 | BOLT 5*12 | 2 | |
| 216 | YA00000193 | WIRE COVER 0.22M | 1 | |

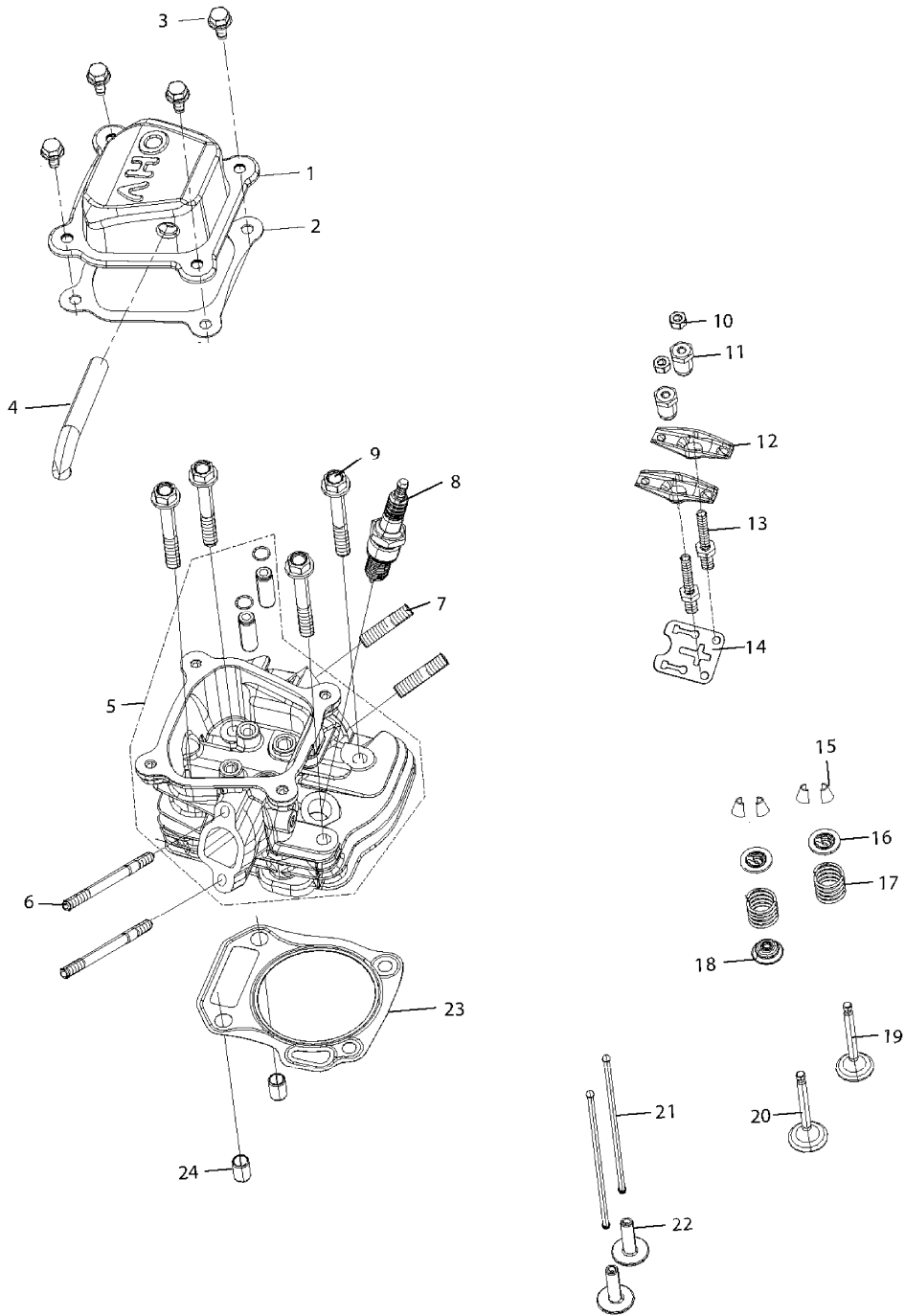
SPARE PARTS LIST

MODEL NO. EG2850A

| ITEM | PART NO. | DESCRIPTION | QTY | NOTE |
|------|------------|----------------------------|-----|------|
| 217 | YA00000287 | CONNECTING WIRE | 1 | |
| 218 | YA00000288 | CONNECTING WIRE | 1 | |
| 219 | YA00000289 | CONNECTING WIRE | 1 | |
| 220 | YA00000290 | CONNECTING WIRE | 1 | |
| 221 | YA00000291 | CONNECTING WIRE | 1 | |
| 222 | YA00000292 | CONNECTING WIRE | 2 | |
| 223 | YA00000293 | CONNECTING WIRE | 1 | |
| 224 | YA00000294 | CONNECTING WIRE | 1 | |
| 225 | YA00000295 | CONNECTING WIRE | 1 | |
| 226 | YA00000296 | CONNECTING WIRE | 1 | |
| 227 | YA00000297 | CONNECTING WIRE | 1 | |
| 228 | YA00000298 | CONNECTING WIRE | 1 | |
| 229 | YA00000299 | CONNECTING WIRE | 1 | |
| 230 | YA00000301 | CONNECTING WIRE | 1 | |
| 231 | YA00000302 | CONNECTING WIRE | 1 | |
| 232 | YA00000303 | CONNECTING WIRE | 1 | |
| 233 | YA00000304 | CONNECTING WIRE | 1 | |
| 234 | YA00000305 | CONNECTING WIRE | 1 | |
| 235 | YA00000306 | CONNECTING WIRE | 2 | |
| 236 | YA00000307 | CONNECTING WIRE | 2 | |
| 239 | YA00000201 | MALE PLUG TERMINAL BLOCK | 1 | |
| 240 | YA00000200 | MOTHER PLUG TERMINAL BLOCK | 1 | |
| 241 | YA00000195 | A SMALL CABLE TIE | 8 | |
| 242 | YA00000263 | END COVER SHEATH | 1 | |
| 243 | YA00000193 | WIRE COVER 0.22M | 1 | |
| 244 | YA00000569 | HEAT-SHRINKABLE TUBE0.1M | 2 | |
| 245 | YA00000570 | TERMINAL | 2 | |

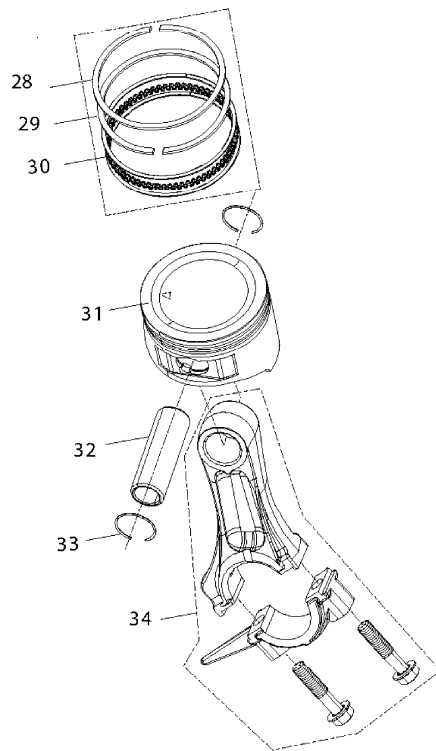
SERVICE DRAWING

MODEL NO. EG2850A



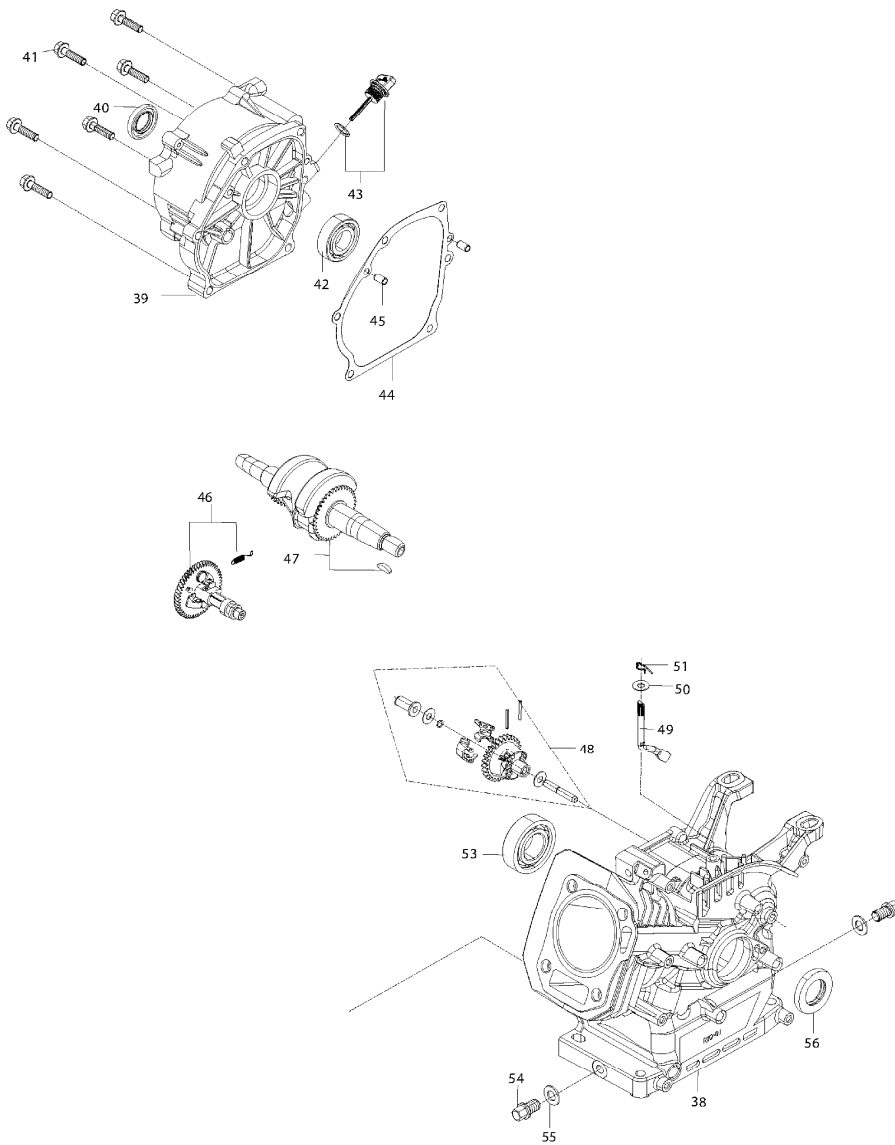
SERVICE DRAWING

MODEL NO. EG2850A



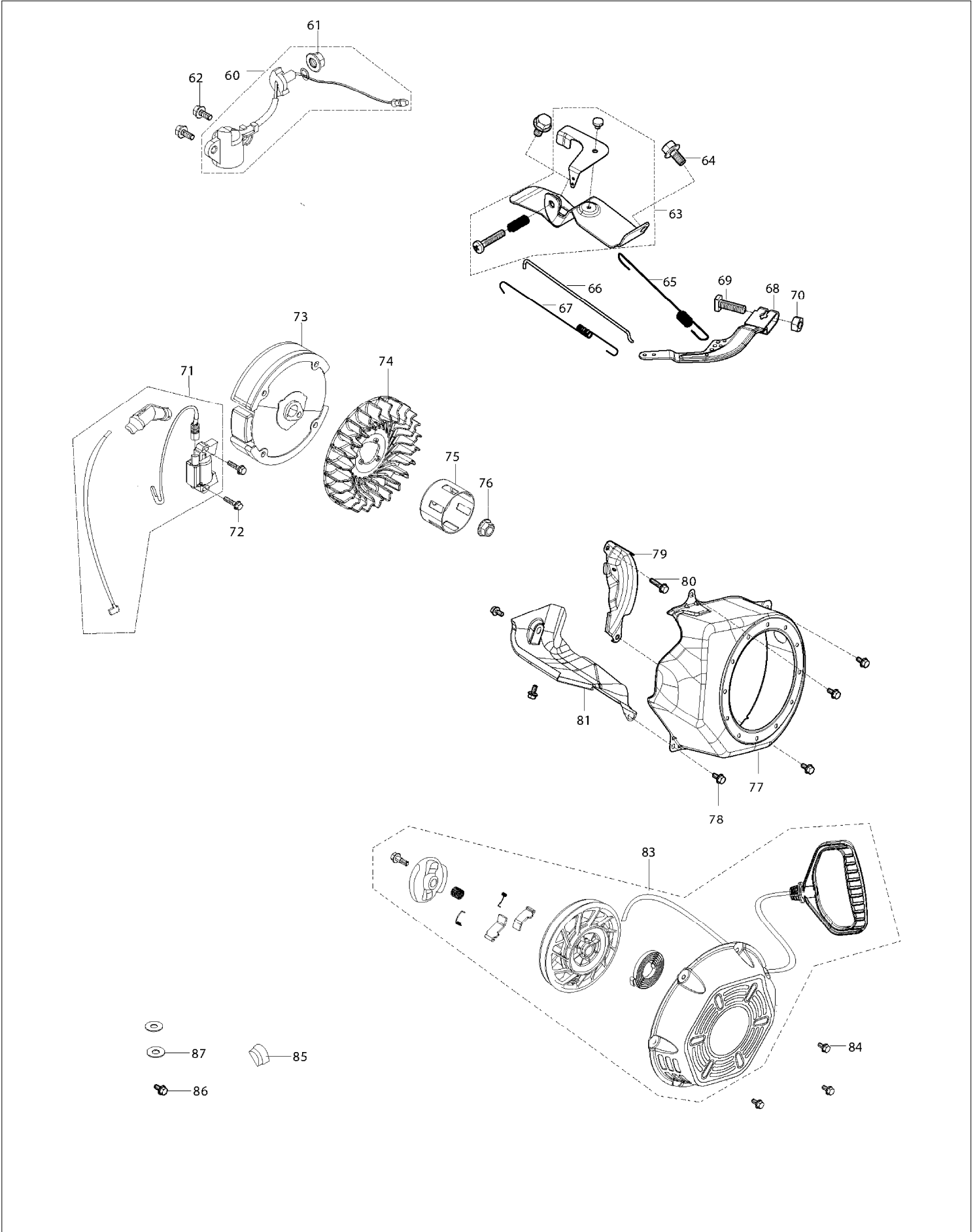
SERVICE DRAWING

MODEL NO. EG2850A



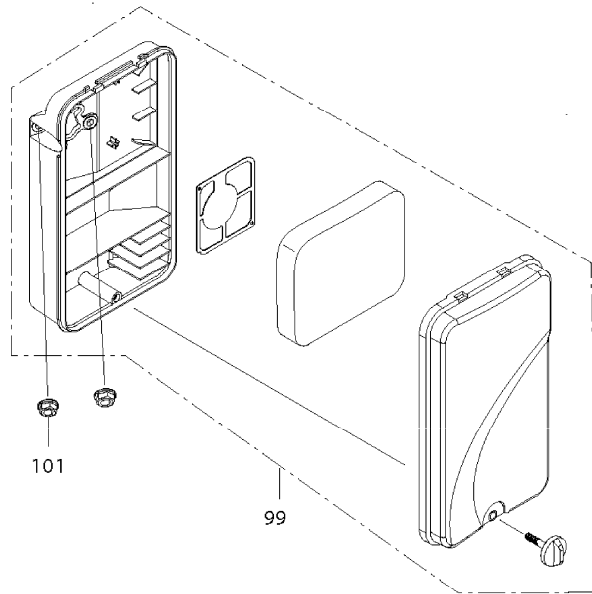
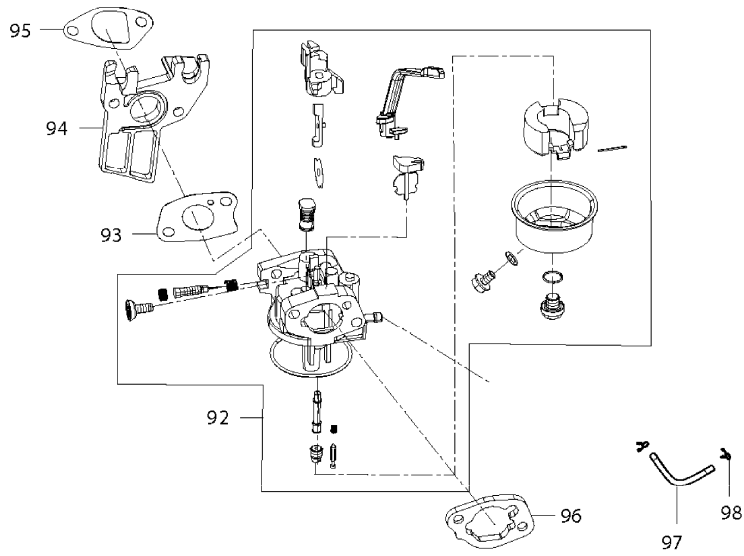
SERVICE DRAWING

MODEL NO. EG2850A



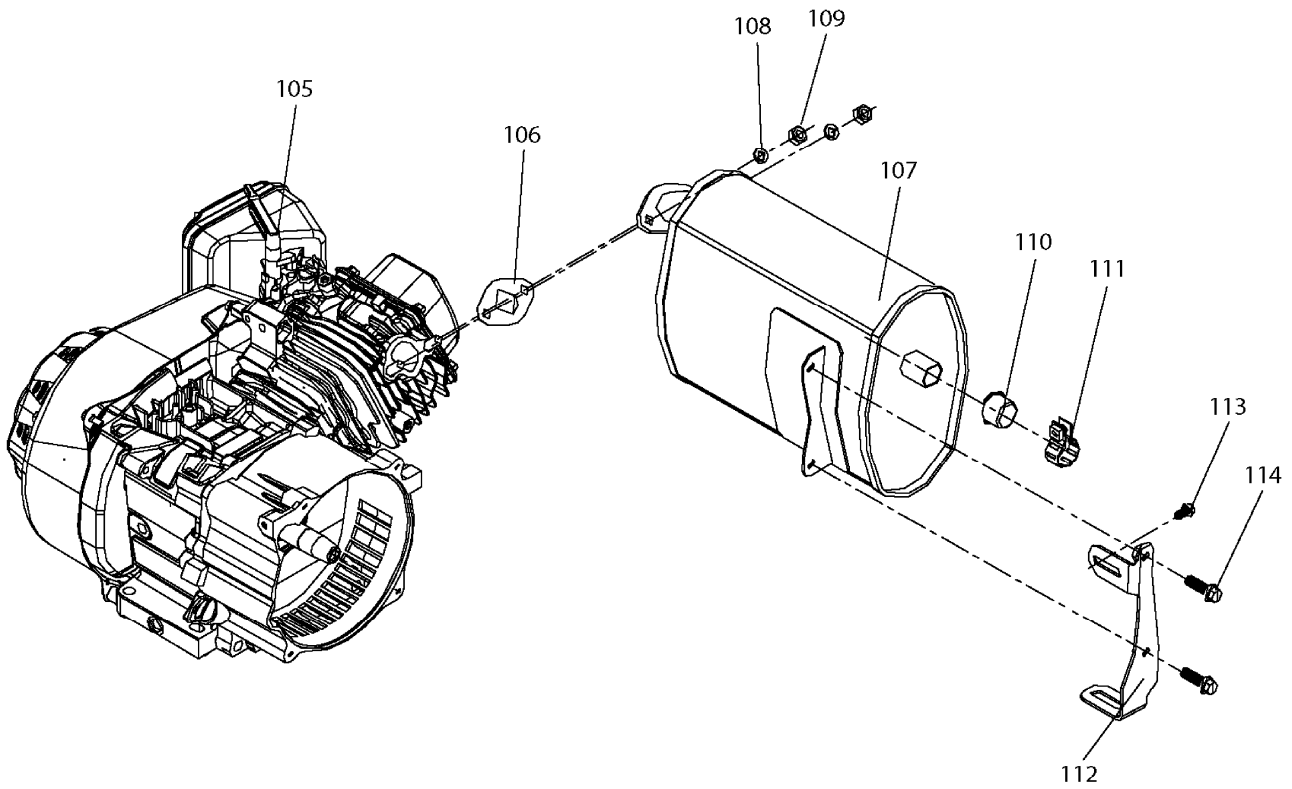
SERVICE DRAWING

MODEL NO. EG2850A



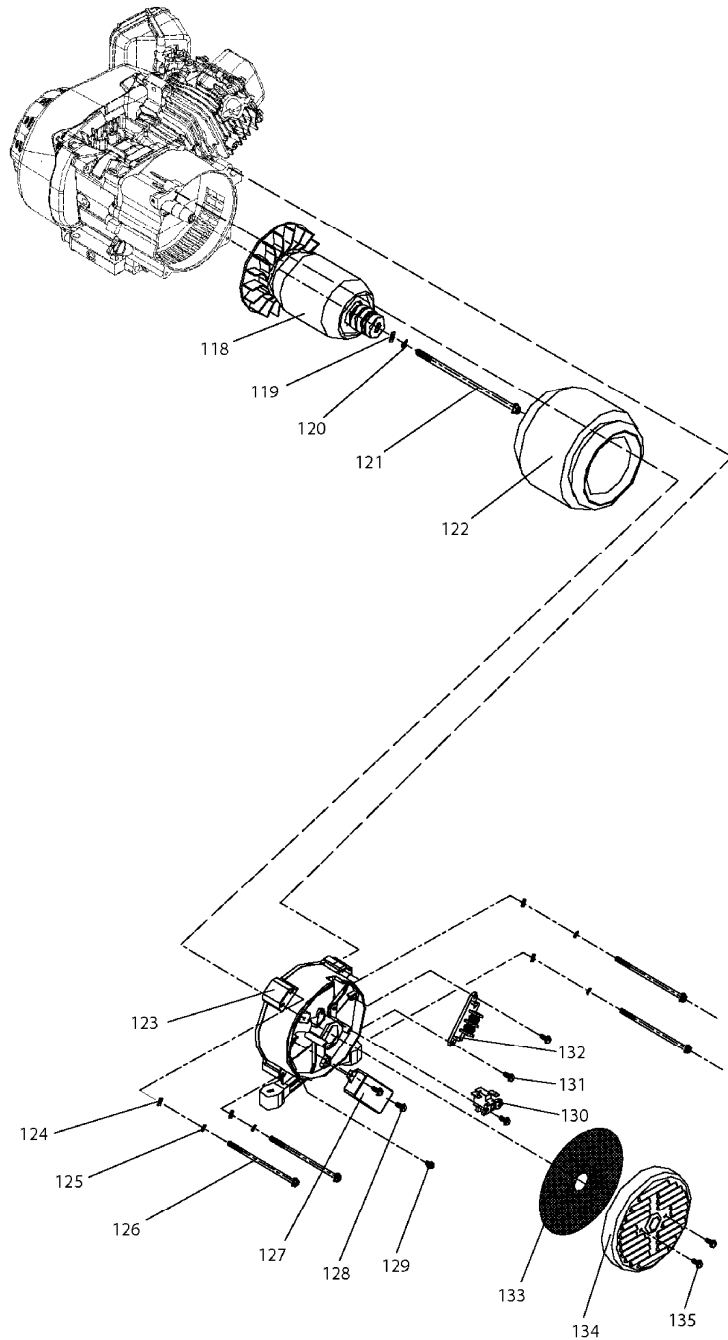
SERVICE DRAWING

MODEL NO. EG2850A



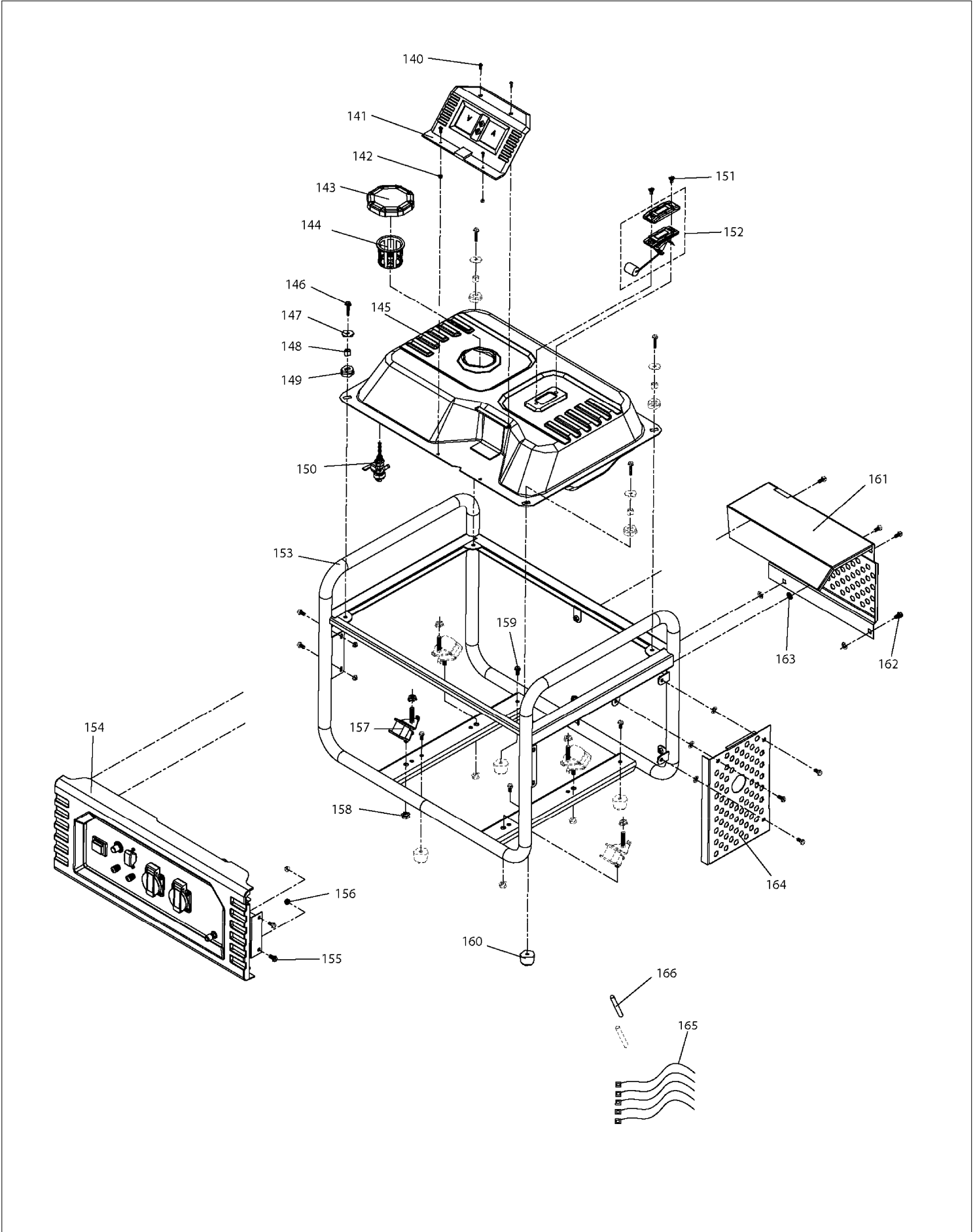
SERVICE DRAWING

MODEL NO. EG2850A



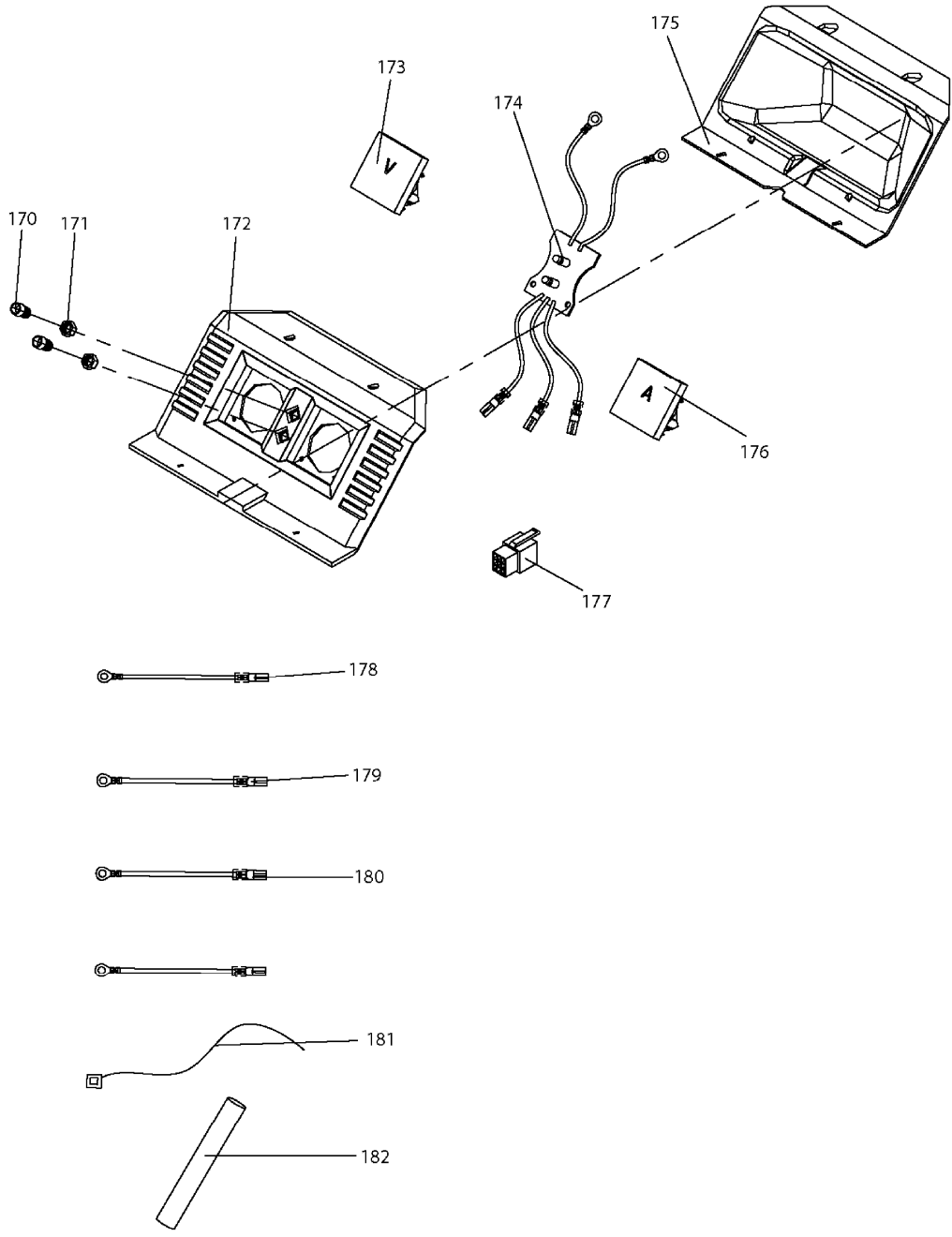
SERVICE DRAWING

MODEL NO. EG2850A



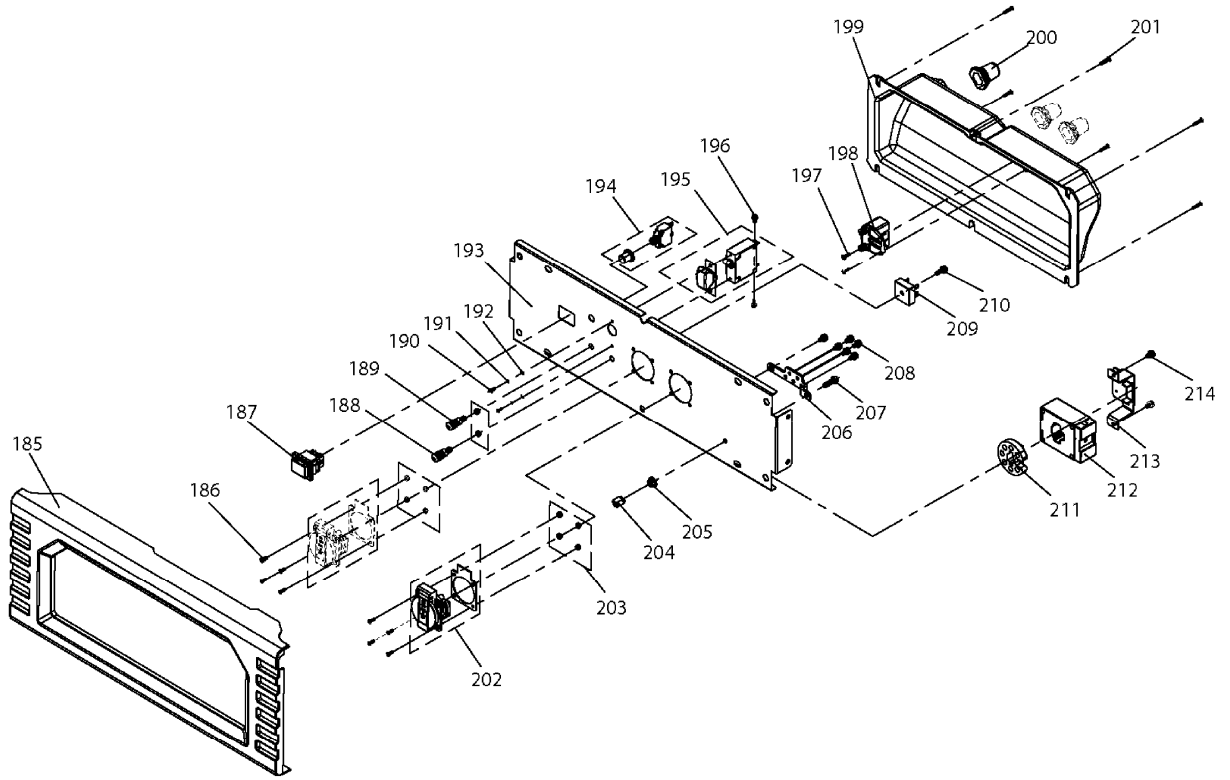
SERVICE DRAWING

MODEL NO. EG2850A



SERVICE DRAWING

MODEL NO. EG2850A



- 216
- 217
- 218
- 219
- 220
- 221
- 222
- 223
- 224
- 225
- 226
- 227
- 228
- 229
- 230
- 231
- 232
- 233
- 234
- 235
- 236
- 237
- 238
- 239
- 240
- 241
- 242
- 243
- 244
- 245