

# SPARE PARTS LIST

MODEL NO. EG601A

ITEM	PART NO.	DESCRIPTION	QTY	NOTE
001	20E1010441	CRANK CASE CP INC. 2-5	1	
002	0440350091	OIL SEAL (TB 35X48X8MM)	1	
003	X600350240	BALL BEARING	1	
004	2771501103	PIPE KNOCK 10.3DX8.5DX14L	2	
005	0440080010	OIL SEAL	1	
006	0401140030	PLUG	1	
007	0211140020	GASKET	1	
008	20B1100421	MAINBEARING COVER CP INC. 9-10	1	
009	0440350091	OIL SEAL (TB 35X48X8MM)	1	
010	X600350240	BALL BEARING	1	
011	20B4500311	GOVERNOR GEAR CP	1	
012	2774190201	GOVERNOR SLEEVE CP	1	
013	2246360101	OIL GAUGE COMPLETE INC. 14	2	
014	2796360108	GASKET	2	
015	0110080340	FLANGE BOLT	8	
016	20B1300100	CYLINDER HEAD AY INC. 17-20,29	1	
017	0105060351	STUD M6X1.0X98L	2	
018	0105080290	MUFFLER STUD	2	
019	13211AA110	SEAL(INTAKE VALVE)	1	
020	0565100050	CLIP	1	
021	2633534103	RETAINER PLATE	1	
022	20B1500133	GASKET(HEAD)	1	
023	0310060020	DOWEL PIN	2	
024	0110100040	FLANGE BOLT	4	
025	0010408350	FLANGE BOLT	2	
026	20B1550101	ROCKER COVER CP	1	
027	20B1600103	GASKET(ROCKER COVER)	1	
028	0110060020	FLANGE BOLT M6X1.0X14DX12L	4	
029	20B1420203	VALVE GUIDE	2	
030	20B9900137	GASKET SET INC.007,014,022,027,066,093 INC.129,130	1	
031	20B2070101	CRANK SHAFT CP	1	
032	0053205401	WOODRUFF KEY	1	
033	20B2250300	CONNECTING ROD AY INC. 34	1	
034	0010508400	FLANGE BOLT	2	
035	2632330133	PISTON PIN	1	
036	0565210020	CLIP	2	
037	20B23401J3	PISTON	1	
038	20B2350107	PISTON RING SET	1	
039	20B3160120	CAMSHAFT AY	1	
040	0051904100	SPRING PIN	2	
041	2773640103	RELEASE LEVER	1	
042	20B3870103	RETURN SPRING	1	
043	20B3650103	CLIP	1	
044	20B3510121	PIN (CAM SHAFT) CP INC. 45-46	1	
045	20B3510103	PIN(CAM SHAFT)	1	
046	0240070021	O-RING	1	
047	0110060020	FLANGE BOLT M6X1.0X14DX12L	1	
048	20B33401H3	INTAKE VALVE	1	
049	20B33501H3	EXHAUST VALVE	1	
050	2463361103	VALVE SPRING	2	
051	2463371113	SPRING RETAINER	2	
052	2463550103	COLLET-VALVE	4	
053	20B3610100	ROCKER ARM(IN) AY	1	

# SPARE PARTS LIST

MODEL NO. EG601A

ITEM	PART NO.	DESCRIPTION	QTY	NOTE
		INC. 54-55		
054	0149050020	ADJUST SCREW M5X23	1	
055	0170050030	NUT M5	1	
056	20B3610210	ROCKER ARM(EX) AY	1	
		INC. 57-58		
057	0149050020	ADJUST SCREW M5X23	1	
058	0170050030	NUT M5	1	
059	20B3500101	PIN(ROCKER)CP	1	
		INC. 60		
060	0031306000	CLIP	1	
061	20B35601H1	TIMING CHAIN CP	1	
062	20A3691103	TENSIONER	1	
063	2773710103	SPRING(TENSIONER)	1	
064	2773690203	PIN(TENSIONER) 6DX13DX34L	1	
065	20A3691303	CHAIN GUIDE	1	
066	20B3520113	GASKET(MUFFLER)	1	
067	0023808000	FLANGE NUT	2	
068	20B3400101	EXHAUST PIPE CP	1	
		INC. 69		
069	0105080290	MUFFLER STUD	2	
070	X851100170	RUBBER PIPE	1	
071	20B69001H3	SPONGE PROTECTOR	1	
072	0023806000	FLANGE NUT M6	2	
073	0010406160	FLANGE BOLT	1	
074	20B32622J0	AIR CLEANER AY	1	
		INC. 75-80		
075	20B32640H8	COVER CP	1	
076	20B32630J8	BODY COMPLETE	1	
077	20B32720H8	PACKING	1	
078	20B32611H8	ELEMENT	1	
079	20B32650H8	BOLT	1	
080	20B32850H8	CAP	1	
081	20B4230110	GOVERNOR LEVER AY	1	
		INC. 82-83		
082	0011406250	BOLT & WASHER ASS'Y	1	
083	0186060020	NUT M6X1.0X4.9H	1	
084	20B4220101	GOVERNOR SHAFT CP	1	
085	0031306000	CLIP	1	
086	0031108000	WASHER	1	
087	0031306000	CLIP	1	
088	20B4270113	GOVERNOR ROD	1	
089	20B4280113	ROD SPRING	1	
090	20B4250213	GOVERNOR SPRING	1	
091	20B4335103	SPEED CONTROL LEVER	1	
092	20B4600121	SPEED CONTROL BKT CP	1	
093	20B3590313	GASKET 3	1	
094	0023506000	SELF LOCK NUT	1	
095	0043106400	SCREW	1	
096	0022706000	NUT M6	1	
097	0110060020	FLANGE BOLT M6X1.0X14DX12L	1	
098	20B51201H1	BLOWER HOUSING CP	1	
099	KU31107601	FLOAT C/U CP10	1	
100	20B7310201	WIRE 2 CP	1	
101	0043604120	SCREW AND WASHER AY	2	
102	0732005181	LABEL(WARNING)	1	
103	0010406160	FLANGE BOLT	5	
104	0732005470	LABEL(TRADE MARK)	1	
105	0130060281	BOLT AND WASHER AY	4	
106	20B5510102	RECOIL BRACKET UN	1	
107	0100080440	BOLT	2	
108	0100080450	BOLT	2	

# SPARE PARTS LIST

MODEL NO. EG601A

ITEM	PART NO.	DESCRIPTION	QTY	NOTE
109	0023806000	FLANGE NUT M6	4	
110	2795271111	BAFFLE 1 (CASE) COMPLETE	1	
111	0016508120	BOLT	1	
112	20B52702H1	BAFFLE 2(HEAD) CP	1	
113	0110060020	FLANGE BOLT M6X1.0X14DX12L	3	
114	20B5500103	DUCT(CASE)	1	
115	0110060020	FLANGE BOLT M6X1.0X14DX12L	3	
116	20B50301H0	RECOIL STARTER AY INC. 117-127	1	
117	20B5015008	STARTER CASE CP	1	
118	20B5012008	REEL	1	
119	1615012508	RATCHET	2	
120	2775015508	SPIRAL SPRING	1	
121	2275013108	FRICTION SPRING	1	
122	2275013508	RETURN SPRING	2	
123	1615015008	RATCHET GUIDE	1	
124	20B5010108	SET SCREW	1	
125	20B5011008	STARTER ROPE	1	
126	2615010018	STARTER KNOB	1	
127	20B5014508	STARTER PULLEY	1	
128	20B32901K1	INSULATOR CP INC. 129-130	1	
129	20B35901H3	GASKET 1	1	
130	20B35902H3	GASKET 2	1	
131	20E6230230	CARBURETOR AY INC. 132-152	1	
132	20B6235308	SCREW,THRO.ADJUST	1	
133	2616235208	SCREW VALVE SET	2	
134	20B6245308	SCREW	2	
135	20B6253508	VALVE,THROTTLE	1	
136	20B6252608	VALVE,CHOKE	1	
137	2266258008	AIR FILTER	1	
138	2586255408	FILTER CHOKE SHAFT	1	
139	2636251508	PIN,FLOAT	1	
140	20B6254108	O RING	1	
141	20B6254008	SPACER	1	
142	20B6252008	SPACER	1	
143	20B6244508	SPRING,THRO.ADJUST	1	
144	20B6250508	FLOAT AY	1	
145	20B6250008	VALVE AY FLOAT	1	
146	20B6252718	CHOKE SHAFT	1	
147	20B6253008	SHAFT AY,THROTTLE	1	
148	2616242008	JET,SLOW	1	
149	20B6243708	JET,MAIN (#108)	1	
150	20B6254208	O RING	1	
151	20B6255008	CHAMBER CP,FLOAT	1	
152	20B6235408	SCREW,DRAIN	1	
153	20B6235708	NEEDLE CP,IDLEADJUST	1	
154	20B79230H1	FLYWHEEL CP	1	
155	20B79430H1	IGNITION COIL CP	1	
156	0655000320	SPARK PLUG CAP	1	
157	0011406300	BOLT AND WASHER ASS'Y	2	
158	20B54101H3	COOLING BLOWER	1	
159	0180180010	FLANGE NUT M18X15X31DX14H	1	
160	0650140150	SPARK PLUG (BR6HS)	1	
161	20B7310101	WIRE 1 CP	1	
162	2147900601	CLAMP COMPLETE	1	
163	0110060010	FLANGE BOLT M6X1.0X14DX8L	1	
164	2797630161	OIL LEVEL SENSOR CP	1	
165	0130060260	BOLT AND WASHER ASSEMBLY	2	
166	20B7550103	WIRE CLAMP	1	

# SPARE PARTS LIST

MODEL NO. EG601A

ITEM	PART NO.	DESCRIPTION	QTY	NOTE
167	0152060050	TAPPING BOLT	1	
168	36D2000108	STATOR CP	1	
169	36D2010108	ROTOR CP	1	
170	36D2020108	AVR CP	1	
171	36A2030008	BRUSH CP	1	
172	36D2200008	BRACKET 1	1	
173	36A2210008	GEN BRACKET N	1	
174	36C2220008	GEN BRACKET 2	1	
175	36C2300008	BRACKET COVER	1	
176	36A2500008	BUSHING	1	
177	36D2100008	STATOR BOLT	4	
178	36A8000508	FLANGE BOLT	4	
179	36A8000108	FLANGE BOLT	2	
180	36A8010008	SCREW & WASHER AY	1	
181	36A8000208	FLANGE BOLT	4	
182	36A2500108	DIODE CP	1	
183	36A8010108	SCREW & WASHER AY	1	
184	36C2500208	TUBE	1	
185	36A2500308	GROMMET	1	
186	36A7000008	CONNECTOR(6P)	1	
187	36A7000408	CONNECTOR(4P)	1	
188	36A7000208	CONNECTOR(2P)	1	
189	36A7010108	RETAINER(2P)	3	
190	36A7010008	RETAINER(3P)	2	
191	36A7101308	WIRE(GREEN)	1	
192	36A7100108	WIRE(WHITE)	1	
193	36A8020008	SCREW	4	
194	36A7000508	CONNECTOR AY	1	
195	36D2110008	ROTOR BOLT	1	
196	36C2500408	SPONGE(FILTER)	1	
197	0732005470	LABEL(TRADE MARK)	1	
198	36D3000008	PIPE FRAME CP	1	
199	36C4000108	CONTOROL BOX AY	1	
200	36A8010408	SCREW & WASHER AY	4	
201	36A8010508	SCREW & WASHER AY	4	
202	36D3400008	BRACKET(TANK-A)CP	1	
203	36D3410008	GUIDE PLATE CP	1	
204	36D3200008	MUFFLER COVER (R) CP	1	
205	36D3210008	MUFFLER COVER (F) CP	1	
206	36A8030008	BOLT & WASHER AY	21	
207	36D3250008	MUFFLER BRACKET 1 CP	1	
208	36D3260008	MUFFLER BRACKET 2 CP	1	
209	36D3300008	MOUNT BASE CP	2	
210	36A8100208	FLANGE NUT	8	
211	36A8000608	FLANGE BOLT	4	
212	36A8100308	FLANGE NUT	6	
213	36A8000708	FLANGE BOLT	2	
214	36A8000808	FLANGE BOLT	3	
215	36A8100408	FLANGE NUT	1	
216	36D3700008	MOUNT CP	4	
217	36A8000408	FLANGE BOLT	1	
218	36A8200108	LOCK WASHER	1	
219	36A2500508	SPONGE(GEN)	2	
220	36D3500008	SPONGE(TANK)	1	
221	36C3500108	SPONGE(PANEL)	1	
222	36A7101908	WIRE(GREEN/YELLOW)	1	
223	36D9100208	LABEL(SPEC)	1	
224	36A9800308	LABEL(HOT & GAS)	1	
225	36A9800108	LABEL(FUEL COCK)	1	
226	36D1100111	MUFFLER CP	1	
227	2673760101	SPARK ARRESTER CP	1	

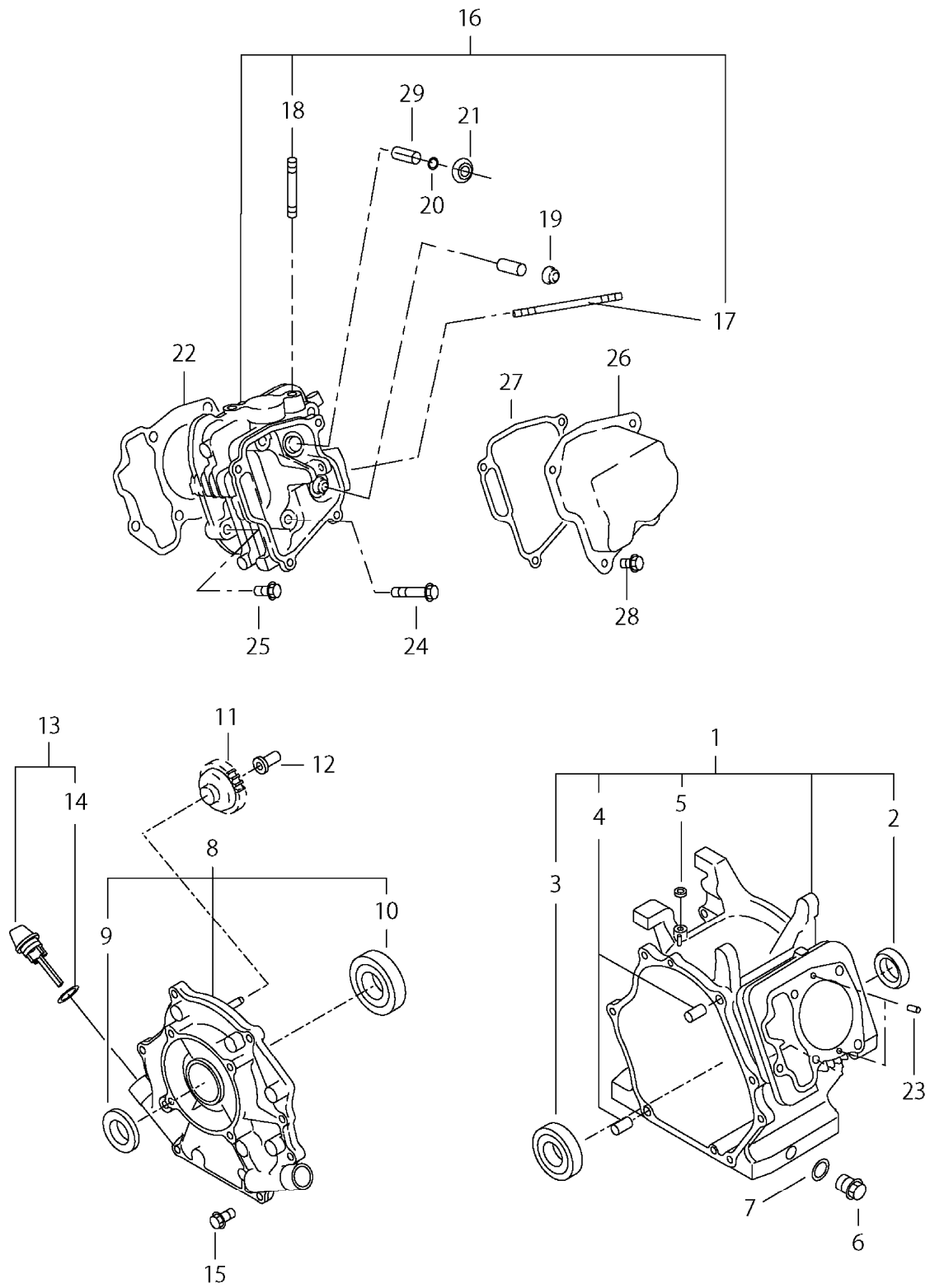
# SPARE PARTS LIST

MODEL NO. EG601A

ITEM	PART NO.	DESCRIPTION	QTY	NOTE
228	0150040060	TAPPING SCREW M4X6L	1	
229	0170080030	NUT	2	
230	0032008000	SPRING WASHER	2	
231	36D1400101	EXHAUST PIPE	1	
232	0103080070	BOLT	2	
233	0203080010	SPRING WASHER	2	
234	2703520101	GASKET COMPL.(EXHAUST)	2	
235	36D4100108	CONTROL PANEL CP	1	
236	36A4900008	SWITCH(ENGINE)	1	
237	36A4700108	AC CONCENT (GER)	2	
238	36C4800008	CIRCUIT BREAKER(10A)	1	
239	36A4900108	VOLT METER	1	
240	36A4710108	DC CONCENT	1	
241	36A4800108	CIRCUIT BREAKER(10A)	1	
242	36A8010208	SCREW & WASHER AY	1	
243	36A8200008	LOCK WASHER	1	
244	36A8100008	FLANGE NUT	1	
245	36A8210008	CAP WASHER	1	
246	36A8220008	WASHER	1	
247	36A8230008	SPRING WASHER	1	
248	36A8110008	WING NUT	1	
249	36A7000308	CONNECTOR(2P)	1	
250	36A7000108	CONNECTOR(6P)	1	
251	36A7010108	RETAINER(2P)	1	
252	36A7010008	RETAINER(3P)	2	
253	36A8010308	SCREW & WASHER AY	2	
254	36A8020108	SCREW	8	
255	36A8100108	FLANGE NUT	8	
256	36C4990008	GROMMET	1	
257	36A7100208	WIRE(WHITE)	1	
258	36A7100308	WIRE(WHITE)	1	
259	36A7100408	WIRE(BLACK)	1	
260	36A7101408	WIRE(GREEN)	1	
261	36A7100608	WIRE(BLACK)	1	
262	36A7101508	WIRE(RED)	1	
263	36A7101608	WIRE(RED)	1	
264	36A7101708	WIRE(GREEN)	1	
265	36A7101808	WIRE(BLUE)	1	
266	36D9000208	LABEL(TRADE MARK)	1	
267	36A9800408	LABEL(ELEC.SHOCK)	1	
268	31H3600501	FUEL TANK CP	1	
269	0430590011	FUEL TANK CAP, COMPLETE	1	
270	0641540011	FUEL FILTER	1	
271	0648001500	FUEL GAUGE COMPLETE	1	
272	0110060220	FLANGE BOLT	4	
273	3913900013	RUBBER (TANK)	4	
274	0642006400	FUEL STRAINER ASS'Y INC. 275-279	1	
275	0642004210	CUP	1	
276	0642006410	RUBBER PACKING	1	
277	0642006420	SCREEN	1	
278	0642006430	NUT	1	
279	0642006440	RUBBER PACKING	1	
280	0851061860	RUBBER PIPE	1	
281	0561100030	HOSE CLAMP	2	
282	36D6000108	CORRUGATED TUBE(150)	1	
283	36A9800208	LABEL(SYMBOL-TANK)	1	
A01	2249030300	ACCESSORY TOOLS KIT	1	
A02	36A7900008	BATTERY CABLE	1	

# SERVICE DRAWING

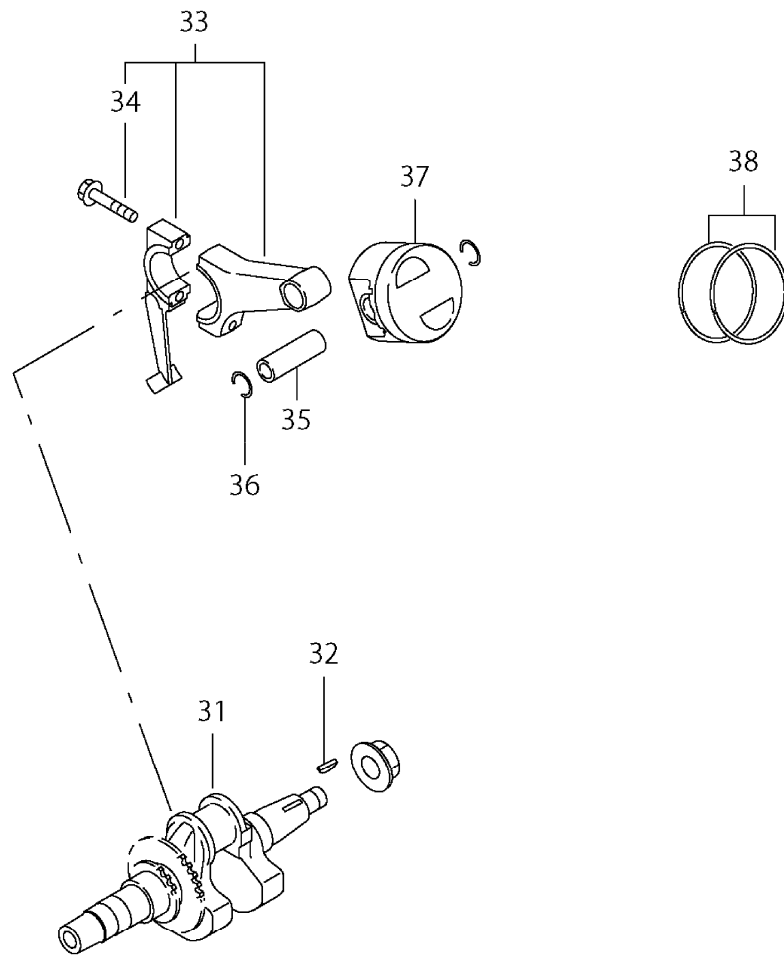
MODEL NO. EG601A



30 - GASKET SET

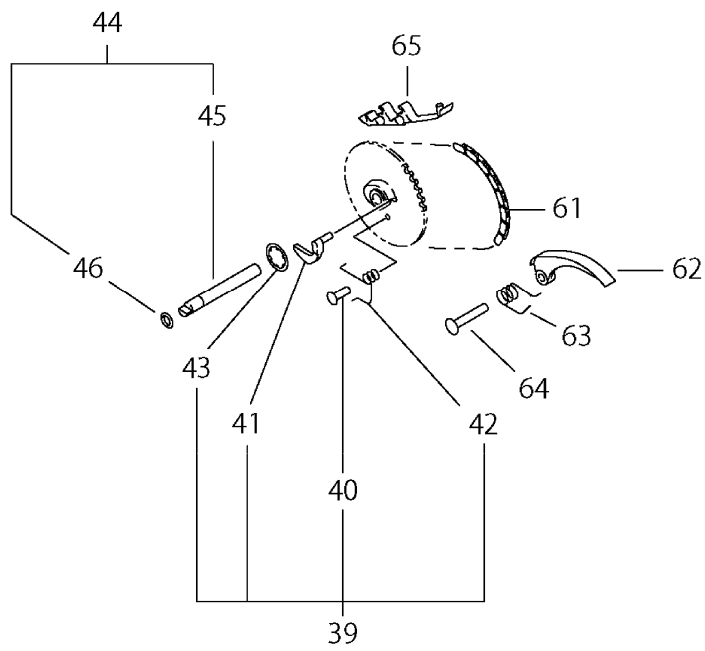
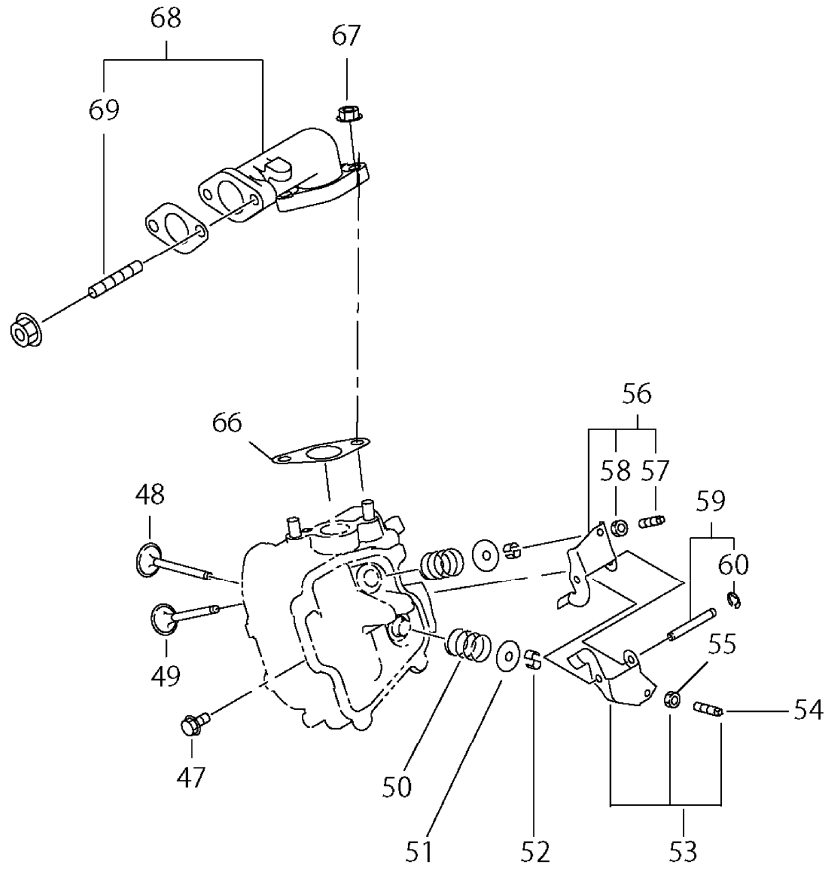
# SERVICE DRAWING

MODEL NO. EG601A



# SERVICE DRAWING

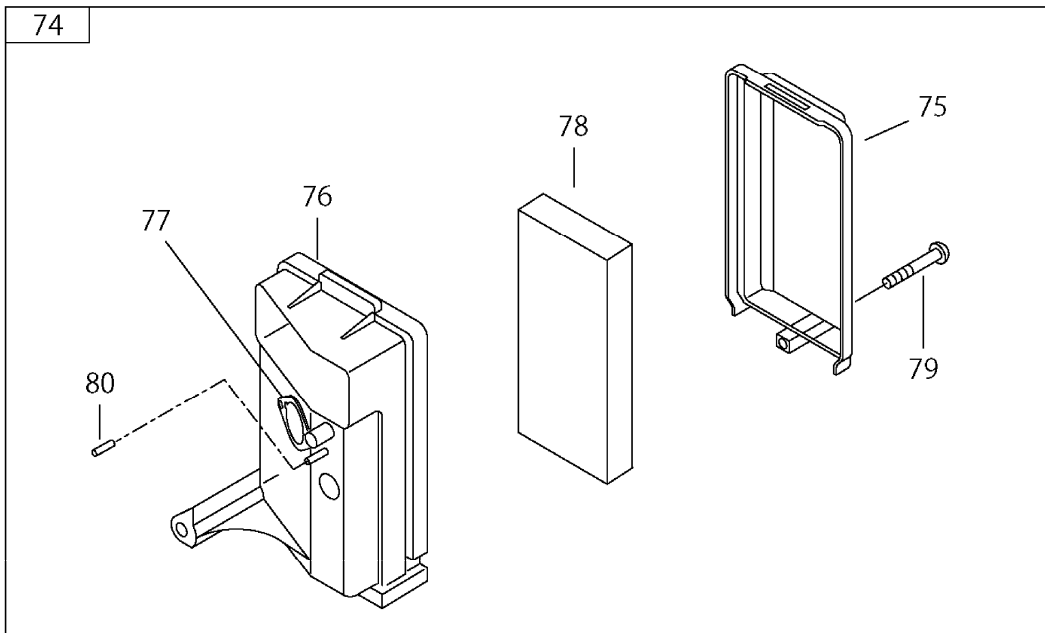
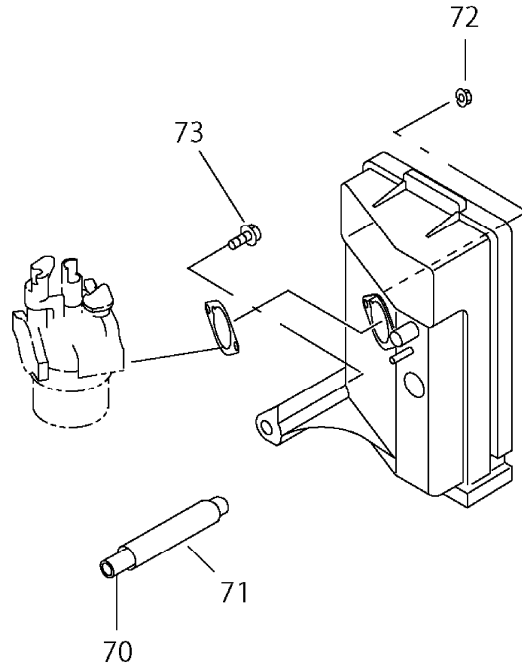
MODEL NO. EG601A





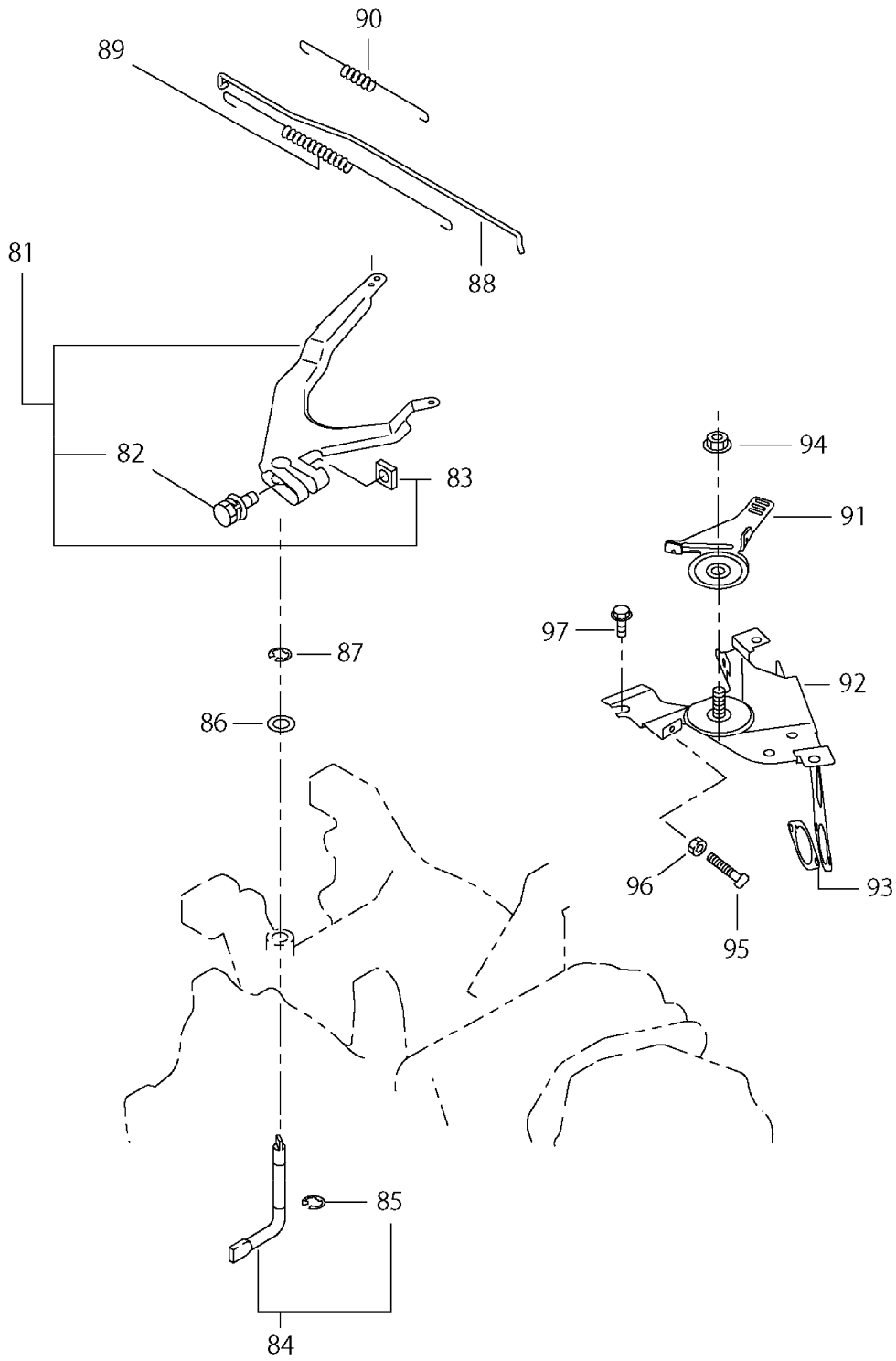
# SERVICE DRAWING

MODEL NO. EG601A



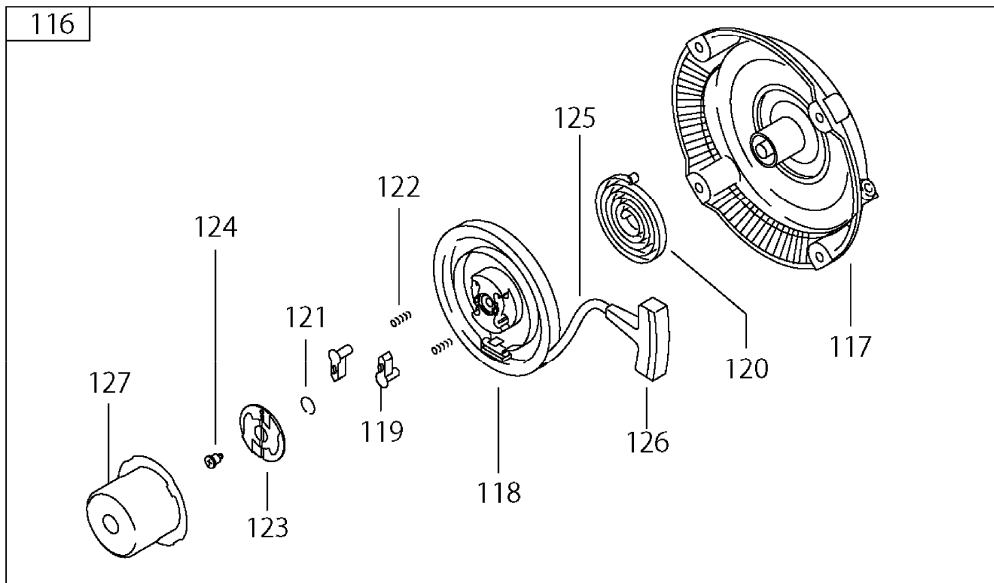
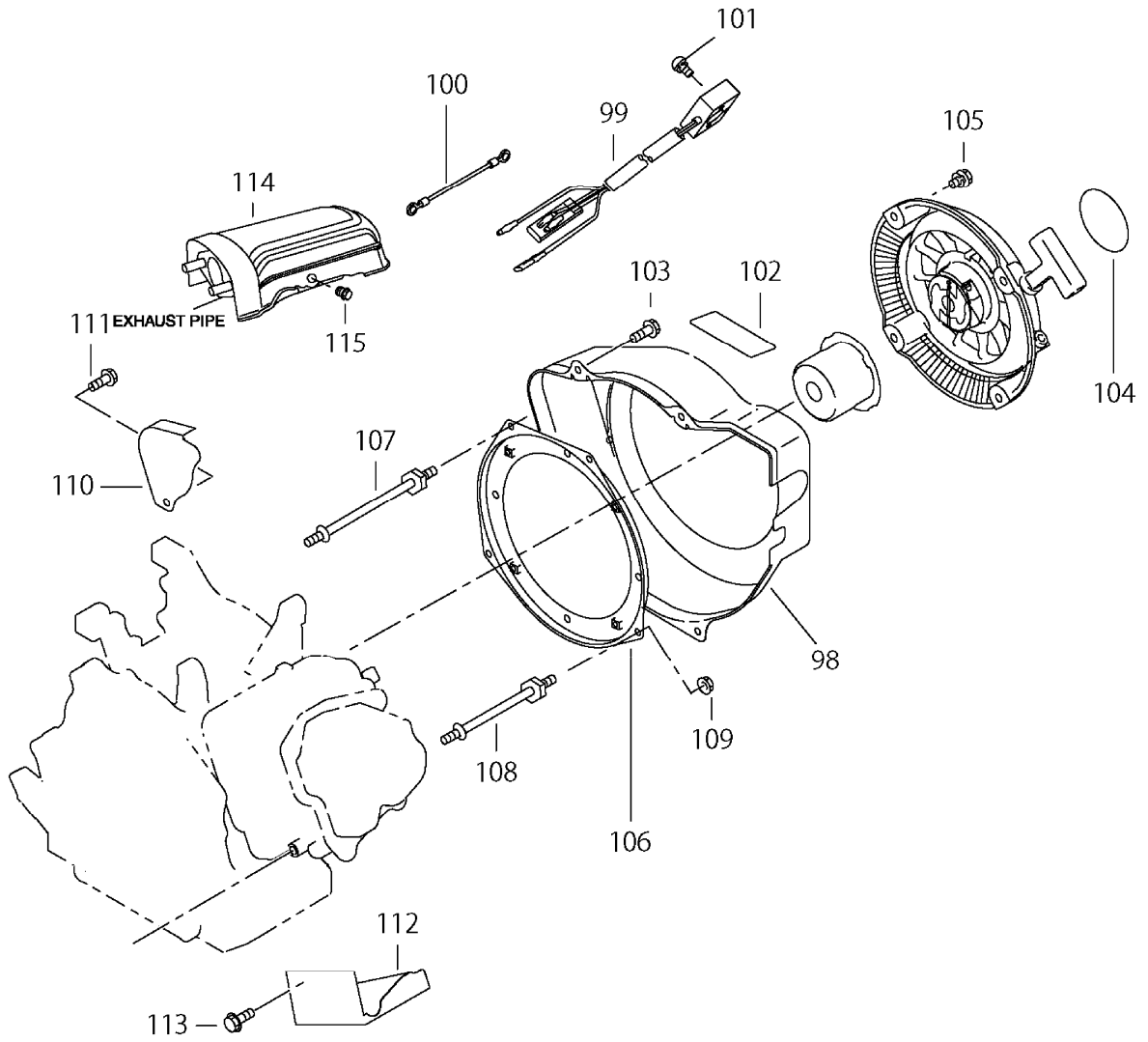
# SERVICE DRAWING

MODEL NO. EG601A



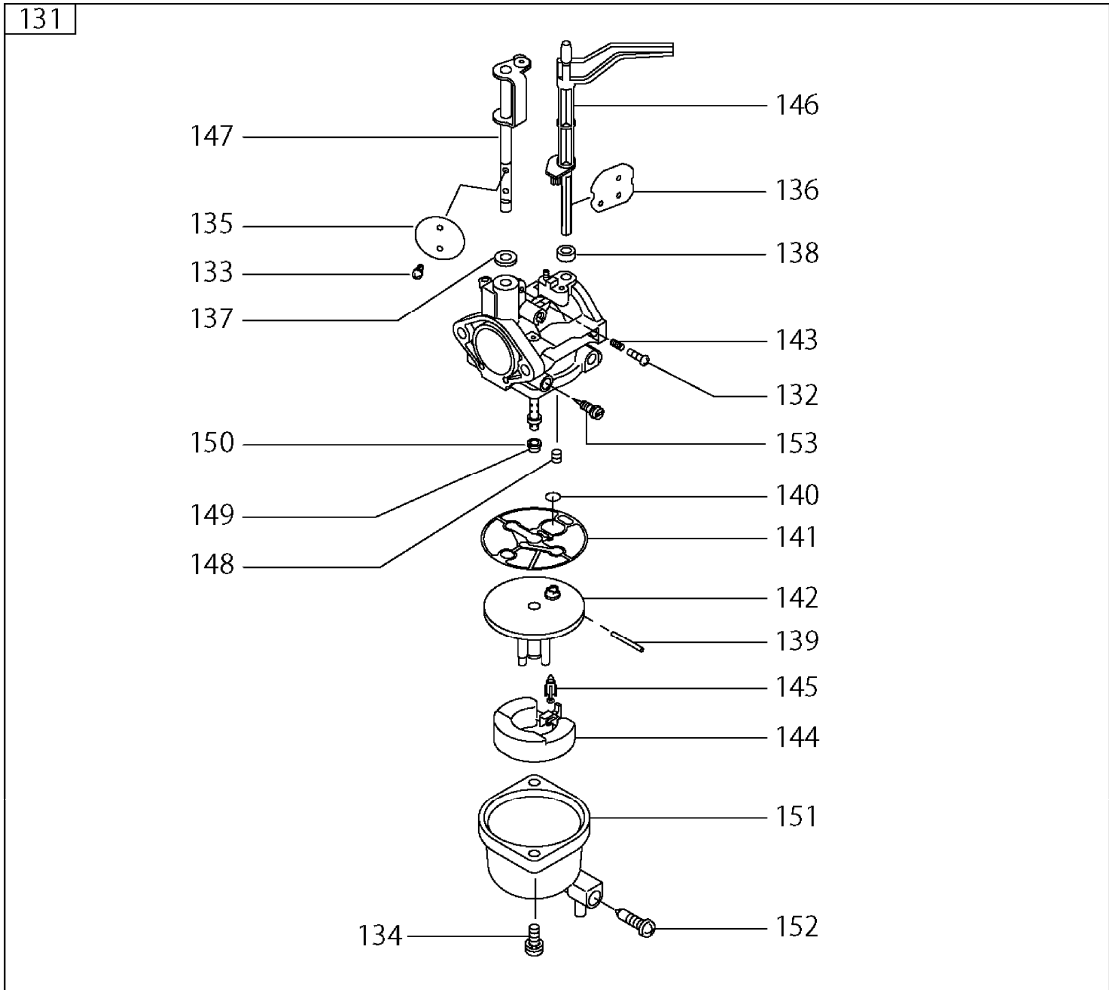
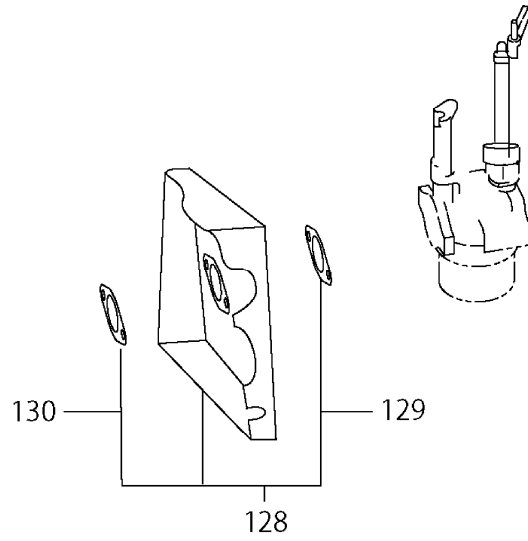
# SERVICE DRAWING

MODEL NO. EG601A



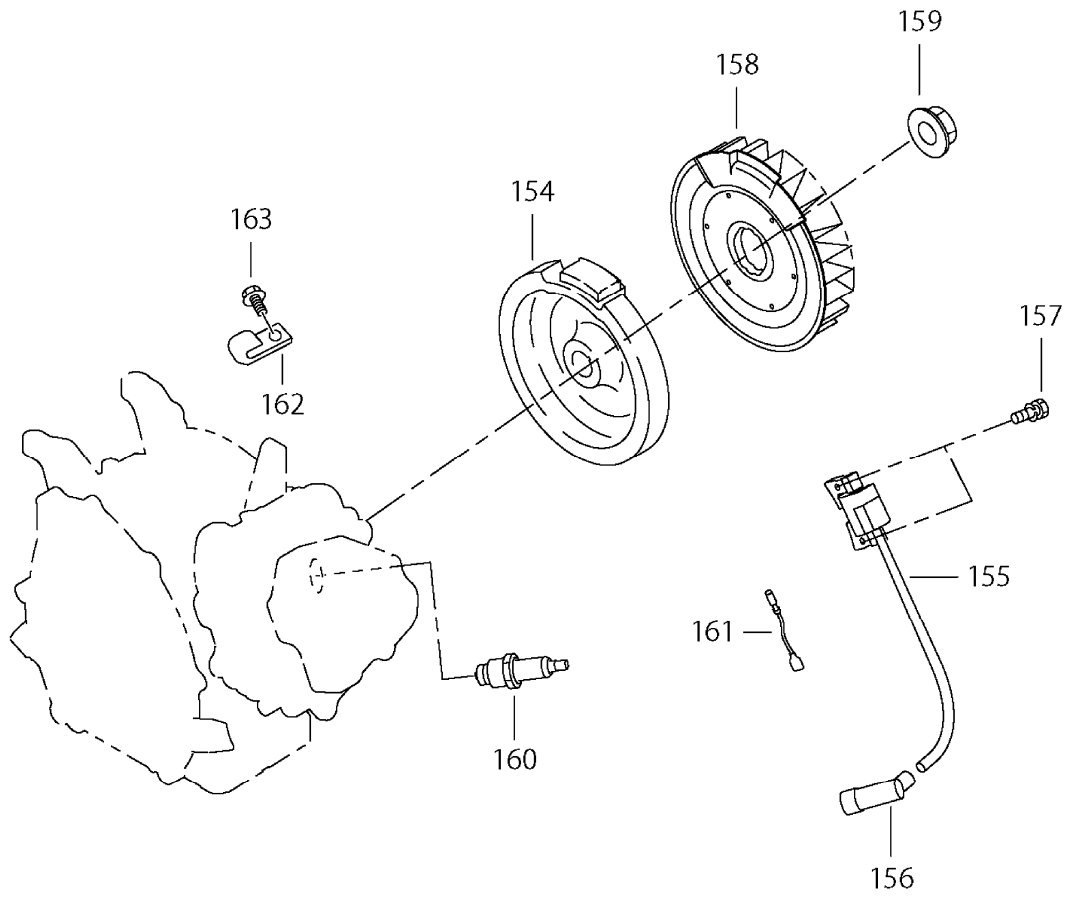
# SERVICE DRAWING

MODEL NO. EG601A

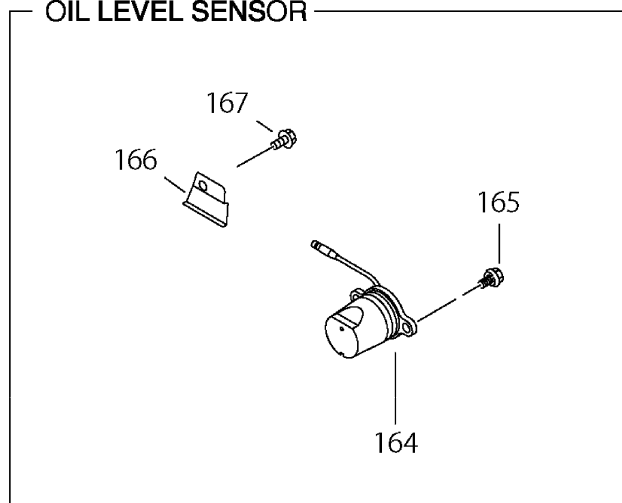


# SERVICE DRAWING

MODEL NO. EG601A

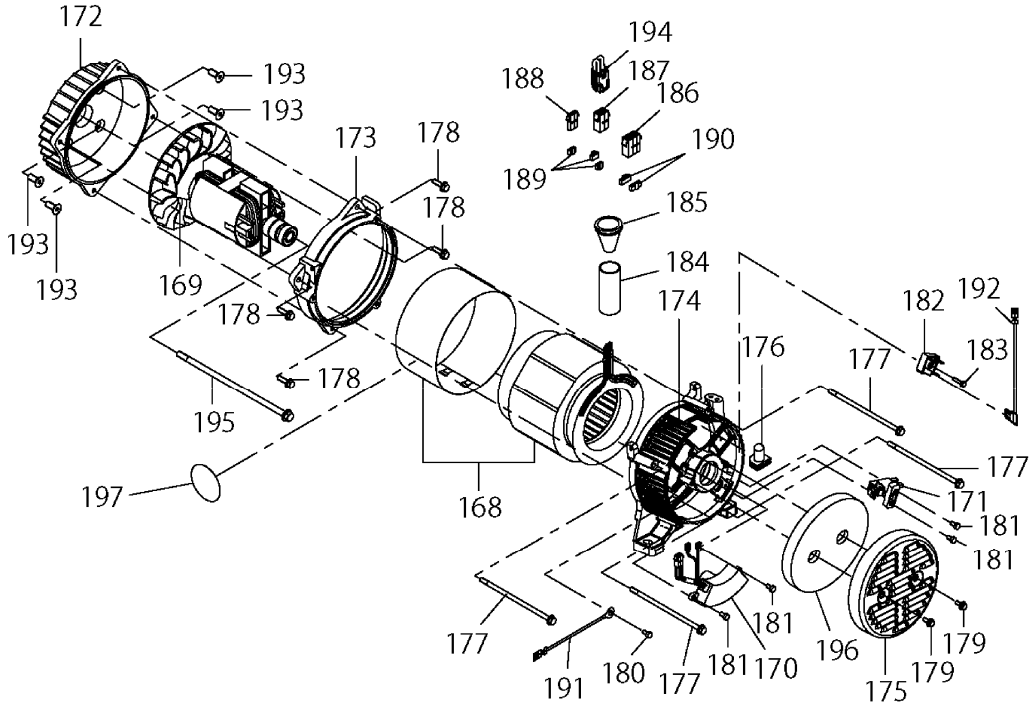


## OIL LEVEL SENSOR



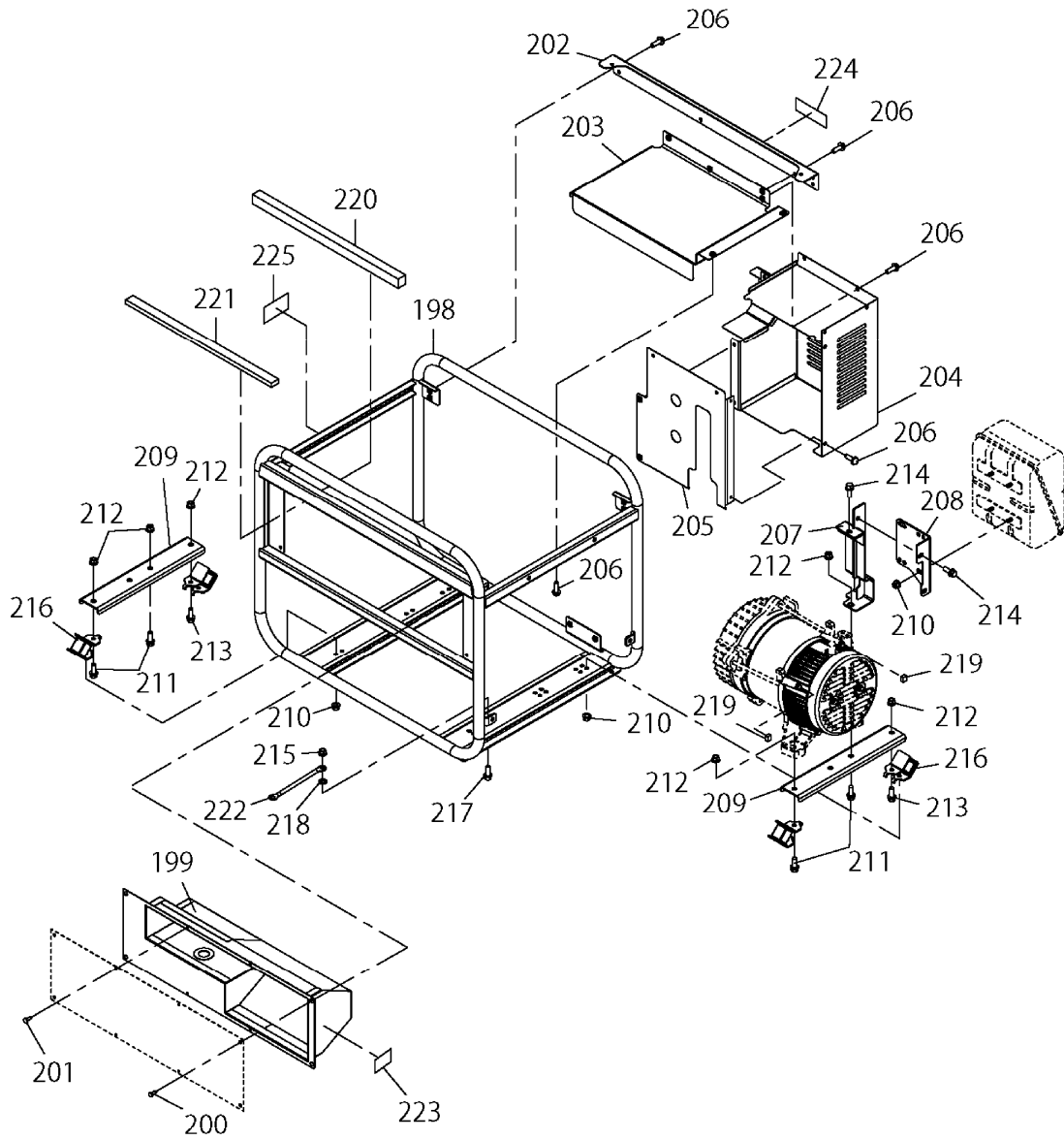
# SERVICE DRAWING

MODEL NO. EG601A



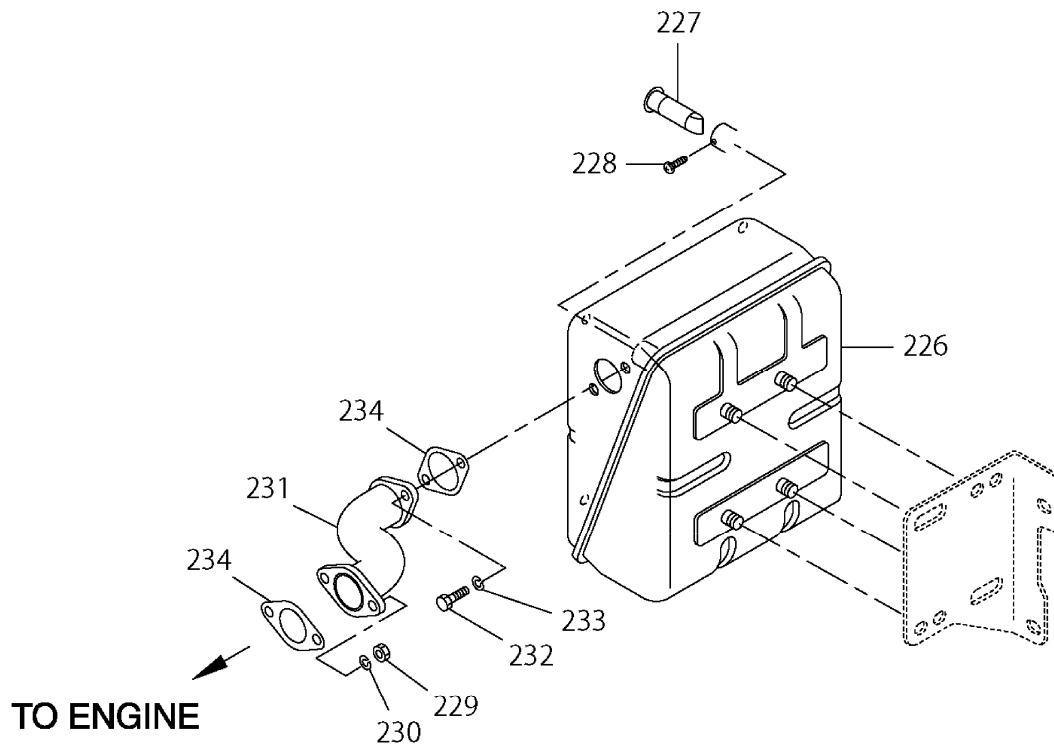
# SERVICE DRAWING

MODEL NO. EG601A



# SERVICE DRAWING

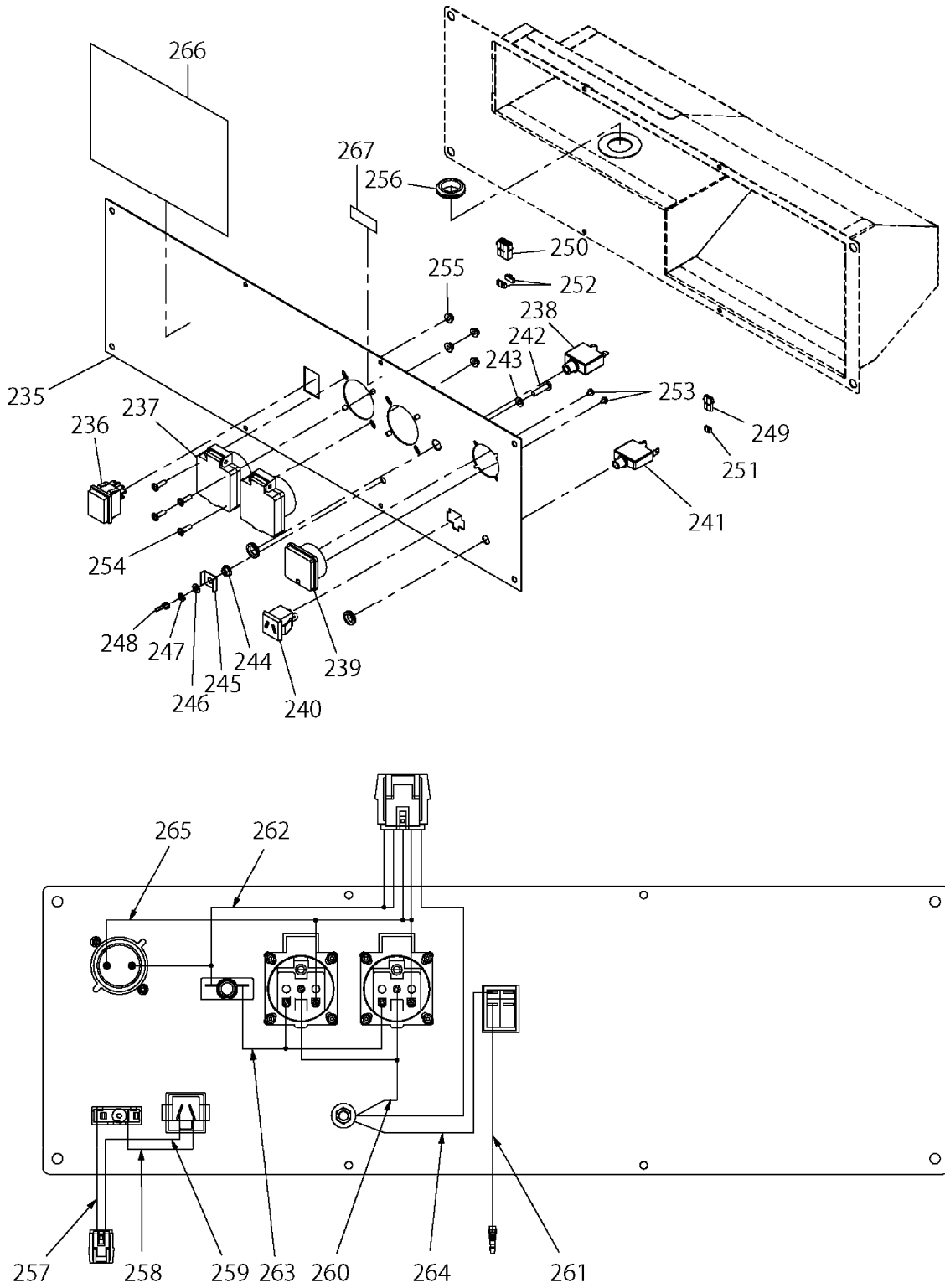
MODEL NO. EG601A





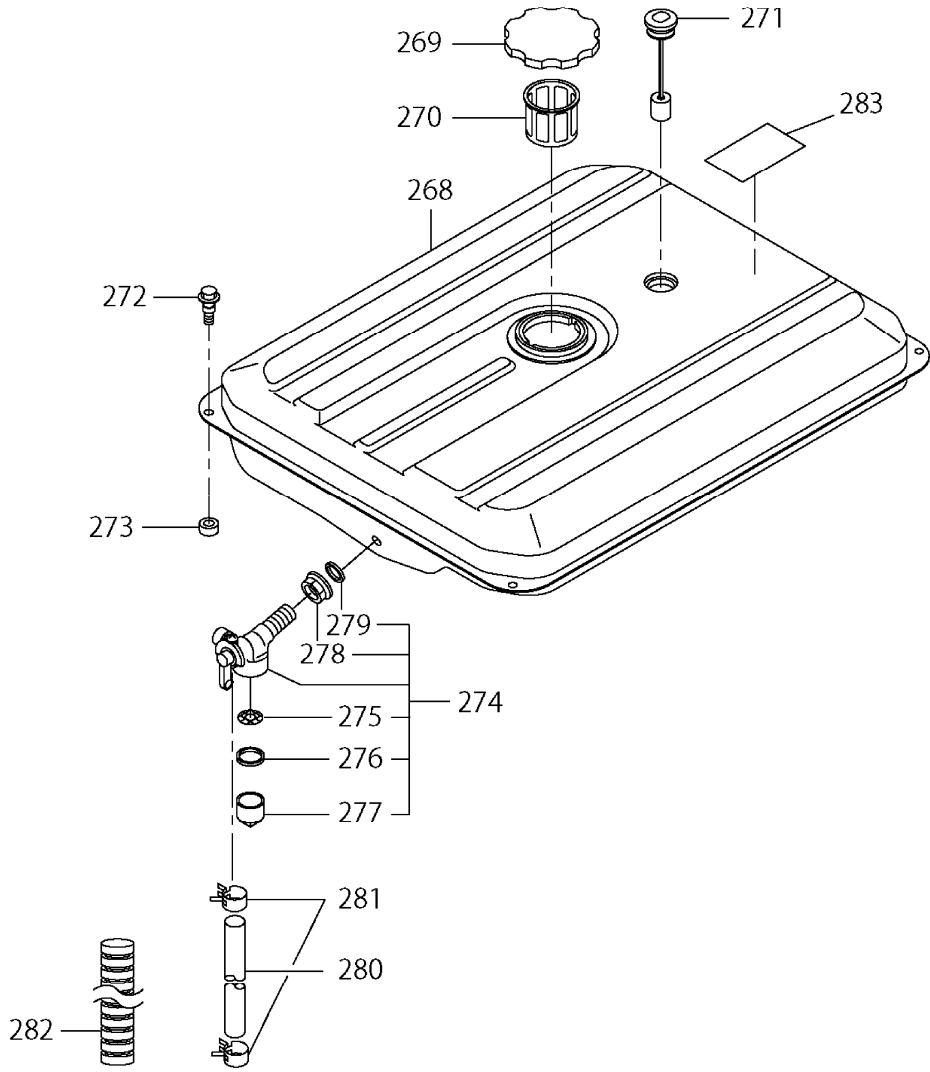
# SERVICE DRAWING

MODEL NO. EG601A



# SERVICE DRAWING

MODEL NO. EG601A



# SERVICE DRAWING

MODEL NO. EG601A

