

SPARE PARTS LIST

MODEL NO. EM3400U

ITEM	PART NO.	DESCRIPTION	QTY	NOTE
001	143046-4	HANDLE COMPLETE INC. 2	1	
002	273526-7	GRIP 18	1	
004	332123-9	HANDLE 19	1	
005	922256-4	HEX. SOCKET HEAD BOLT M5X35	1	
006	126504-5	CONTROL LEVER ASS'Y INC. 81-95	1	
008	922241-7	HEX. SOCKET HEAD BOLT M5X25	4	
009	318272-6	HANDLE HOLDER 1	1	
010	318669-9	HANDLE HOLDER 2	1	
011	318670-4	HANDLE HOLDER 3	1	
012	922341-3	HEX. SOCKET HEAD BOLT M6X25	2	
013	125558-9	HANGER ASSEMBLY INC. 14	1	
014	922232-8	HEX. SOCKET HEAD BOLT M5X20	1	
015	168613-4	CUSHION	1	
017	801D19-4	SERIAL NO. LABEL	1	
018	805C75-0	CAUTION LABEL	1	
019	819312-8	MAKITA LOGO LABEL	1	
020	142837-0	SHAFT PIPE COMPLETE	1	
021	443146-3	FELT RING 8	1	
022	325675-7	SHAFT	1	
023	266617-1	CROSS-RECESSED HEAD BOLT M6X23	2	
024	346841-3	PROTECTOR CLAMP	1	
025	911263-2	PAN HEAD SCREW M5X40	2	
026	264035-7	HEX. NUT M5	2	
027	451878-8	PROTECTOR	1	
028	140424-9	PROTECTOR COMPLETE INC. 29,30	1	
029	346262-9	CUTTER	1	
030	266574-3	TAPPING SCREW 5X25	1	
050	922213-2	H.S.H.BOLT M5X12 WITH WR	2	
051	126506-1	GEAR CASE ASSYMBLY INC. 52-68	1	
052	KC00000014	HEX BOLT M6X8	1	
053	KC00000009	BALL BEARING 629	1	
054	KC00000008	PLATE	1	
055	KC00000012	BALL BEARING 6201DDU	1	
056	KC00000005	RETAINING RING R-32	1	
057	KC00000003	GUARD	1	
058	KC00000007	P.H.SCREW M4X20 WITH W	3	
059	KC00000013	RECEIVE WASHER	1	
060	KC00000004	CLAMP WASHER	1	
061	168526-9	CUP	1	
062	KC00000016	HEX NUT M10	1	
063	KC00000015	HEX. SOCKET HEAD BOLT M6X30 WR	1	
064	KC00000017	CUTTER SHAFT SET	1	
065	KC00000011	BALL BEARING 6000	1	
066	KC00000010	BALL BEARING 6000Z	1	
067	KC00000006	RETAINING RING S-10	1	
068	257988-7	RETAINING RING (INT) R-26	1	
081	183A10-9	LEVER CASE SET INC. 93	1	
082	233540-5	TORSION SPRING 11	1	
083	451084-5	THROTTLE LEVER	1	
084	233541-3	TORSION SPRING 7	1	
085	451083-7	LOCK OFF LEVER	1	
086	456084-0	CORRUGATE TUBE	1	
087	168867-3	CONTROL CABLE	1	
088	451081-1	CABLE HOLDER	1	
089	451500-7	SWITCH LEVER	1	

SPARE PARTS LIST

MODEL NO. EM3400U

ITEM	PART NO.	DESCRIPTION	QTY	NOTE
090	232251-9	LEAF SPRING	1	
091	455723-9	SWITCH COVER	1	
092	638706-6	LEAD UNIT	1	
093	183A10-9	LEVER CASE SET INC. 81	1	
094	266326-2	TAPPING SCREW 4X18	3	
095	638705-8	LEAD UNIT	1	
101	911218-7	PAN HEAD SCREW M5X14	1	
102	632D74-3	LEAD UNIT	1	
103	345963-6	CLAMP	1	
104	455371-4	CYLINDER COVER	1	
105	911218-7	PAN HEAD SCREW M5X14	1	
106	126418-8	IGNITION COIL ASSEMBLY INC. 107-109	1	
107	ZG00000001	WIRE	1	
108	ZG00000002	CAP,PLUG	1	
109	ZG00000003	SPRING,PLUG CAP	1	
111	922138-0	H.S.H.BOLT M4X20 WITH WR	2	
112	452049-0	SPACER	2	
113	266917-9	HEX. SOCKET HEAD BOLT M5X55	2	
114	165754-7	EXHAUST MUFFLER	1	
115	346829-3	MUFFLER GASKET	1	
116	442208-4	CYLINDER GASKET	1	
117	319133-3	CYLINDER	1	
118	922231-0	HEX. SOCKET HEAD BOLT M5X20	4	
119	442210-7	INSULATOR GASKET	1	
120	455378-0	INSULATOR	1	
121	922243-3	HEX. SOCKET HEAD BOLT M5X25	2	
122	168648-5	SPARK PLUG (BPMR7A)	1	
123	424491-5	GROMMET	1	
124	424656-9	PLUG CAP COVER	1	
125	442177-9	GASKET AIR CLEANER	1	
126	346591-0	CARBURETOR PLATE	1	
127	442177-9	GASKET AIR CLEANER	1	
128	168864-9	CARBURETOR INC. 211,213-216,218-235	1	
129	0043105550	SCREW M5X55	2	
130	455377-2	AIR CLEANER COVER	1	
131	911138-5	PAN HEAD SCREW M4X20	1	
132	126502-9	AIR CLEANER PLATE ASSEMBLY INC. 133-139	1	
133	443194-2	AIR CLEANER ELEMENT	1	
134	ZH00000001	TAPPING SCREW CT 4X12	1	
135	455374-8	CHOKE PLATE	1	
136	ZH00000001	TAPPING SCREW CT 4X12	1	
137	455376-4	AIR CLEANER CHECK PLATE	1	
138	455373-0	AIR CLEANER PLATE	1	
139	455375-6	CHOKE LEVER	1	
140	126501-1	RECOIL STARTER ASSEMBLY INC. 141,142,144-150	1	
141	JL03007287	PLATE	1	
142	JL03007280	STARTER KNOB	1	
144	JL03007281	STARTER CASE COMPLETE	1	
145	JL12650113	NUT	2	
146	JL03007284	STARTER ROPE	1	
147	JL03007282	SPIRAL SPRING	1	
148	JL03007283	REEL	1	
149	JL03007285	WASHER	1	
150	JL03007286	TAPPING SCREW	1	
151	168863-1	PULLEY	1	
152	424657-7	DAMPER	1	

SPARE PARTS LIST

MODEL NO. EM3400U

ITEM	PART NO.	DESCRIPTION	QTY	NOTE
153	850G87-2	SERIAL NO. LABEL	1	
154	911243-8	PAN HEAD SCREW M5X25	4	
155	922233-6	HEX SOCKET HEAD BOLT M5X20	4	
156	143321-8	CLUTCH CASE COMPLETE	1	
158	451157-4	SPACER	1	
159	961057-5	RETAINING RING S-17	1	
160	210126-2	BALL BEARING 6003LLU	1	
161	962153-2	RETAINING RING R-35	1	
162	165577-3	CLUTCH DRUM	1	
163	455370-6	TANK GUARD	1	
164	922223-9	H.S.H.BOLT M5X16 WITH WR	4	
165	266571-9	SHOULDER HEX. BOLT M8X23	2	
166	267849-3	WAVE WASHER 10	2	
167	125757-3	CLUTCH ASSEMBLY	1	
168	253762-1	FLAT WASHER 8	2	
170	266596-3	HEX. HEAD BOLT M6X16 WITH W	1	
171	267427-9	FLAT WASHER 7	1	
172	319137-5	FLYWHEEL	1	
173	922233-6	HEX SOCKET HEAD BOLT M5X20	3	
174	318453-2	PIPE RETAINER	1	
175	318454-0	PIPE BRACKET	1	
176	424204-4	DAMPER	1	
177	961151-3	RETAINING RING S-32	1	
178	424103-0	PLATE	1	
179	424102-2	PLATE	1	
180	163447-0	GASOLINE FILTER	1	
181	345920-4	HOSE CLAMP	1	
182	126503-7	TUBE ASSEMBLY	1	
183	168668-9	FUEL TANK CAP COMPLETE INC. 184,185	1	
184	452920-8	FUEL TANK CAP	1	
185	140436-2	STRAP COMPLETE	1	
186	455379-8	FUEL TANK	1	
187	257359-8	PISTON RING	2	
189	319136-7	PISTON	1	
191	268337-3	PISTON PIN 8	1	
192	233976-8	CLIP	2	
193	212702-8	NEEDLE CAGE 810	1	
194	254040-2	WOODRUFF KEY 3	1	
195	142542-9	CRANKSHAFT COMPLETE	1	
196	135647-2	CRANK CASE ASS'Y INC. 197,198,200-203	1	
197	922253-0	H.S.H.BOLT M5X30 WITH WR	4	
198	213628-7	OIL SEAL	1	
200	210113-1	BALL BEARING 6001	1	
201	210113-1	BALL BEARING 6001	1	
202	442209-2	CRANK CASE GASKET	1	
203	213628-7	OIL SEAL	1	
204	424446-0	DAMPER	2	
205	455372-2	GUARD	1	
206	922213-2	H.S.H.BOLT M5X12 WITH WR	1	
207	805C68-7	EM3400U MODEL NO. LABEL	1	
208	805C80-7	MAKITA LOGO LABEL	1	
209	922341-3	HEX. SOCKET HEAD BOLT M6X25	1	
211	266704-6	PAN HEAD SCREW M3X10	2	
213	346588-9	BRACKET,CABLE	1	
214	325922-6	SWIVEL	1	
215	413140-9	WASHER	1	
216	257964-1	STOP RING E-3	1	
218	424444-4	PACKING RING	1	
219	WJ00016104	O RING	1	

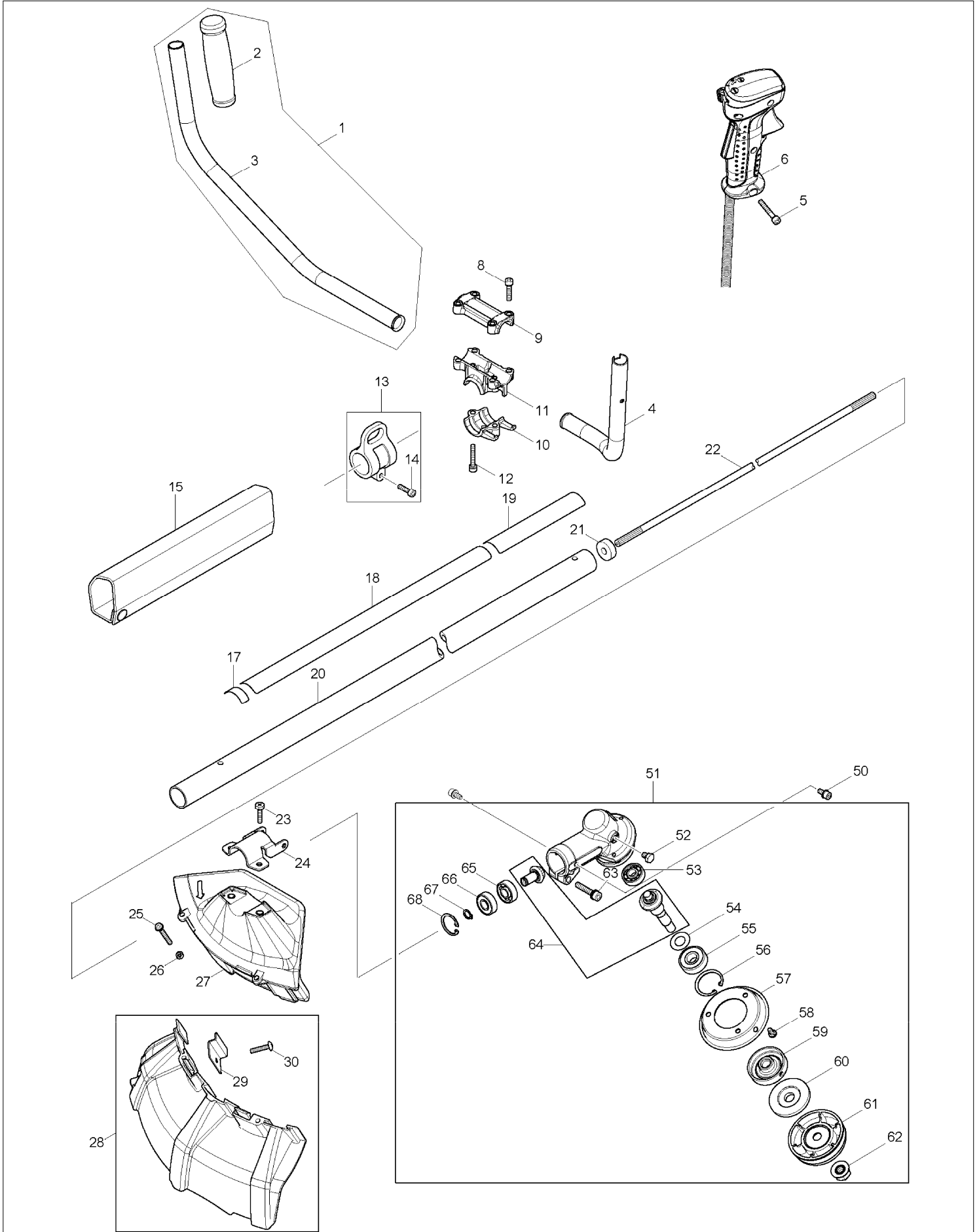
SPARE PARTS LIST

MODEL NO. EM3400U

ITEM	PART NO.	DESCRIPTION	QTY	NOTE
220	WJ00112288	JET	1	
221	442155-9	PUMP GASKET	1	
222	168575-6	PUMP DIAPHRAGM	1	
223	140989-1	PUMP BODY ASSEMBLY	1	
224	352010-6	INLET SCREEN	1	
225	442154-1	METERING DIAPHRAGM GASKET	1	
226	168620-7	METERING DIAPHRAGM	1	
227	140988-3	AIR PURGE BODY ASSEMBLY	1	
228	424314-7	PRIMER PUMP	1	
229	346270-0	PRIMER PUMP COVER	1	
230	266582-4	TAPPING SCREW 3X24	4	
231	WJ00096424	SCREW	1	
232	WJ00014477	PIN-METERING LEVER	1	
233	WJ00016648	LEVER	1	
234	WJ00008282	VALVE-INLET NEEDLE	1	
235	WJ00983160	SPRING	1	
A01	125802-4	BAND ASSEMBLY	1	
A02	161342-8	CUTTER ASSEMBLY 124	1	
A03	196895-8	CUTTER BLADE SET	1	
A04	450573-7	TOOL COVER	2	
A05	782235-2	WRENCH 17-19	1	
A06	783223-2	HEX. WRENCH 4	1	
A07	831304-7	ACCESSORY BAG	1	
A10	452193-3	CLAMP	1	

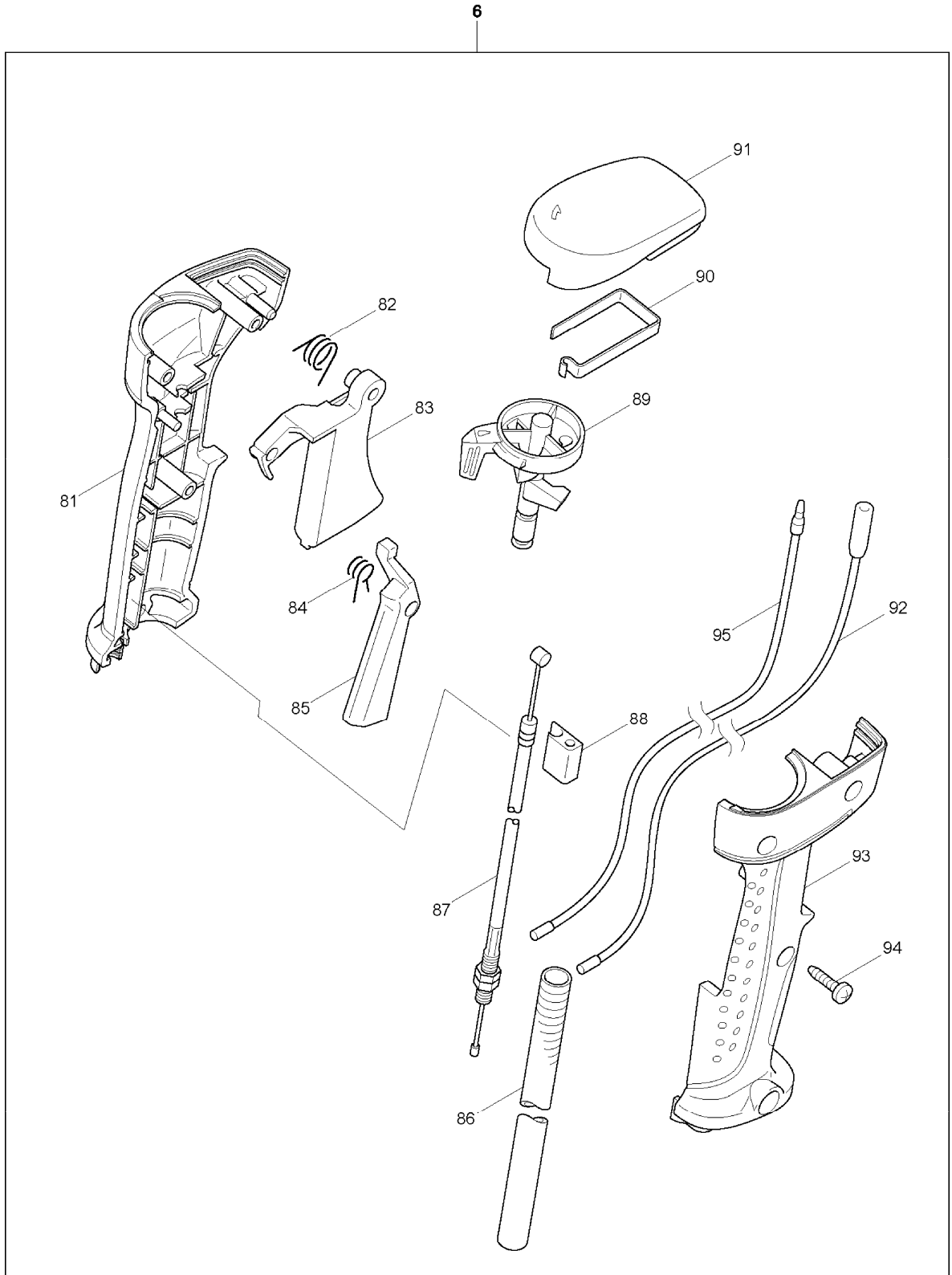
SERVICE DRAWING

MODEL NO. EM3400U



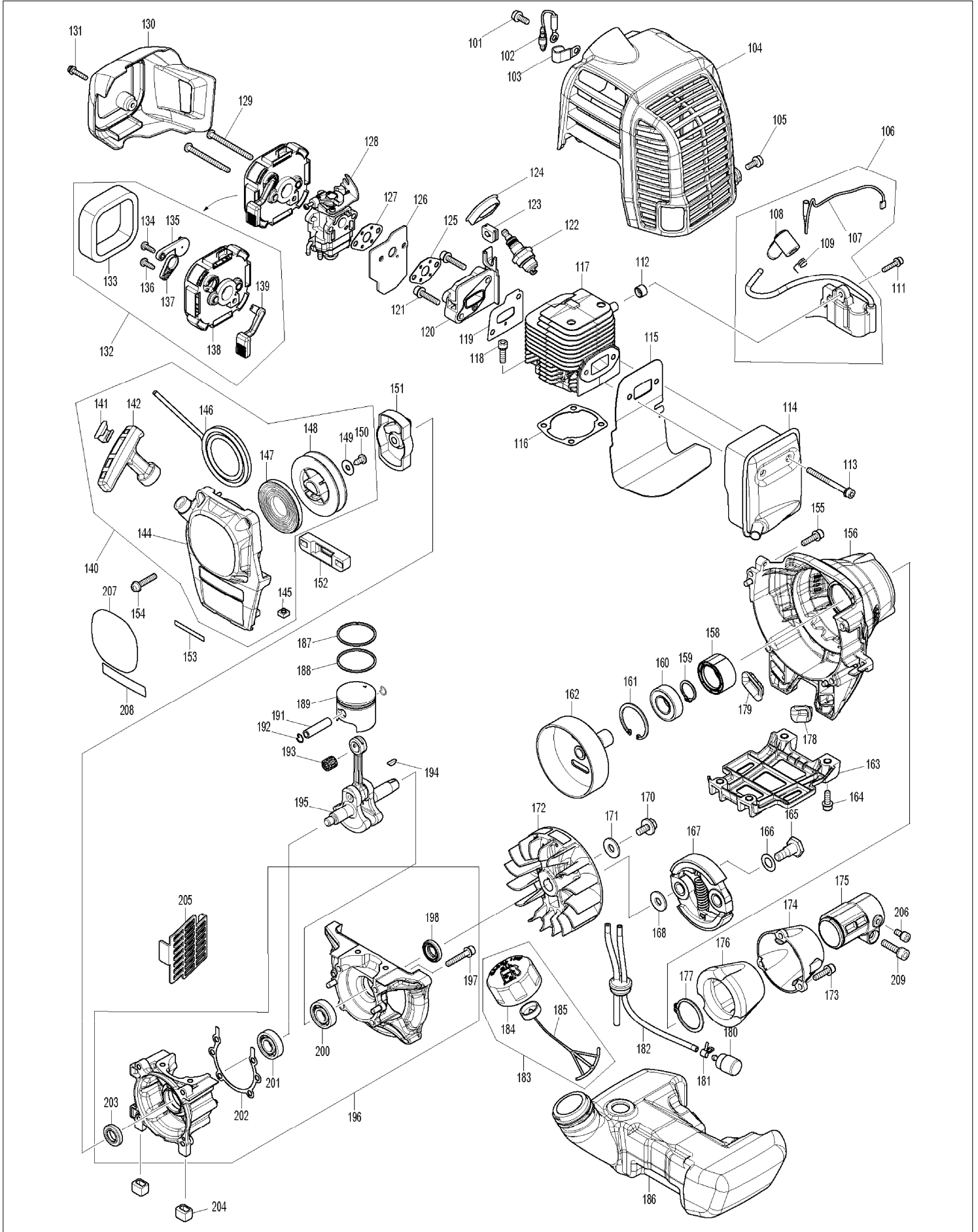
SERVICE DRAWING

MODEL NO. EM3400U



SERVICE DRAWING

MODEL NO. EM3400U



SERVICE DRAWING

MODEL NO. EM3400U

128

