

# SPARE PARTS LIST

MODEL NO. LS0714FL

ITEM	PART NO.	DESCRIPTION	QTY	NOTE
001	911228-4	PAN HEAD SCREW M5X18	1	
002	267136-0	FLAT WASHER 5	1	
003	453299-0	SAFETY COVER	1	
004	265008-3	+ FLAT HEAD SCREW M5	1	
005	266733-9	HEX. S.F.H. BOLT M6X16	1	
006	224370-5	INNER FLANGE 40	1	
007	285715-2	BEARING RETAINER 55	1	
008	323798-5	SPINDLE	1	
009	211129-9	BALL BEARING 6201DDW	1	
010	317037-3	BEARING BOX	1	
011	213565-5	O RING 42	1	
012	257010-0	RING 12	1	
013	226497-7	HELICAL GEAR 47	1	
014	211021-9	BALL BEARING 607LLB	1	
015	263005-3	RUBBER PIN 6	1	
016	188245-1	BLADE CASE INC. 15,34,75	1	
017	231934-8	SPIRAL SPRING 26	1	
018	345589-4	CENTER WASHER	1	
019	266732-1	HEX. SOCKET HEAD BOLT M6X16	1	
020	344641-5	CENTER COVER	1	
021	345585-2	CENTER PLATE	1	
022	224275-9	OUTER FLANGE 40	1	
023	911223-4	PAN HEAD SCREW M5X16	2	
024	922331-6	HEX. SOCKET HEAD BOLT M6X20	1	
025	253804-1	FLAT WASHER 6	1	
026	257163-5	RING 6	1	
027	154643-1	LINK PLATE COMPLETE	1	
028	257163-5	RING 6	1	
029	253804-1	FLAT WASHER 6	1	
030	961018-5	STOP RING E-5	1	
031	266061-2	TAPPING SCREW BIND CT 4X8	1	
032	213460-9	O RING 35	1	
033	419277-0	DUST NOZZLE	1	
034	819197-2	MAKITA LOGO LABEL	1	
035	266757-5	HEX. SOCKET HEAD BOLT M6X16	1	
036	262001-8	URETHANE RING 5	1	
037	265717-4	SCREW M6X43	1	
038	165414-1	GUARD PLATE COMPLETE	1	
039	911113-1	PAN HEAD SCREW M4X10	1	
040	421626-9	GUARD	1	
041	266026-4	TAPPING SCREW BIND CT 4X12	1	
042	418109-8	LEAD COVER A	1	
043	418111-1	LEAD COVER HOLDER	1	
044	418110-3	LEAD COVER B	1	
045	418104-8	LENS	1	
046	804293-9	LASER LABEL	1	
047	266306-8	SHOULDER SCREW M5	1	
048	266229-0	H.S.SET SCREW(CUP POINT)M5X8	2	
049	419379-2	BLOCK C	1	
050	266318-1	H.S.SET SCREW(FLAT POINT)M4X6	1	
051	231664-1	TORSION SPRING 9	1	
052	911003-8	PAN HEAD SCREW M3X6	1	
053	419378-4	BLOCK B	1	
054	911003-8	PAN HEAD SCREW M3X6	1	
055	231664-1	TORSION SPRING 9	1	
056	266318-1	H.S.SET SCREW(FLAT POINT)M4X6	1	
057	638442-4	LASER CIRCUIT COMPLETE	1	
058	419380-7	TOP COVER	1	
059	253807-5	FLAT WASHER 5	1	
060	265753-0	THUMB SCREW M5X24	1	

# SPARE PARTS LIST

MODEL NO. LS0714FL

ITEM	PART NO.	DESCRIPTION	QTY	NOTE
061	266042-6	TAPPING SCREW BIND CT 4X20	2	
062	324455-8	LOCK PIN	1	
063	418655-1	ROD HOLDER	1	
064	266034-5	TAPPING SCREW CT 4X16	2	
065	231316-4	COMPRESSION SPRING 7	1	
066	324456-6	ROD 8	1	
067	421589-9	CAP	1	
068	345807-0	LOCK LEVER	1	
069	911113-1	PAN HEAD SCREW M4X10	2	
070	345436-9	LOCK PLATE	1	
071	911113-1	PAN HEAD SCREW M4X10	2	
072	266046-8	TAPPING SCREW 5X50	2	
073	263002-9	RUBBER PIN 4	1	
074	211101-1	BALL BEARING 6001LLB	1	
075	263002-9	RUBBER PIN 4	1	
076	233092-6	COMPRESSION SPRING 5	1	
077	344642-3	SHAFT LOCK	1	
078	240030-1	FAN 70	1	
079	510061-7	ARMATURE ASS'Y 220V INC. 74,78,80,81	1	
080	681644-1	INSULATION WASHER	1	
081	211031-6	BALL BEARING 608LLB	1	
082	261110-0	URETHANE WASHER 18	1	
083	416537-1	BAFFLE PLATE	1	
084	634558-3	FIELD 220V	1	
085	638360-6	SUPPORT COMPLETE	1	
086	188118-8	HANDLE SET INC. 109	1	
087	665870-0	POWER SUPPLY CORD 1.0-2-3.3	1	
088	682540-6	CORD GUARD 9.3-90	1	
089	687124-5	STRAIN RELIEF	1	
090	265995-6	TAPPING SCREW 4X18	2	
091	151900-8	MOTOR HOUSING COMPLETE INC. 73	1	
092	416538-9	UPPER COVER	1	
093	911273-9	PAN HEAD SCREW M5X50	3	
094	191963-2	CARBON BRUSH CB-303	1	
095	643750-0	BRUSH HOLDER CAP 7-11	2	
096	862823-2	NAME PLATE LS0714FL	1	
097	651922-3	SWITCH TG71B	1	
098	645105-5	NOISE SUPPRESSOR	1	
099	416534-7	SWITCH LEVER	1	
100	631608-5	POWER SUPPLY CIRCUIT	1	
101	654532-5	TERMINAL BLOCK 1P	1	
102	256098-7	PIN 5	1	
103	416533-9	LOCK OFF LEVER	1	
104	231026-3	COMPRESSION SPRING 4	1	
105	911273-9	PAN HEAD SCREW M5X50	3	
106	651522-9	SWITCH SLE6A	1	
107	411478-6	SWITCH BUTTON	1	
108	153523-8	SWITCH BOX COMPLETE	1	
109	188118-8	HANDLE SET INC. 86	1	
110	265995-6	TAPPING SCREW 4X18	5	
111	638068-2	LEAD UNIT	1	
112	125222-2	LIGHT ASS'Y	1	
113	266048-4	TAPPING SCREW 4X40	2	
114	319191-9	GUIDE FENCE	1	
115	922344-7	H.S.H.BOLT M6X25 WITH WG	3	
116	251887-5	SCREW M6X10	1	
117	416535-5	SLEEVE 17	1	

# SPARE PARTS LIST

MODEL NO. LS0714FL

ITEM	PART NO.	DESCRIPTION	QTY	NOTE
118	231638-2	TORSION SPRING 28	1	
119	416535-5	SLEEVE 17	1	
120	251897-2	SCREW M6X33	1	
121	231325-3	COMPRESSION SPRING 6	1	
122	257214-4	RING 26	1	
123	317617-5	PIPE HOLDER	1	
124	266208-8	H.S.SET SCREW(CUP POINT)M6X8	2	
125	687042-7	STRAIN RELIEF	1	
126	266026-4	TAPPING SCREW BIND CT 4X12	1	
127	687045-1	STRAIN RELIEF	1	
128	266026-4	TAPPING SCREW BIND CT 4X12	1	
129	911113-1	PAN HEAD SCREW M4X10	1	
130	416006-2	LEVER 100	1	
131	913106-4	SET SCREW M4X8	1	
132	252144-4	HEX. NUT M10-17	1	
133	231266-3	COMPRESSION SPRING 5	1	
134	253024-7	FLAT WASHER 10	1	
135	286236-7	CAP 16	1	
136	153463-0	ARM COMPLETE	1	
137	324295-4	RELEASE PIN	1	
138	266757-5	HEX. SOCKET HEAD BOLT M6X16	2	
139	345299-3	STOPPER PLATE	1	
140	253726-5	FLAT WASHER 6	1	
141	231663-3	TORSION SPRING 8	1	
142	265113-6	+PAN HEAD SCREW M5	1	
143	343678-9	POINTER	1	
144	266026-4	TAPPING SCREW BIND CT 4X12	1	
145	153462-2	FRONT ARM COMPLETE	1	
146	344643-1	STOPPER ARM	1	
147	253948-7	WAVE WASHER 8	1	
148	253835-0	FLAT WASHER 8	1	
149	251267-5	+ PAN HEAD SCREW M6	1	
150	251961-9	H.S.SET SCREW(FLAT POINT)M6X10	1	
151	266321-2	H.S.SET SCREW(FLAT POINT)M6X16	1	
152	271601-3	KNOB 20	1	
153	213021-5	O RING 5	1	
154	324183-5	STOPPER PIN	1	
155	331350-5	PIN 16-90	1	
156	153482-6	ARM HOLDER COMPLETE	1	
157	256100-6	PIN 5	1	
158	266320-4	SCREW M10	1	
159	253024-7	FLAT WASHER 10	1	
160	216413-7	THRUST NEEDLE CAGE 1024	1	
161	253024-7	FLAT WASHER 10	1	
162	252130-5	HEX. LOCK NUT M10-17	1	
163	257214-4	RING 26	1	
164	251897-2	SCREW M6X33	1	
165	252105-4	HEX. LOCK NUT M8-13	1	
166	253731-2	FLAT WASHER 8	1	
167	416355-7	INDICATION PLATE	1	
168	266026-4	TAPPING SCREW BIND CT 4X12	1	
169	266026-4	TAPPING SCREW BIND CT 4X12	2	
170	266026-4	TAPPING SCREW BIND CT 4X12	2	
171	417993-8	KERF BOARD	1	
172	417993-8	KERF BOARD	1	
173	154659-6	TURN BASE COMPLETE	1	
174	922111-0	HEX. SOCKET HEAD BOLT M4X10	1	
175	153580-6	SQUARE ROD COMPLETE	1	
176	925251-3	HEX.BOLT M5X30	2	
177	266034-5	TAPPING SCREW CT 4X16	2	
178	344601-7	LOCK PLATE	1	

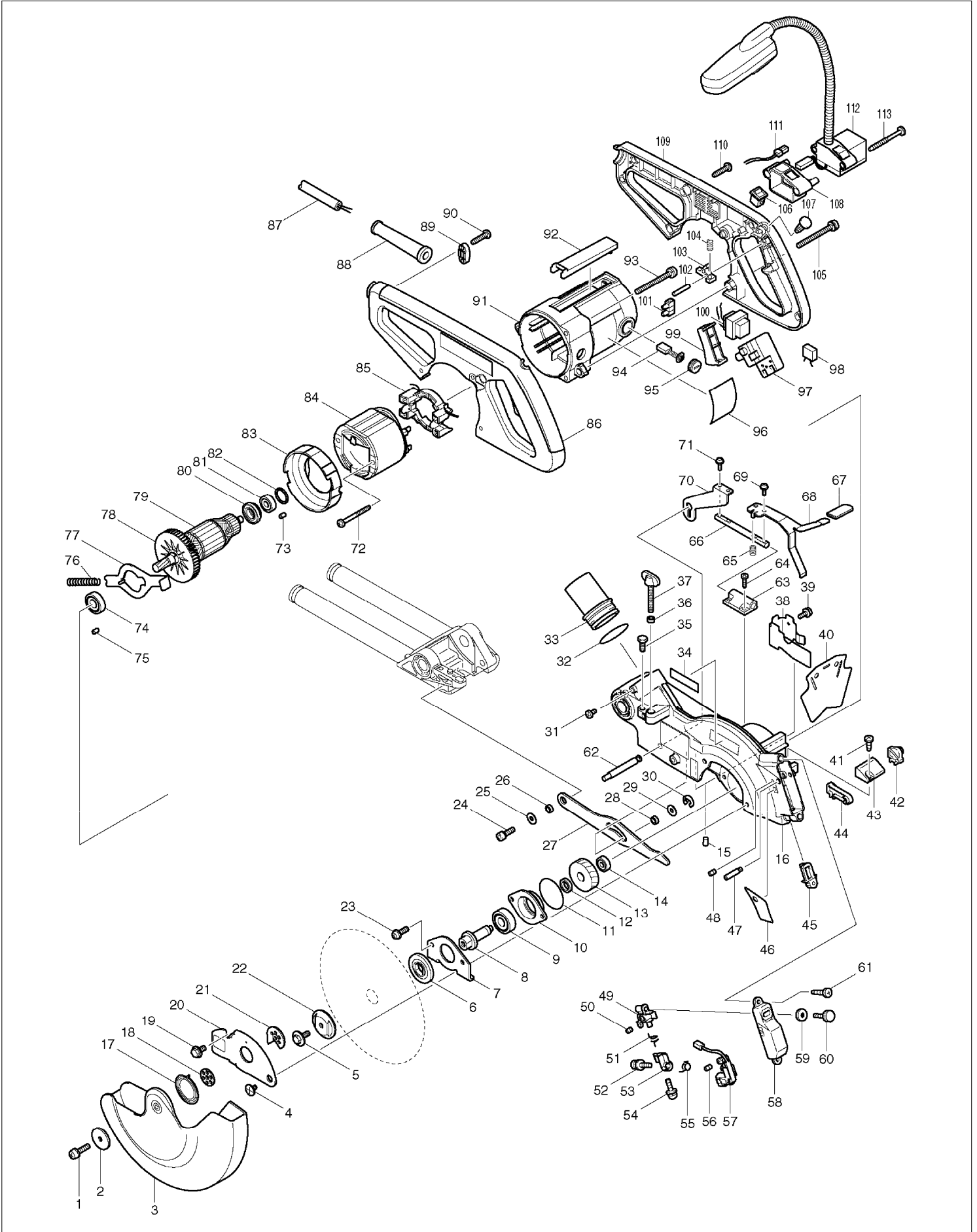
# SPARE PARTS LIST

MODEL NO. LS0714FL

ITEM	PART NO.	DESCRIPTION	QTY	NOTE
179	317616-7	PIN HOLDER	1	
180	256158-5	PIN 3	1	
181	324288-1	LOCK PIN	1	
182	231325-3	COMPRESSION SPRING 6	1	
183	324289-9	ROD 6	1	
184	416450-3	LOCK LEVER	1	
185	345272-3	LOCK LEVER PLATE	1	
186	266034-5	TAPPING SCREW CT 4X16	2	
187	231418-6	COMPRESSION SPRING 9	1	
188	253731-2	FLAT WASHER 8	1	
189	266432-3	ADJUST BOLT M8X27	1	
190	273515-2	GRIP 32	1	
191	286212-1	CAP 20	5	
192	921472-5	HEX. BOLT M8X50	1	
193	251887-5	SCREW M6X10	2	
194	153950-9	BASE COMPLETE	1	
195	344646-5	SLIDE PLATE	1	
196	344646-5	SLIDE PLATE	1	
197	231690-0	TORSION SPRING 8	1	
198	911114-9	PAN HEAD SCREW M4X10	1	
199	346550-4	GUARD	1	
200	687042-7	STRAIN RELIEF	1	
201	266026-4	TAPPING SCREW BIND CT 4X12	1	
202	931302-2	HEX. NUT M6	2	
203	168429-7	STAY	1	
A01	122852-0	DUST BAG ASS'Y	1	
A02	122571-8	VICE ASS'Y	1	
A03	411478-6	SWITCH BUTTON	2	
A04	762001-3	TRIANGULAR RULE	1	
A05	322312-4	HOLDER	2	
A06	B-04298	TCT SAW BLADE 190X20X24T	1	
A07	783203-8	HEX. WRENCH 5	1	
A08	783208-8	HEX. WRENCH 2.5	1	
E03	345809-6	SUB LEVER	1	
E04	911113-1	PAN HEAD SCREW M4X10	2	
E05	233471-8	COMPRESSION SPRING 6	1	
E06	135511-7	GUARD ASS'Y INC. 38,40,197,198,199	1	
E07	142810-0	SUB FENCE COMPLETE	1	
E08	252014-7	HEX. LOCK NUT M6-10	1	
E09	266061-2	TAPPING SCREW BIND CT 4X8	1	
E10	345359-1	SUB FENCE PLATE	1	
E11	912357-6	COUNTERSUNK HEAD SCREW M6X35	1	
E12	253804-1	FLAT WASHER 6	1	

# SERVICE DRAWING

MODEL NO. LS0714FL



# SERVICE DRAWING

MODEL NO. LS0714FL

