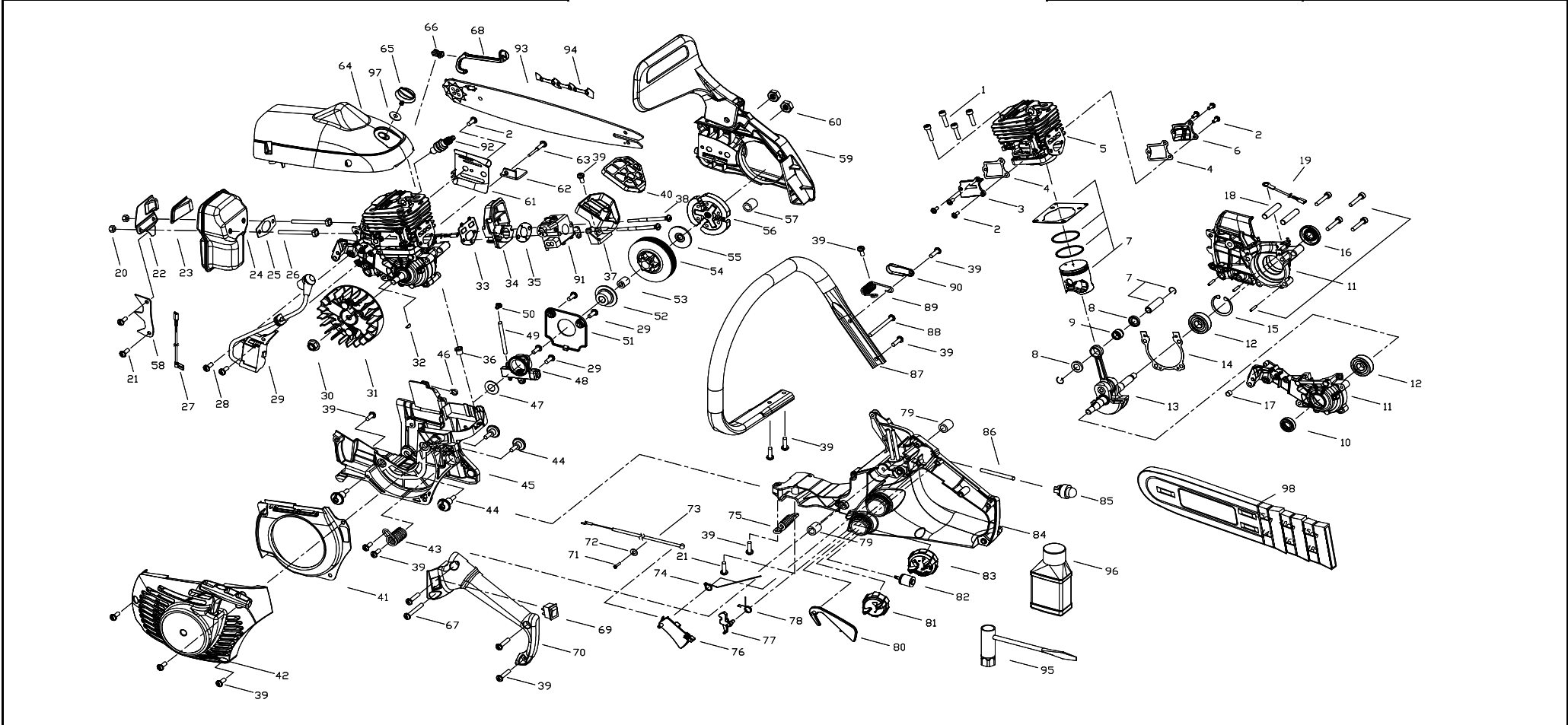




SERVICE SPARE PARTS LIST

SPECIFY MODEL NO. WHEN ORDERING PARTS	
40cc Gas Chain Saw	
MODEL NO.	341

DATE	REVISED DATE
22.11.2007	22.11.2007
	V2





SERVICE SPARE PARTS LIST

SPECIFY MODEL NO. WHEN ORDERING PARTS					DATE			REVISED DATE	
40cc Gas Chain Saw					22.11.2007			22.11.2007	
MODEL NO.		341						V2	
No.	STK CODE	Parts No.	Description	Q	No.	STK CODE	Parts No.	Description	Q
1	C	9SGEB-05-20	SCREW	4	50	C	9154-310802	CONNECTOR	1
2	C	9SKKB-04-10	SCREW	7	51	C	9072-310806	CAP, ANTI-DUST	1
3	C	9067-310802	CAP	1	52	C	9073-310803	WORM	1
4	C	9014-310803	GASKET	2	53	C	9NR-K101313	ROLLER	1
5	C	9292-31080F自	CYLINDER	1	54	B	9200-311201	DRUM ASSY	1
6	C	9067-310801	CAP	1	55	C	9014-310807	WASHER	1
7	B	9228-310839	PISTON ASS'Y	1	56	B	9228-311004	CLUTCH ASSY	1
8	C	9131-310801	WASHER	2	57	B	9013-311002	RUBBER PLUG	1
9	B	9NR-K101411	ROLLER	1	58	C	9227-310801	SPIKE	1
10	C	9157-332101	SEAL	1	59	B	9228-311001	BRAKE KIT ASS'Y	1
11	B	9228-310819自	CLY CASE ASS'Y	1	58	C	9NAZ-5/16-18	NUT	2
12	C	9DB-620101	BEARING	2	61	C	9014-310811	SPACER	1
13	C	9228-310801-A	CRANK/ROD ASS'Y	1	62	C	9263-310801	CHAIN CATCH	1
14	B	9014-310802	GASKET	1	63	C	9SKKB-05-32	SCREW	1
15	C	9CB-32	RING	1	64	C	9067-311001	SHROUD	1
16	B	9157-310801	SEAL	1	65	B	9134-310801	KNOB	1
17	B	9059-311001	BUSH	1	66	B	9072-311001	HOLDER, CHOKE LEVER	1
18	B	9191-310802	SCREW	2	67	C	9SKKB05-27	SCREW	1
19	B	9010-311002	WIRE	1	68	B	9114-311001	LEVER, CHOKE	1
20	A	9NCC-05U	NUT	2	69	B	9022-310701	SWITCH	1
21	B	9SKKB-05-14	SCREW	3	70	C	9068-311002	HANDLE ASSY (L)	1
22	A	9014-310810	COVER, MESH	1	71	C	9SKKB04-10	SCREW	1
23	A	9016-310801	SPARK ARRESTER	1	72	C	9WFZ-04-12	WASHER	1
24	B	9228-311005T	MUFFLER ASS'Y	1	73	B	9010-311001	CABLE, THROTTLE	1
25	A	9014-310804	BAFFLE	1	74	B	9024-311005	SPRING, TRIGGER	1
26	B	9191-310803	SCREW	2	75	B	9024-310803	SPRING	1
27	B	9010-311003	WIRE	1	76	B	9028-311001	TRIGGER, THROTTLE	1
28	C	9SKKB-04-14	SCREW	6	77	B	9028-311002	TRIGGER, THROTTLE	1
29	B	9288-310801	IGNITION ASS'Y	1	78	B	9024-311003	SPRING	1
30	C	9NHC-08	NUT	1	79	B	9013-311001	RUBBER PLUG	2
31	C	9169-310801	FLYWHEEL ASSY	1	80	B	9028-310801	TRIGGER, RELEASE	1
32	C	6221-830301	WOODRUFF KEY	1	81	C	9228-310809	OIL CAP ASS'Y	1
33	B	9014-310805	SPACER	1	82	B	9182-310101	FUEL FILTER	1
34	B	9082-311001	ISOLATER, CARBURETER	1	83	C	9228-310817	FUEL CAP ASS'Y	1
35	B	9014-310806	SPACER	1	84	C	9228-311003	HANDLE ASSY (R)	1
36	B	9013-311003	RUBBER PLUG	1	85	B	9142-310002	PRIMER	1
37	B	9228-311006	AIR GUIDE ASS'Y	1	86	B	9129-311002	PIPE	1
38	B	9SKKB-04-70	SCREW	2	87	C	9068-311001-A	HANDLE, FRONT	1
39	B	9SKKB05-18	SCREW	16	88	C	9SKKB05-32	SCREW	1
40	A	9183-311201	SPONGE	1	89	C	9024-311002	SPRING	1
41	C	9211-311001	CAP, AIRWAY	1	90	B	9043-311002	CAP, SPRING	1
42	B	9228-311101	STARTER HOUSING ASS'Y	1	91	A	9287-311001	CARBURETER WT-808A	1
43	C	9024-311001	SPRING	1	92	A	9295-310501	SPARK PLUG CHAMPION RZ7C	1
44	C	9191-311001	SCREW	4	93	B	9040-310843F	BAR	1
45	B	9004-311001	BRACKET	1	94	A	6220-210813	CHAIN	1
46	C	9079-311002	BUSH	1	95	A	9042-310201	SPANNER	1
47	C	9WFB-10-18	SPACER	1	96	C	9066-310101	OIL	1
48	B	9228-310805	PUMP ASS'Y	1	97	C	9014-311003	SPACER	1
49	C	9129-311005	PIPE	1	98		9101-310802	SCABBARD	1

Stocking Codes are:

A - Dealer stocked

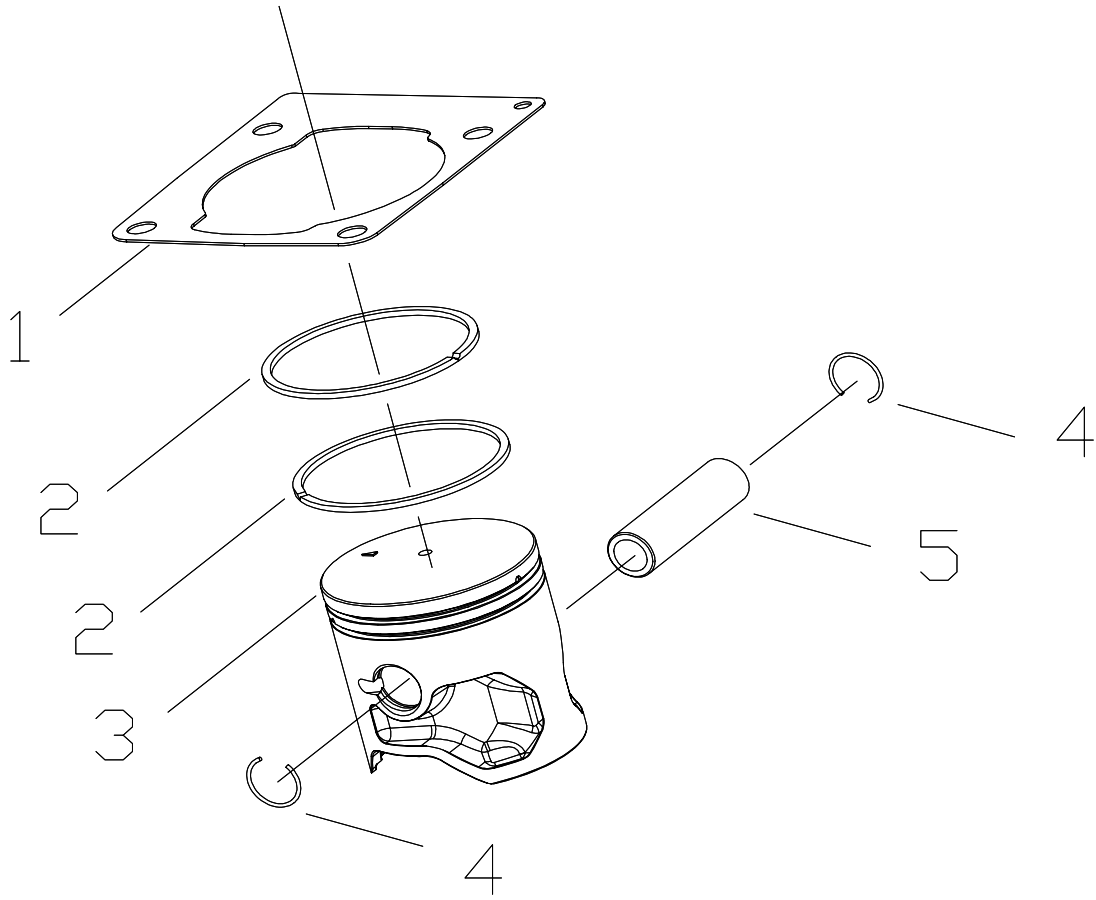
B - Distributor stocked

C - Factory stocked



SERVICE SPARE PARTS LIST

SPECIFY MODEL NO. WHEN ORDERING PARTS		DATE	REVISED DATE
PISTON ASS'Y		22.11.2007	22.11.2007
MODEL NO.	9228-310839		V2



No.	STK CODE	Parts No.	Description	Q	No.	STK CODE	Parts No.	Description	Q
1	C	9014-310801	GASKET	1	4	B	9CA-10.3	RING	2
2	B	9189-310801-A	PISTON RING	2	5	B	9PC-10-35-A	PIN, PISTON	1
3	B	9290-310801-A	PISTON	1					

Stocking Codes are:

A - Dealer stocked

B - Distributor stocked

C - Factory stocked