

SPARE PARTS LIST

MODEL NO. 2704

ITEM	PART NO.	DESCRIPTION	QTY	NOTE
001	122738-8	SAFETY GUARD ASS'Y INC. 2-16	1	
002	268135-5	SHOULDER PIN 10	1	
003	253758-2	FLAT WASHER 10	1	
004	418910-1	SUB COVER	1	
005	418915-1	COVER	1	
006	817283-3	CAUTION LABEL	1	
007	253758-2	FLAT WASHER 10	1	
008	961015-1	STOP RING E-9	1	
009	252014-7	HEX. LOCK NUT M6-10	1	
010	253010-8	FLAT WASHER 6	1	
011	257752-6	SLEEVE 8	1	
012	257752-6	SLEEVE 8	1	
013	253731-2	FLAT WASHER 8	1	
014	324554-6	LOCK SHAFT	1	
015	345583-6	LOCK LEVER	1	
016	951104-0	SPRING PIN 4-12	1	
024	345530-7	RIVING KNIFE	1	
029	265995-6	TAPPING SCREW 4X18	2	
030	416341-8	COVER	1	
031	265995-6	TAPPING SCREW 4X18	2	
032	687054-0	STRAIN RELIEF	1	
033	154602-5	MOTOR HOUSING COMPLETE	1	
034	181044-0	CARBON BRUSH CB-153	1	
035	643650-4	BRUSH HOLDER CAP 6.5-13.5	2	
036	911383-2	PAN HEAD SCREW M6X60	4	
037	266029-8	TAPPING SCREW 5X65	2	
038	599511-5	FIELD ASS'Y 220-240V	1	
039	416331-1	BAFFLE PLATE	1	
040	211228-7	BALL BEARING 6202DDW	1	
041	253147-1	FLAT WASHER 15	1	
042	510071-4	ARMATURE ASS'Y 220V INC. 40,41,43,44,102	1	
043	681640-9	INSULATION WASHER	1	
044	211088-7	BALL BEARING 6000DDW	1	
045	253198-4	FLAT WASHER 18	1	
046	261129-9	URETHANE WASHER 18	1	
048	921331-3	HEX. BOLT M6X20	2	
049	345525-0	PRESSURE PLATE	1	
050	317871-1	KNIFE HOLDER	1	
053	922334-0	HEX. SOCKET HEAD BOLT M6X20	2	
054	344536-2	GEAR HOUSING PLATE	1	
055	911213-7	PAN HEAD SCREW M5X12	1	
056	154603-3	GEAR HOUSING COMPLETE	1	
057	323736-7	GUIDE BAR	1	
058	266040-0	TAPPING SCREW CT 4X25	4	
059	416340-0	GUIDE BAR RETAINER	2	
060	266040-0	TAPPING SCREW CT 4X25	4	
061	416340-0	GUIDE BAR RETAINER	2	
062	323736-7	GUIDE BAR	1	
063	211051-0	BALL BEARING 609LLB	1	
064	154595-6	SPINDLE COMPLETE INC. 65-68	1	
065	226602-6	HELICAL GEAR 42	1	
066	267170-0	FLAT WASHER 34	1	
067	211278-2	BALL BEARING 6203DDW	1	
068	324556-2	SPINDLE	1	
069	316933-2	BEARING BOX	1	
070	911233-1	PAN HEAD SCREW M5X20	4	
071	931502-4	HEX. NUT M10	1	
072	266040-0	TAPPING SCREW CT 4X25	2	

SPARE PARTS LIST

MODEL NO. 2704

ITEM	PART NO.	DESCRIPTION	QTY	NOTE
073	322968-3	SCREW BAR	1	
074	961016-9	STOP RING E-10	1	
075	416339-5	SCREW BAR RETAINER	1	
076	941302-4	FLAT WASHER 12	1	
077	226747-0	STRAIGHT BEVEL GEAR	1	
078	951116-3	SPRING PIN 4-20	1	
079	226747-0	STRAIGHT BEVEL GEAR	1	
080	941302-4	FLAT WASHER 12	1	
081	951116-3	SPRING PIN 4-20	1	
082	324562-7	LOCK LEVER CONNECTOR	1	
083	253024-7	FLAT WASHER 10	2	
084	231315-6	COMPRESSION SPRING 14	1	
085	322967-5	LOCK LEVER SHAFT	1	
086	922232-8	HEX. SOCKET HEAD BOLT M5X20	1	
087	272248-6	LEVER 120	1	
088	324563-5	HANDLE SHAFT	1	
089	266034-5	TAPPING SCREW CT 4X16	2	
090	253143-9	FLAT WASHER 12	1	
091	213107-5	O RING 12	1	
092	253052-2	FLAT WASHER 12	1	
093	214114-1	PLANE BEARING 12	1	
094	345520-0	STAY	1	
095	344543-5	POINTER	1	
096	922103-9	HEX. SOCKET HEAD BOLT M4X6	1	
097	271074-0	ARM 60	1	
098	911223-4	PAN HEAD SCREW M5X16	1	
099	251382-5	+ PAN HEAD SCREW M5	1	
100	271423-1	KNOB 32	1	
101	267010-2	FLAT WASHER 5	1	
102	240003-4	FAN 80	1	
103	271073-2	HANDLE 100	1	
104	224347-0	OUTER FLANGE 53	1	
105	252155-9	HEX. NUT M12-19	1	
106	224401-0	INNER FLANGE 53	1	
107	273523-3	GRIP	1	
108	345534-9	HANDLE PLATE	1	
109	257161-9	RING 4	1	
110	941051-3	FLAT WASHER 4	1	
111	922116-0	HEX. SOCKET HEAD BOLT M4X12	1	
112	252130-5	HEX. LOCK NUT M10-17	1	
113	941251-5	FLAT WASHER 10	2	
114	911223-4	PAN HEAD SCREW M5X16	4	
115	345539-9	HANDLE PLATE HOLDER	1	
116	345534-9	HANDLE PLATE	1	
117	257161-9	RING 4	1	
118	941051-3	FLAT WASHER 4	1	
119	922116-0	HEX. SOCKET HEAD BOLT M4X12	1	
120	257753-4	SLEEVE 10	1	
121	265536-8	HEX.BOLT M16X65	1	
122	273523-3	GRIP	1	
123	265382-9	HEX. SOCKET HEAD BOLT M5X20	1	
124	324559-6	HOOK RING	1	
125	233229-5	COMPRESSION SPRING 8	1	
126	418655-1	ROD HOLDER	1	
127	418655-1	ROD HOLDER	1	
128	345535-7	JOINT PLATE	1	
130	922116-0	HEX. SOCKET HEAD BOLT M4X12	2	
131	922116-0	HEX. SOCKET HEAD BOLT M4X12	1	
132	941051-3	FLAT WASHER 4	1	
133	257161-9	RING 4	1	
134	324675-4	ROD JOINT	1	

SPARE PARTS LIST

MODEL NO. 2704

ITEM	PART NO.	DESCRIPTION	QTY	NOTE
135	324673-8	ROD R	1	
136	324674-6	ROD F	1	
137	911128-8	PAN HEAD SCREW M4X16	2	
138	911128-8	PAN HEAD SCREW M4X16	2	
140	922116-0	HEX. SOCKET HEAD BOLT M4X12	2	
141	922116-0	HEX. SOCKET HEAD BOLT M4X12	1	
142	941051-3	FLAT WASHER 4	1	
143	257161-9	RING 4	1	
144	324675-4	ROD JOINT	1	
145	911128-8	PAN HEAD SCREW M4X16	2	
146	418655-1	ROD HOLDER	1	
147	911323-0	PAN HEAD SCREW M6X16	2	
148	687049-3	STRAIN RELIEF	1	
149	251308-7	+ PAN HEAD SCREW M4X10	1	
150	664094-5	POWER SUPPLY CORD 1.5-5-0.5	1	
151	345628-0	PLATE	1	
152	416333-7	RACK PLATE	1	
153	911213-7	PAN HEAD SCREW M5X12	2	
154	418655-1	ROD HOLDER	1	
155	233229-5	COMPRESSION SPRING 8	1	
156	324559-6	HOOK RING	1	
157	265382-9	HEX. SOCKET HEAD BOLT M5X20	1	
158	911128-8	PAN HEAD SCREW M4X16	2	
159	318020-3	ADJUST BLOCK	1	
160	344529-9	SLIDE SEAT	2	
161	232174-1	LEAF SPRING	2	
162	345535-7	JOINT PLATE	1	
163	416439-1	DUST GUIDE	1	
164	266034-5	TAPPING SCREW CT 4X16	2	
165	318253-0	FRAME	1	
166	418917-7	DUST JOINT	1	
167	266061-2	TAPPING SCREW BIND CT 4X8	2	
168	154599-8	FRAME COVER COMPLETE	1	
169	911114-9	PAN HEAD SCREW M4X10	1	
170	911333-7	PAN HEAD SCREW M6X20	4	
171	416332-9	FRAME RETAINER	2	
172	265460-5	HEX. BOLT M6X20	2	
174	266300-0	TAPPING SCREW 4X18	2	
175	413097-4	SLIDE COVER	1	
176	266035-3	TAPPING SCREW BIND CT 5X12	4	
177	418918-5	SWITCH BOX	1	
178	682511-3	GROMMET	1	
179	265995-6	TAPPING SCREW 4X18	2	
180	687054-0	STRAIN RELIEF	1	
181	418912-7	SWITCH BASE	1	
183	265995-6	TAPPING SCREW 4X18	2	
184	682511-3	GROMMET	1	
185	265995-6	TAPPING SCREW 4X18	2	
186	687052-4	STRAIN RELIEF	1	
190	266192-7	TAPPING SCREW 4X14	3	
191	816844-6	INNER SCALE PLATE	1	
192	251308-7	+ PAN HEAD SCREW M4X10	1	
193	911253-5	PAN HEAD SCREW M5X30	2	
194	418908-8	INNER RAIL END	1	
195	922146-1	HEX. SOCKET HEAD BOLT M4X25	1	
196	154705-5	FRONT OUTER RAIL COMPLETE	1	
199	317877-9	SUB TABLE	1	
200	317876-1	TABLE	1	
201	922126-7	HEX. SOCKET HEAD BOLT M4X16	1	
202	158104-3	FRONT INNER RAIL COMPLETE	1	
203	911233-1	PAN HEAD SCREW M5X20	4	

SPARE PARTS LIST

MODEL NO. 2704

ITEM	PART NO.	DESCRIPTION	QTY	NOTE
206	418907-0	OUTER RAIL END	1	
207	265045-7	+ PAN HEAD SCREW M5X18	2	
208	125279-3	CENTER COVER ASS'Y INC. 211,212	1	
211	317875-3	CENTER COVER	1	
212	266264-8	H.S.SET SCREW(FLAT POINT)M5X6	4	
214	418907-0	OUTER RAIL END	1	
215	911233-1	PAN HEAD SCREW M5X20	4	
216	317867-2	REAR OUTER RAIL	1	
217	345529-2	RAIL STOPPER	1	
218	251308-7	+ PAN HEAD SCREW M4X10	1	
220	922126-7	HEX. SOCKET HEAD BOLT M4X16	1	
221	158103-5	REAR INNER RAIL COMPLETE	1	
222	345533-1	BASE FRONT COVER	1	
223	266192-7	TAPPING SCREW 4X14	4	
225	911253-5	PAN HEAD SCREW M5X30	2	
226	922146-1	HEX. SOCKET HEAD BOLT M4X25	1	
227	418908-8	INNER RAIL END	1	
228	286212-1	CAP 20	4	
229	154608-3	BASE COMPLETE	1	
230	265995-6	TAPPING SCREW 4X18	2	
231	687052-4	STRAIN RELIEF	1	
232	682516-3	CORD GUARD 9.3-85	1	
233	665865-3	POWER SUPPLY CORD 1.0-2-2.5	1	
234	931302-2	HEX. NUT M6	2	
235	271318-8	KNOB 37	2	
236	941151-9	FLAT WASHER 6	2	
237	921342-8	HEX. BOLT M6X25	2	
238	271320-1	KNOB 37	1	
239	252197-3	HEX.NUT M14	1	
240	421926-7	HOLDER	1	
241	931402-8	HEX. NUT M8	1	
242	253797-2	FLAT WASHER 14	1	
243	265537-6	HEX.BOLT M14X65	1	
244	921462-8	HEX. BOLT M8X40	1	
245	861373-4	2704 NAME PLATE	1	
246	911344-2	PAN HEAD SCREW M6X25	4	
247	317865-6	ANGLE RULE BLOCK	1	
248	266364-4	R.H.S.NECK BOLT M8X35 (S TYPE)	1	
249	345522-6	ANGLE RULE GUIDE	1	
250	256769-6	PIN 6	1	
251	317872-9	ANGLE RAIL	1	
252	266378-3	H.S.SET SCREW(FLAT POINT)M5X5	2	
253	345523-4	ANGLE STOPPER	1	
254	324530-0	SCALE PIN	1	
255	911138-5	PAN HEAD SCREW M4X20	3	
256	931102-0	HEX. NUT M4	3	
257	252650-9	THUMB NUT M8	1	
258	273524-1	GRIP 28	1	
259	922333-2	HEX.SOCKET HD BOLT M6X20	4	
260	317897-3	RULER	1	
261	345521-8	RULE GUIDE	1	
262	317864-8	RULER ADAPTER	1	
263	911108-4	PAN HEAD SCREW M4X8	2	
264	418945-2	LENS	1	
265	418943-6	COVER	1	
266	154699-4	RULE HOLDER COMPLETE	1	
267	265768-7	THUMB SCREW M6X52	2	
268	418948-6	SQUARE GUIDE	1	
269	265954-0	TAPPING SCREW BIND PT3X8	1	
270	231485-1	COMPRESSION SPRING 4	1	

SPARE PARTS LIST

MODEL NO. 2704

ITEM	PART NO.	DESCRIPTION	QTY	NOTE
271	418947-8	RULE HOLDER GUIDE	1	
272	231485-1	COMPRESSION SPRING 4	1	
273	345560-8	LOCK PLATE	1	
274	265155-0	+PAN HEAD SCREW M5X25	1	
275	418946-0	LEVER	1	
276	231297-2	COMPRESSION SPRING 9	1	
277	418944-4	LOCK LEVER	1	
278	253874-0	FLAT WASHER 4	1	
279	266020-6	TAPPING SCREW 4X12	1	
280	911133-5	PAN HEAD SCREW M4X18	4	
281	911238-1	PAN HEAD SCREW M5X22	2	
282	345566-6	HANDLE CAM	1	
283	345559-3	HANDLE CAM SUPPORT	1	
284	256029-6	PIN 8	1	
285	256200-2	PIN 5	1	
286	911118-1	PAN HEAD SCREW M4X12	4	
287	345564-0	LOCK PLATE STAY	1	
288	256200-2	PIN 5	1	
289	345565-8	HOOK JOINT	1	
290	265154-2	+P.H.SCREW M5X655	1	
291	324555-4	NUT M5	1	
292	256262-0	PIN 5	1	
293	345562-4	RULER TOP CONNECTER	1	
294	256262-0	PIN 5	1	
295	231683-7	TORSION SPRING 8	1	
296	313123-8	RULER TOP	1	
297	345563-2	RULER TOP GUIDE	1	
298	911118-1	PAN HEAD SCREW M4X12	2	
299	911118-1	PAN HEAD SCREW M4X12	3	
300	345561-6	RULER TOP SUPPORT	1	
301	256262-0	PIN 5	1	
302	317895-7	RULER TOP HOLDER	1	
303	317874-5	ANGLE RULE	1	
304	122734-6	ANGLE RULE ASS'Y INC. 247-258,303,306-309	1	
305	122739-6	RULER ASS'Y INC. 259-302	1	
306	265160-7	+ COUNTERSUNK HEAD SCREW M4X8	3	
308	267305-3	FLAT WASHER 5/16"	1	
309	419219-4	ANGLE RULE COVER	1	
310	257262-3	RING 16	1	
311	262559-7	SLEEVE 14	1	
312	345536-5	BASE UNDER COVER	1	
313	266192-7	TAPPING SCREW 4X14	4	
314	418618-7	PIN	1	
315	418618-7	PIN	1	
316	418616-1	SWITCH BUTTON ON	1	
317	443103-1	FELT RING 6	1	
318	443103-1	FELT RING 6	1	
319	231025-5	COMPRESSION SPRING 8	1	
320	231025-5	COMPRESSION SPRING 8	1	
321	253186-1	FLAT WASHER 7	1	
322	253186-1	FLAT WASHER 7	1	
323	418617-9	SWITCH BUTTON OFF	1	
324	652772-9	RELAY 305.232.01	1	
325	631613-2	SOFT START CIRCUIT	1	
326	654561-8	TERMINAL BLOCK	1	
327	645006-7	NOISE SUPPRESSOR	1	
328	645105-5	NOISE SUPPRESSOR	1	
329	646049-2	CHOKE COIL	1	
330	265740-9	SCREW M5X15	2	

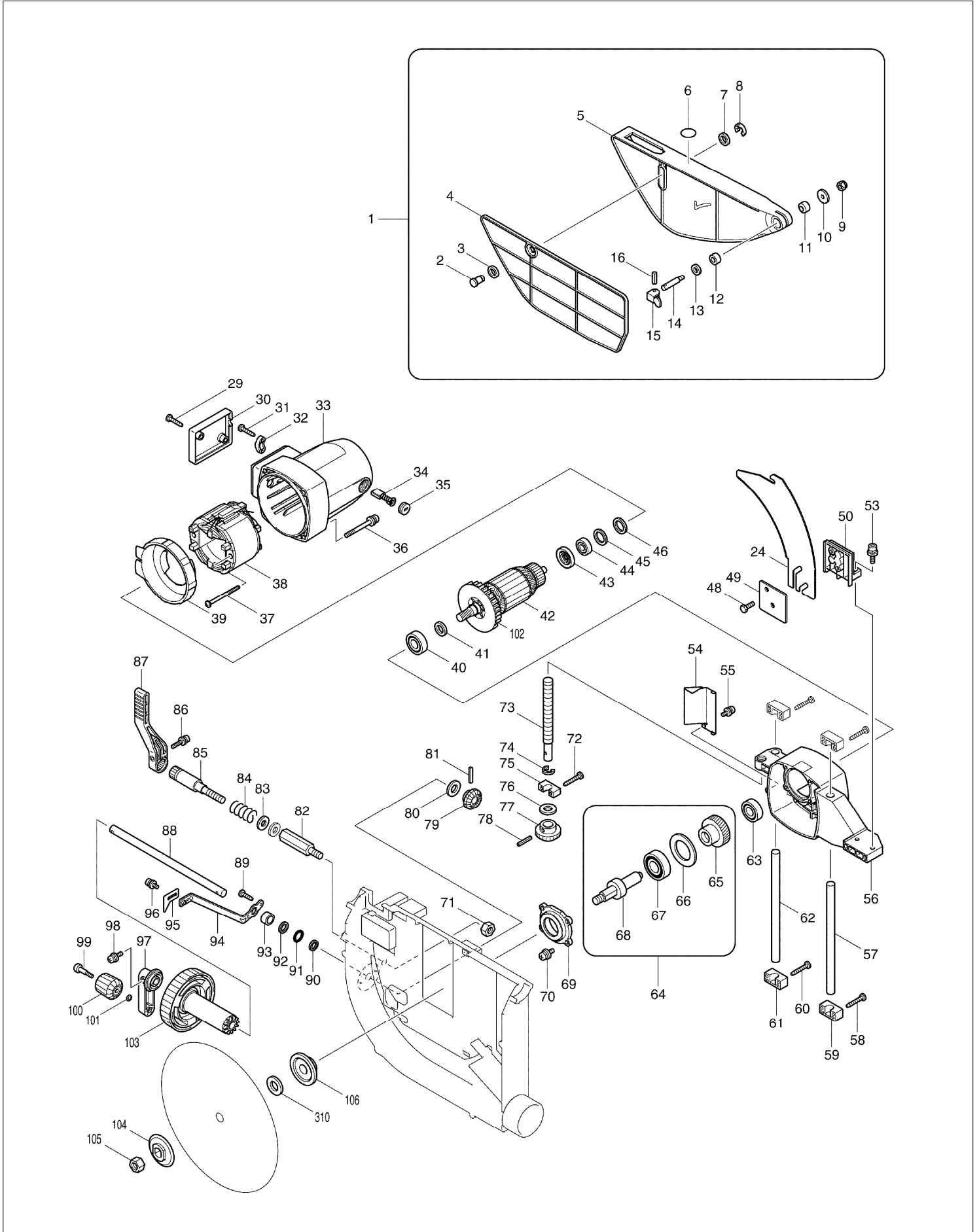
SPARE PARTS LIST

MODEL NO. 2704

ITEM	PART NO.	DESCRIPTION	QTY	NOTE
331	317879-5	SLIDE ROD HOLDER	2	
332	324564-3	REAR ROD	2	
333	345537-3	REAR TABLE	1	
334	922221-3	HEX. SOCKET HEAD BOLT M5X16	4	
335	931502-4	HEX. NUT M10	2	
336	961016-9	STOP RING E-10	2	
337	911233-1	PAN HEAD SCREW M5X20	1	
A01	B-17712	T.C.T. SAW BLADE 260X30X24T	1	
A02	419093-0	JOINT	1	
A03	416772-1	PUSH STICK	1	
A04	781038-1	WRENCH 19	1	
A05	782024-5	WRENCH 13-22	1	
A06	783203-8	HEX. WRENCH 5	1	
E01	213023-1	O RING 4	1	

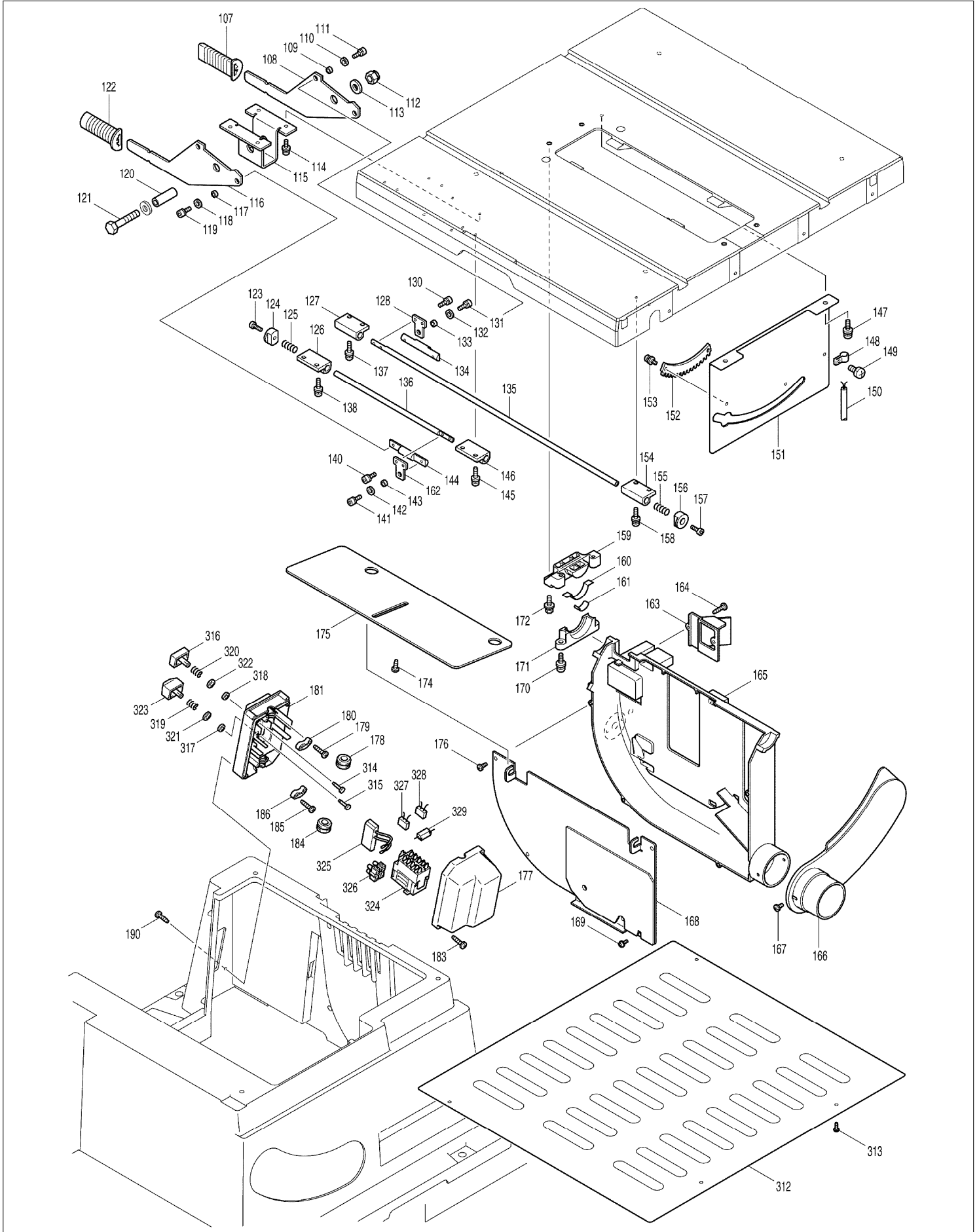
SERVICE DRAWING

MODEL NO. 2704



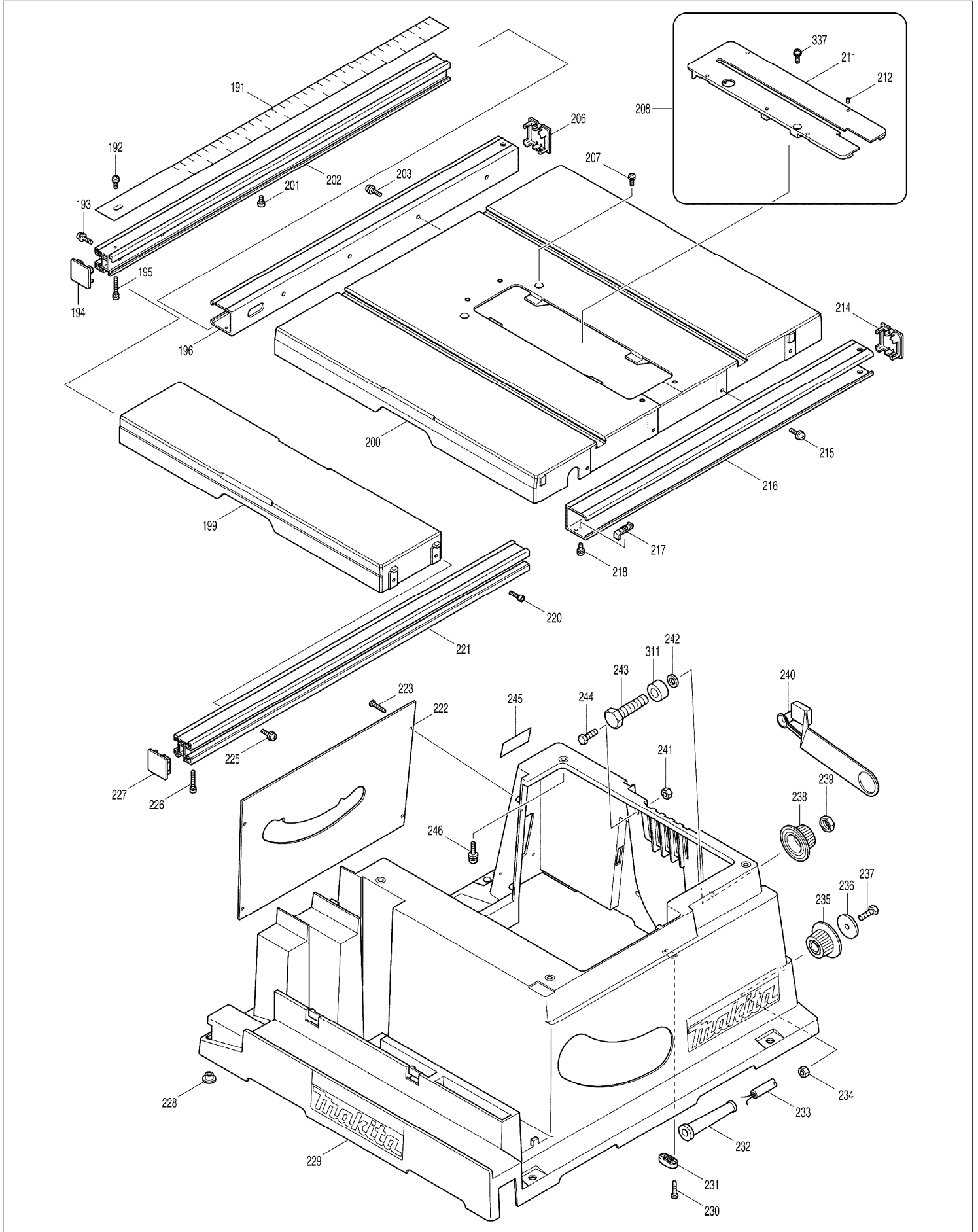
SERVICE DRAWING

MODEL NO. 2704



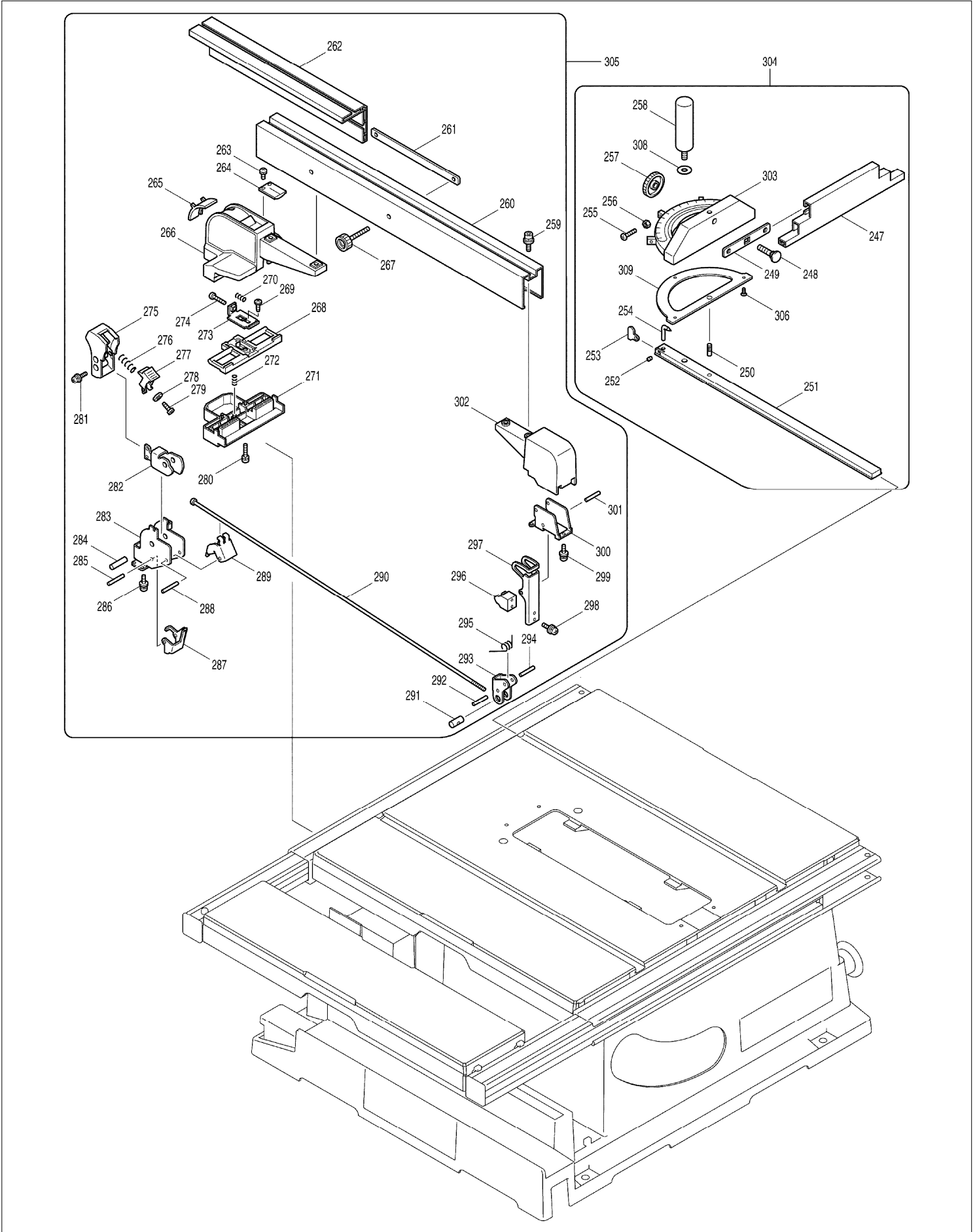
SERVICE DRAWING

MODEL NO. 2704



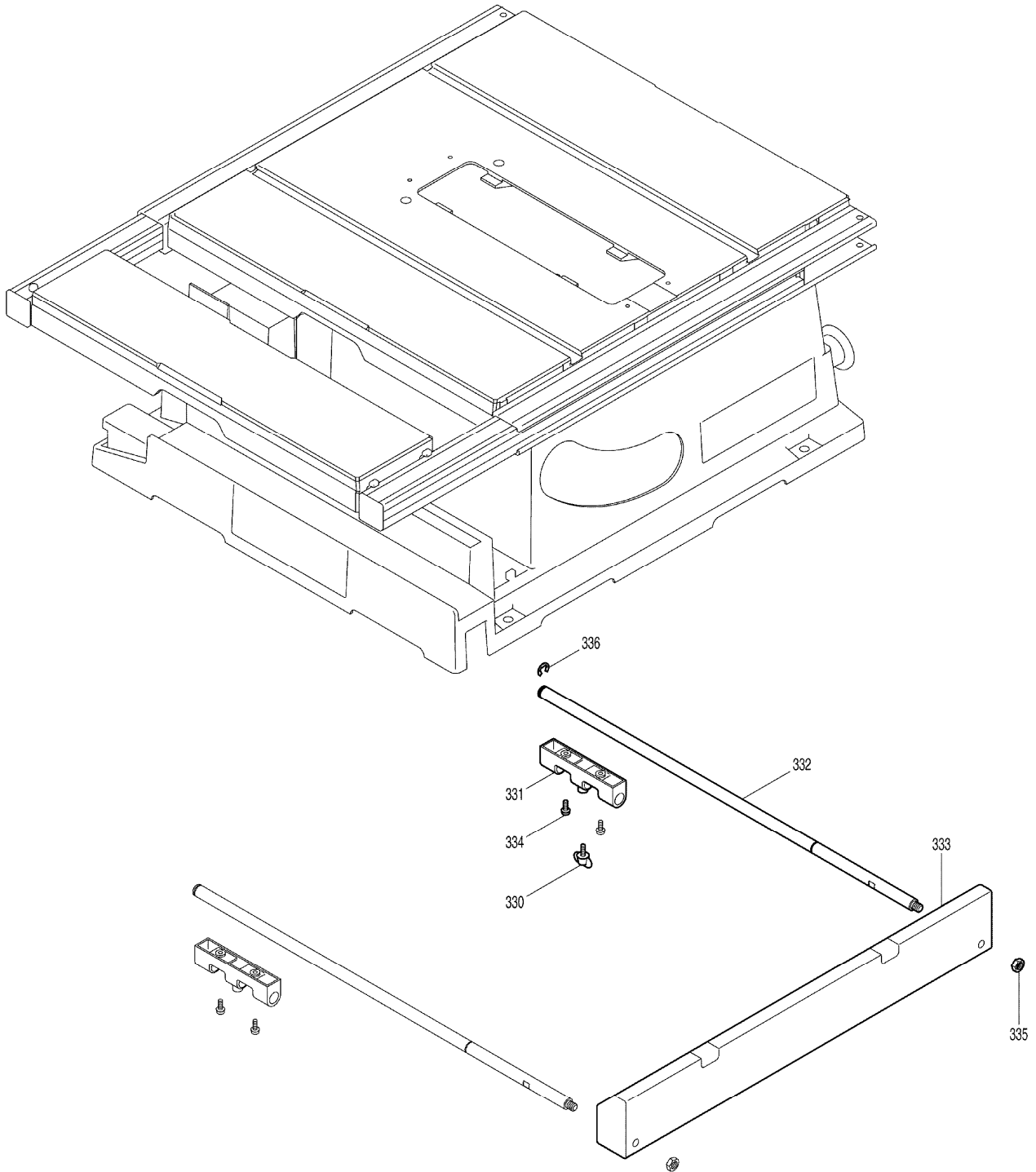
SERVICE DRAWING

MODEL NO. 2704



SERVICE DRAWING

MODEL NO. 2704



SERVICE DRAWING

MODEL NO. 2704

