

SPARE PARTS LIST

MODEL NO. 2012

ITEM	PART NO.	DESCRIPTION	QTY	NOTE
001	211106-1	BALL BEARING 6201LLB	1	
002	253899-4	FLAT WASHER 12	1	
003	524853-8	FIELD ASS'Y 220V	1	220V
004	514908-7	ARMATURE ASS'Y 220V INC. 1,2,5-7	1	220V
005	241117-2	FAN 92	1	
006	213051-6	DUST SEAL 10	1	
007	211066-7	BALL BEARING 6200LLB	1	
008	343560-2	FAN GUIDE	1	
009	263002-9	RUBBER PIN 4	1	
010	911300-2	PAN HEAD SCREW M5X75	2	
011	263002-9	RUBBER PIN 4	1	
012	912252-0	COUNTERSUNK HEAD SCREW M5X30	2	
013	164907-5	BELT COVER	1	
014	225066-1	POLY V-BELT 8-328	1	
015	222112-1	V-PULLEY 8-23.5L	1	
016	265854-4	HEX. SOCKET HEAD BOLT M6X12	1	
017	222113-9	V-PULLEY 8-57.5	1	
018	911211-1	PAN HEAD SCREW M5X12	10	
019	343557-1	SIDE PLATE (L)	1	
020	159049-8	MOTOR HOUSING INC. 11	1	
021	157994-1	GEAR HOUSING INC. 9	1	
022	856230-9	NAME PLATE 2012	1	
023	643650-4	BRUSH HOLDER CAP 6.5-13.5	2	
024	181044-0	CARBON BRUSH CB-153	1	
025	681002-1	INSULATION WASHER	2	
026	343578-3	SWITCH COVER	1	
027	912117-6	COUNTERSUNK HEAD SCREW M4X12	2	
028	911256-9	PAN HEAD SCREW M5X35	4	
029	652103-2	HEX. NUT M12	2	
030	652014-1	PAN HEAD SCREW M4X8	1	
031	645261-1	NOISE SUPPRESSOR	1	
032	651758-0	SWITCH ABK265	1	
033	652101-6	HEX. NUT M12	2	
034	652061-2	WASHER 12	2	
035	343558-9	SWITCH PLATE	1	
036	253715-0	FLAT WASHER 6	1	
037	226083-4	GEAR COMPLETE 8-51	1	
038	253715-0	FLAT WASHER 6	1	
039	253215-0	FLAT WASHER 8	1	
040	226084-2	GEAR COMPLETE 8-47	1	
041	253215-0	FLAT WASHER 8	1	
042	157995-9	GEAR HOUSING COVER	1	
043	911291-7	PAN HEAD SCREW M5X70	2	
045	254001-2	WOODRUFF KEY 4	1	
046	253758-2	FLAT WASHER 10	1	
047	221769-5	HELICAL GEAR 47	1	
048	322836-0	DRIVE SHAFT	1	
049	322229-1	GAUGE	1	
050	253760-5	FLAT WASHER 14	1	
051	225511-6	CHAIN 35-44	1	
052	961052-5	RETAINING RING S-12	1	
053	221520-3	SPROCKET 12	1	
054	922256-4	HEX. SOCKET HEAD BOLT M5X35	2	
055	152339-8	MAIN FRAME COMPLETE INC. 82	1	
056	922256-4	HEX. SOCKET HEAD BOLT M5X35	2	
057	152340-3	BEARING BOX COMPLETE INC. 79	1	

SPARE PARTS LIST

MODEL NO. 2012

ITEM	PART NO.	DESCRIPTION	QTY	NOTE
058	912116-8	COUNTERSUNK HEAD SCREW M4X12	4	
059	231779-4	TENSION SPRING 6	1	
060	251445-7	- FLAT HEAD SCREW M4	1	
061	343561-0	LOCK PLATE	1	
062	251283-7	+ PAN HEAD SCREW M5	1	
063	911218-7	PAN HEAD SCREW M5X14	2	
064	321205-2	METAL HOLDER	1	
065	214251-1	PLANE BEARING 17	1	
066	231459-2	COMPRESSION SPRING 13	1	
067	162186-9	ROLLER 34-295	1	
068	911218-7	PAN HEAD SCREW M5X14	2	
069	321205-2	METAL HOLDER	1	
070	221520-3	SPROCKET 12	1	
071	961052-5	RETAINING RING S-12	1	
072	231459-2	COMPRESSION SPRING 13	1	
073	214251-1	PLANE BEARING 17	1	
075	251609-3	HEX. FLANGE HEAD BOLT M6X17	12	
076	343682-8	SET PLATE	2	
077	793346-8	PLANER BLADE 306	1	
078	254204-8	KEY 4	1	
079	263002-9	RUBBER PIN 4	1	
080	211206-7	BALL BEARING 6202LLB	1	
081	161112-5	DRUM	1	
082	263002-9	RUBBER PIN 4	1	
083	211206-7	BALL BEARING 6202LLB	1	
084	285661-9	BEARING RETAINER	1	
085	912116-8	COUNTERSUNK HEAD SCREW M4X12	2	
086	911218-7	PAN HEAD SCREW M5X14	2	
087	321205-2	METAL HOLDER	1	
088	221520-3	SPROCKET 12	1	
089	961052-5	RETAINING RING S-12	1	
090	231459-2	COMPRESSION SPRING 13	1	
091	231460-7	COMPRESSION SPRING 7	1	
092	214251-1	PLANE BEARING 17	1	
094	162186-9	ROLLER 34-295	1	
095	911218-7	PAN HEAD SCREW M5X14	2	
096	321205-2	METAL HOLDER	1	
097	214251-1	PLANE BEARING 17	1	
098	231459-2	COMPRESSION SPRING 13	1	
099	265323-5	HEX. FLANGE HEAD BOLT M5X10	2	
100	164908-3	CHIP COVER	1	
102	256634-9	PIN 8	1	
103	271408-7	KNOB 20	1	
104	272025-6	HANDLE 120	1	
105	961012-7	STOP RING E-6	1	
106	911211-1	PAN HEAD SCREW M5X12	10	
107	164906-7	CHAIN COVER	1	
108	912252-0	COUNTERSUNK HEAD SCREW M5X30	2	
109	911229-2	PAN HEAD SCREW M5X18	1	
110	257600-9	SLEEVE 6	1	
111	231588-1	TORSION SPRING 9	1	
112	682539-1	GROMMET	1	
113	150086-5	SIDE PLATE R COMPLETE	1	
114	911111-5	PAN HEAD SCREW M4X10	1	
115	687647-3	STRAIN RELIEF	1	
116	682539-1	GROMMET	1	
117	666333-9	POWER SUPPLY CORD 1.00-3-2.5	1	220V
118	253760-5	FLAT WASHER 14	1	
119	322749-5	SCREW (R)	1	
120	211325-9	BALL BEARING 6804ZZ	1	
122	343565-2	INDICATOR	1	

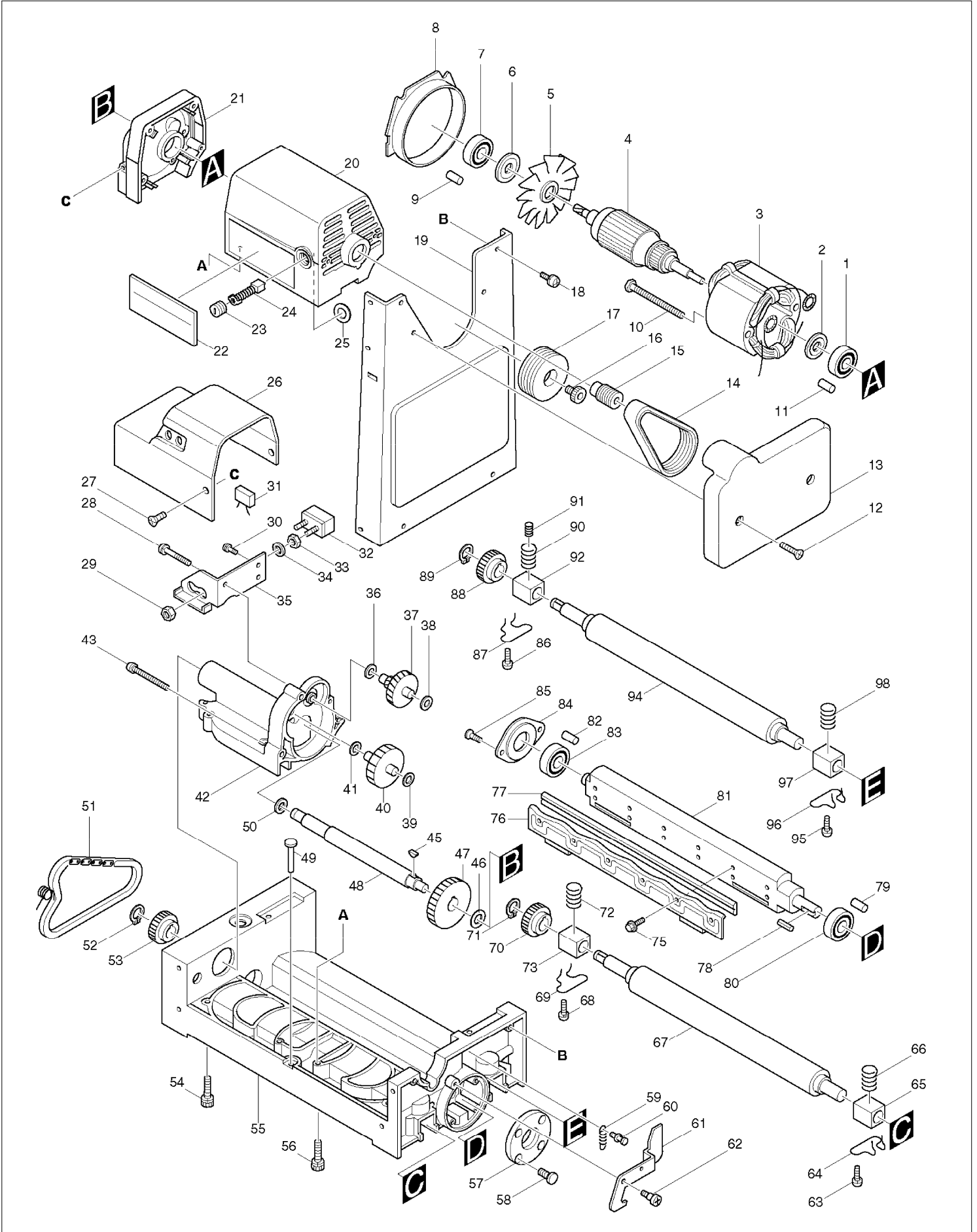
SPARE PARTS LIST

MODEL NO. 2012

ITEM	PART NO.	DESCRIPTION	QTY	NOTE
123	911114-9	PAN HEAD SCREW M4X10	1	
124	251217-0	+ BINDING HEAD SCREW M8	4	
125	253932-2	WAVE WASHER 10	4	
126	164905-9	SUB TABLE	2	
127	265921-5	H.S.SET SCREW(FLAT POINT)M6X22	4	
128	931303-0	HEX. NUT M6	4	
129	211325-9	BALL BEARING 6804ZZ	1	
130	253744-3	FLAT WASHER 12	1	
131	221520-3	SPROCKET 12	1	
133	225515-8	CHAIN 35-85	1	
134	911111-5	PAN HEAD SCREW M4X10	6	
135	343564-4	UNDER PLATE	1	
136	961052-5	RETAINING RING S-12	1	
137	221520-3	SPROCKET 12	1	
138	152341-1	BASE COMPLETE	1	
139	911211-1	PAN HEAD SCREW M5X12	4	
140	343563-6	GUIDE PLATE	2	
141	253744-3	FLAT WASHER 12	1	
142	211325-9	BALL BEARING 6804ZZ	1	
143	316091-4	TABLE	1	
144	251314-2	+ SCREW M4X12	8	
145	343562-8	TABLE PLATE	1	
146	211325-9	BALL BEARING 6804ZZ	1	
148	322750-0	SCREW (L)	1	
149	253760-5	FLAT WASHER 14	1	
150	913206-0	SET SCREW M5X8	1	
151	251889-1	SCREW M5X16	1	
152	231240-1	COMPRESSION SPRING 7	1	
153	263003-7	NYLON PIN 5	1	
154	252014-7	HEX. LOCK NUT M6-10	1	
155	253196-8	FLAT WASHER 6	1	
156	253759-0	FLAT WASHER 12	1	
400	762014-4	MAGNETIC HOLDER	2	
401	782203-5	SOCKET WRENCH 9	1	
402	781202-4	WRENCH 10-13	1	
403	783201-2	HEX. WRENCH 3	1	

SERVICE DRAWING

MODEL NO. 2012



SERVICE DRAWING

MODEL NO. 2012

