

CHAMPION

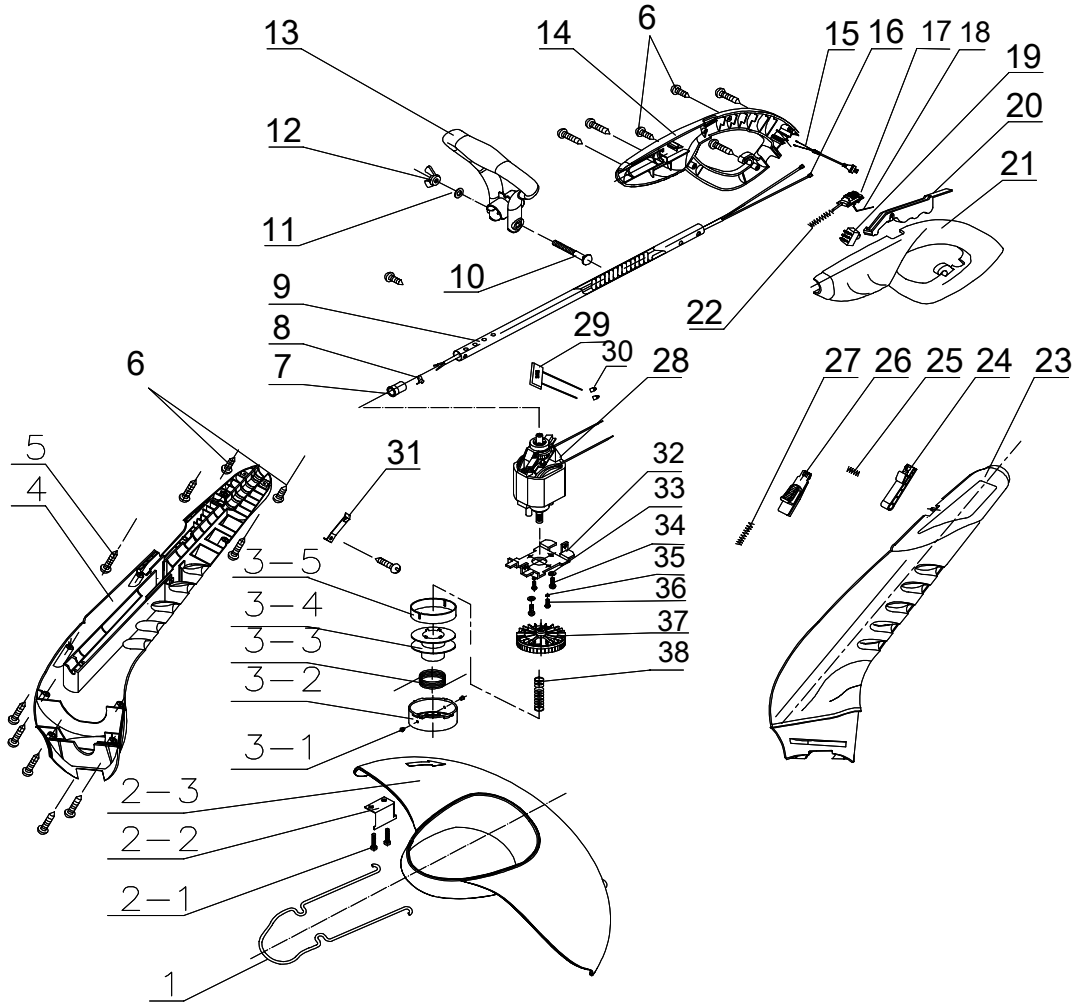
CHAMPION ET 380

CHAMPION

10" String Trimmer

ET 380

SPARE PARTS LIST



No.	STK CODE	Parts No.	Description	Q	No.	STK CODE	Parts No.	Description	Q
1	C	6036-230201	PROJECTIVE GUARD	1	16	B	6010-202603	WIRE	1
2	C	6228-202601	GUARD ASS'Y	1	17	C	6056-202604	BUTTON	1
2-1	B	6SDABB04-10	SCREW	2	18	C	6158-202601	GUIDE PLATE	1
2-2	C	6250-202503	WIRE CUTTING BLADE	1	19	B	6022-2026T1	SWITCH	1
2-3	C	6262-202601	GUARD	1	20	C	6028-230002	TRIGGER	1
3	A	6228-202004A	SPOOL CARRIER ASS'Y	1	21	C	6068-2026T1	UPPER HANDGRIP (L)	1
3-1	C	6140-B23101	PILOT	2	22	B	6024-202605	SPRING	1
3-2	C	6059-202005A	SPOOL COVER	1	23	C	6038-202601	HOUSING (L)	1
3-3	A	6194-202001	WIRE-CUTTING 9m	1	24	C	6021-202602	DETENT	1
3-4	C	6008-202001A	SPOOL CARRIER	1	25	B	6024-202001	SPRING	1
3-5	C	6059-202004	SPOOL COVER	1	26	C	6056-202602	BUTTON	1
4	C	6038-202602	HOUSING (R)	1	27	C	6024-202603	SPRING	1
5	B	6SDABB04-18	SCREW	15	28	B	6099-202004	MOTOR	1
6	B	6SDABB04-14	SCREW	4	29	B	6153-832501	CAPACITOR	1
7	C	6017-230101	JACKET	1	30	C	6154-840001	TRIMINAL BLOCK	2
8	C	6056-202603	SNAP BUTTON	1	31	B	6024-202601	SPRING	1
9	C	6114-202602	TUBING	1	32	C	6072-202601	MOTOR PLATE	1
10	B	6SHDB-06-52	SCREW	1	33	B	6WSB-04	SPRING WASHER	2
11	C	6WFB-06	WASHER	1	34	C	6SDAB-04-10	SCREWE	2
12	B	6NBB-06	NUT	1	35	C	6WSB-03	SPRING WASHER	2
13	C	6196-202601	CENTRAL HANDGRIP	1	36	C	6SDAE-03-08	SCREWE	2
14	C	6068-2026T2	UPPER HANDGRIP (R)	1	37	A	6270-202003	CUTTER ASS'Y	1
15	C	6011-202601	POWER CORD	1	38	B	6024-202604	SPRING	1

REVISION	DATE
V1	2007.9.27